



BCS Motor mowers, BCS 2-wheel tractors

615L MAX

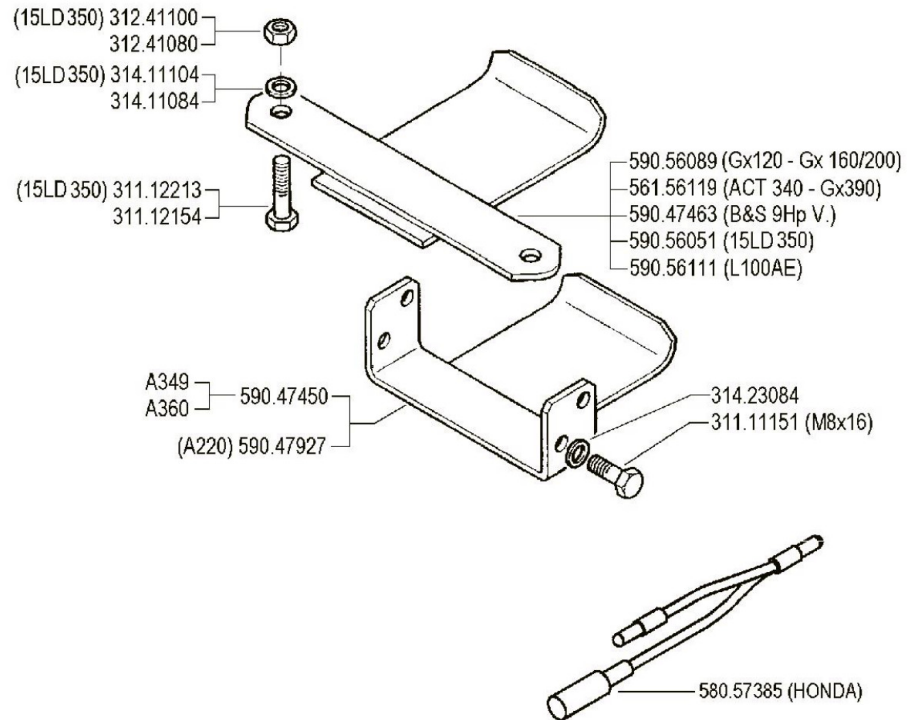
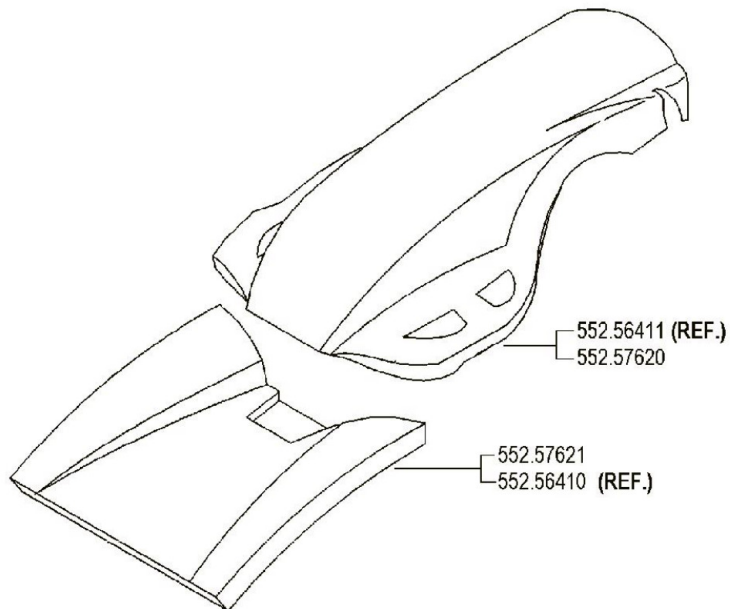
01/09/2021

A60001 - 615L MAX.....	4
C01_0_48436 - ENGINE GUARDS.....	7
C01_1_71645 - ENGINE GUARDS.....	9
C01_2_114573 - ENGINE GUARDS.....	11
C01_3_141367 - ENGINE GUARDS.....	13
C.01.02.A0019_04 - ENGINE GUARDS.....	15
D01_0_48486 - CLUTCH.....	17
D01_1_60103 - CLUTCH.....	19
D01_2_68590 - CLUTCH.....	21
D01_3_99994 - CLUTCH.....	23
D01_4_124744 - CLUTCH.....	25
D.01.02.A0019_05 - CLUTCH.....	27
D.01.02.A0019_06 - CLUTCH.....	29
D.01.02.A0051_07 - CLUTCH.....	31
E01_0_48515 - GEARBOX.....	33
E01_1_49476 - GEARBOX.....	36
E01_2_114659 - GEARBOX.....	39
E01_3_141434 - GEARBOX.....	42
E.01.02.A0019_04 - GEARBOX.....	45
F02_0_48647 - GEARS.....	47
F02_1_100023 - GEARS.....	50
F02_2_114755 - GEARS.....	53
F.02.02.A0019_03 - GEARS.....	56
F.02.02.A0019_04 - GEARS.....	59
G01_0_48726 - WHEEL AXLE.....	62
F.02.02.A0019_05 - GEARS.....	64
G01_1_71746 - WHEEL AXLE.....	67
H01_0_48846 - STEERING COLUMN.....	69
H01_1_100127 - STEERING COLUMN.....	72



H01_2_114851 - STEERING COLUMN.....	75
H01_3_141672 - STEERING COLUMN.....	78
I01_0_48952 - HANDLEBAR.....	81
I01_1_65554 - HANDLEBAR.....	84
I01_2_114923 - HANDLEBAR.....	87
I01_3_141901 - HANDLEBAR.....	91
I.01.02.A0019_04 - HANDLEBAR.....	93
J01_0_49186 - CONTROLS.....	95
J01_1_114972 - CONTROLS.....	98
J01_2_142122 - CONTROLS.....	101
J.01.02.A0019_03 - CONTROLS.....	104
J04_0_142261 - HANDLEBAR CONTROLS.....	107
L01_0_49309 - WHEELS.....	109
L01_1_60132 - WHEELS.....	112
L01_2_100224 - WHEELS.....	115
L01_3_142628 - WHEELS.....	118
M01_0_49361 - STICKERS.....	121
M01_1_71870 - STICKERS.....	123
M01_2_115232 - STICKERS.....	125
M01_3_150907 - STICKERS.....	127
M.01.02.A0019_04 - STICKERS.....	129
M02_0_49377 - STICKERS.....	131
M02_1_71887 - STICKERS.....	133
M02_2_115061 - STICKERS.....	135
M02_3_150939 - STICKERS.....	137





600 serie **MAX**

RIPARI MOTORE (615M - 615LM - 615SM)

ENGINE GUARDS
PROTECCIONES MOTOR

PROTECTIONS MOTEUR
MOTOR SCHUTZ

DALLA MACCHINA
DE LA MAQUINA
DE LA MACHINE
FROM THE MACHINE
AB DER MASCHINE

N.

C01

Rev.
0

09/2004

ZENNE



Pos.	Id	Q.ty	Description	Note
31111151	31111151	1	SCREW TE M8X16 UNI 5739 8G	
31112154	31112154	1	SCREW TE M8X40 UNI 5739 8G	
31112213	31112213	1	SCREW TE M10X40 UNI 5739	
31241080	31241080	1	HEXAGON SELFLOCK NUT M8	
31241100	31241100	1	SELFLOCK HEXAGON NUT M10	
31411084	31411084	1	WASHER 8,4x17	
31411104	31411104	1	WASHER 10,5x18	
31423084	31423084	1	SPRING WASHER 8,4	
55256410	55256410	1	GUARD	
55256411	55256411	1	GUARD	
55257620	55257620	1	GUARD	
55257621	55257621	1	GUARD	
56156119	56156119	1	SHIELD	
58057385	58057385	1	LINE	
59047450	59047450	1	SHIELD	
59047463	59047463	1	ENGINE PROTECTION	
59047927	59047927	1	SHIELD	
59056051	59056051	1	SHIELD	
59056089	59056089	1	SHIELD	
59056111	59056111	1	SHIELD	



600M O

- 56156990
- 31121007
- 31421083

- (15LD350) 31241100
- 31241080
- (15LD350) 31411104
- 31411084

- (15LD350) 31112213
- 31112154

- (Gx120 - Gx160 / 200) 59056089
- (ACT340 - Gx240 / 390) 56156119
- (B&S9Hp V.) 59047463
- (15LD350) 59056051
- (L100AE) 59056111

- A349 } 59047450
- A360 } 59047927
- (A220) 59047927
- 31423084
- 31111151
- (HONDA) 58057385

- 55256411 (REF.)
- 55257620

- 55257621
- 55256410 (REF.)



600 serie MAX

RIPARIMOTORE (600M O - 615M - 615LM - 615SM)

ENGINE GUARDS
PROTECCIONES MOTOR

PROTECTIONS MOTEUR
MOTOR SCHUTZ

DALLA MACCHINA
DE LA MAQUINA
DE LA MACHINE
FROM THE MACHINE
AB DER MASCHINE

ON.

AGGIORNAMENTO
REVISION
MISE A JOUR
APLAZAMIENTO
ANPASSUNG

C01

06/2006

Rev. 1

ZEN



Pos.	Id	Q.ty	Description	Note
31111151	31111151	1	SCREW TE M8X16 UNI 5739 8G	
31112154	31112154	1	SCREW TE M8X40 UNI 5739 8G	
31112213	31112213	1	SCREW TE M10X40 UNI 5739	pippo
31121007	31121007	1	SCREW BCEI M8X20 ISO7380	
31241080	31241080	1	HEXAGON SELFLOCK NUT M8	
31241100	31241100	1	SELFLOCK HEXAGON NUT M10	
31411084	31411084	1	WASHER 8,4x17	
31411104	31411104	1	WASHER 10,5x18	
31421083	31421083	1	WASHER	
31423084	31423084	1	SPRING WASHER 8,4	
55256410	55256410	1	GUARD	
55256411	55256411	1	GUARD	
55257620	55257620	1	GUARD	
55257621	55257621	1	GUARD	
56156119	56156119	1	SHIELD	
56156990	56156990	1	BODYWORK	
58057385	58057385	1	LINE	
59047450	59047450	1	SHIELD	
59047463	59047463	1	ENGINE PROTECTION	
59047927	59047927	1	SHIELD	
59056051	59056051	1	SHIELD	
59056089	59056089	1	SHIELD	
59056111	59056111	1	SHIELD	



600M

56156990B
31121007
31421083

(15LD350) 31241100
31241080
(15LD350) 31411104
31411084

(15LD350) 31112213
31112154

(15LD350) 59056051N
(L100AE) 59056111N
(Gx120/160/200/270) 59056089N
(ACT340-Gx240/390) 56156119N

58056991 0
56157399N 0

0 31112093

55256411 (REF.)
55257620

55257621
55256410 (REF.)

56157393N 0
31411064 0
31241060 0
58048035 0

(HONDA) 58057385



600 serie **MAX**

RIPARIMOTORE (600M-615M-615LM-615SM-615SLM0)

ENGINE GUARDS
PROTECCIONESMOTOR

PROTECTIONS MOTEUR
MOTOR SCHUTZ

DALLA MACCHINA
DE LA MAQUINA
DE LA MACHINE
FROM THE MACHINE
AB DER MASCHINE

ON.

AGGIORNAMENTO
REVISION
MISE A JOUR
APLAZAMIENTO
ANPASSUNG

C01 **2**

01/2009

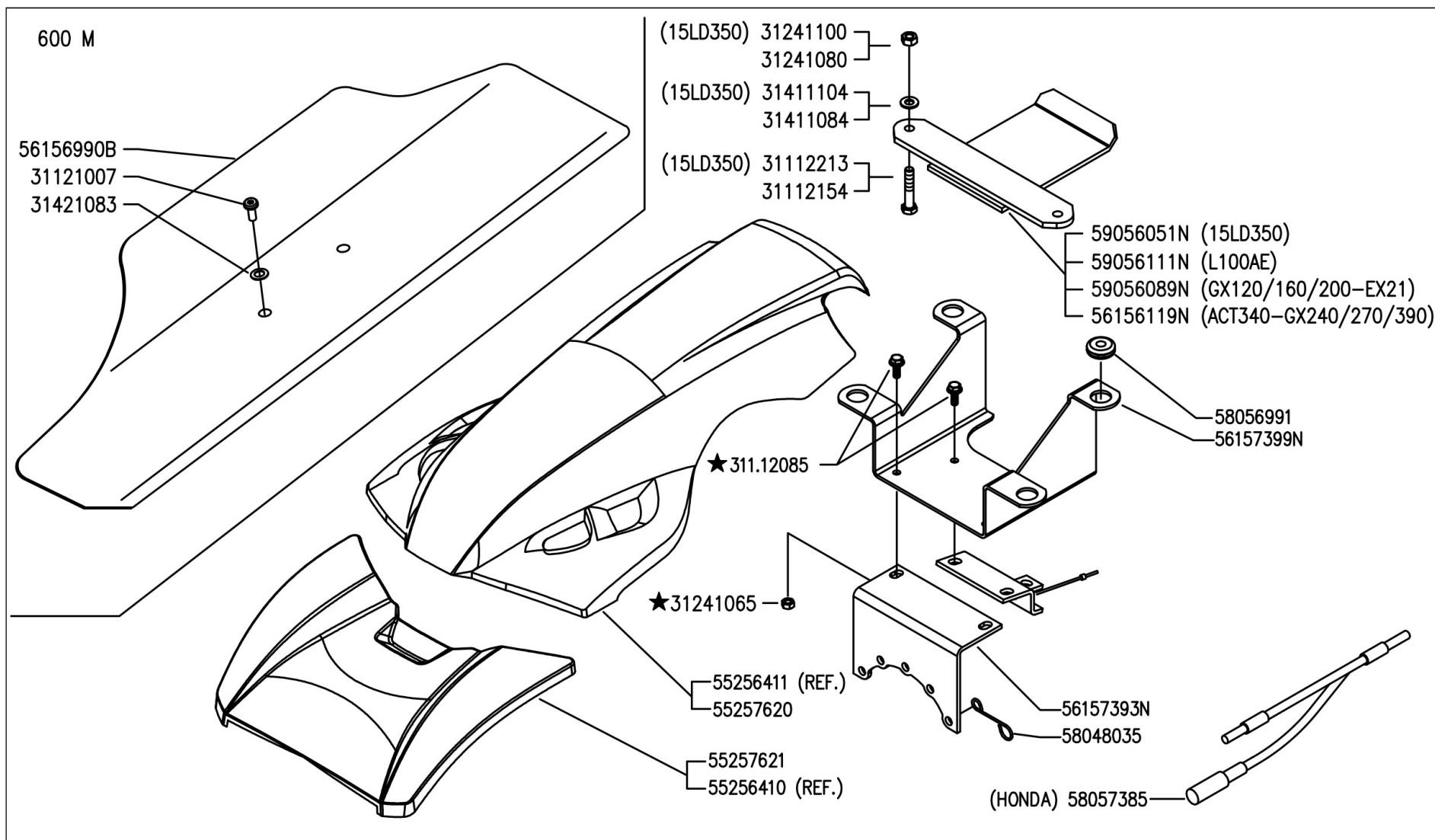
Rev.

2



Pos.	Id	Q.ty	Description	Note
31112093	31112093	1	SCREW TE M6X20	
31112154	31112154	1	SCREW TE M8X40 UNI 5739 8G	
31112213	31112213	1	SCREW TE M10X40 UNI 5739	
31121007	31121007	1	SCREW BCEI M8X20 ISO7380	
31241060	31241060	1	HEXAGON SELFLOCK NUT M6	
31241080	31241080	1	HEXAGON SELFLOCK NUT M8	
31241100	31241100	1	SELFLOCK HEXAGON NUT M10	
31411064	31411064	1	WASHER 6,4x12,5	
31411084	31411084	1	WASHER 8,4x17	
31411104	31411104	1	WASHER 10,5x18	
31421083	31421083	1	WASHER	
55256410	55256410	1	GUARD	
55256411	55256411	1	GUARD	
55257620	55257620	1	GUARD	
55257621	55257621	1	GUARD	
58048035	58048035	1	HOLDER	
58056991	58056991	1	CABLE GLAND 90/200/30	
58057385	58057385	1	LINE	
59056111	59056111	1	SHIELD	
56156119N	56156119N	1	SHIELD	
56156990B	56156990B	1	BODYWORK	
56157393N	56157393N	1	HOLDER	
56157399N	56157399N	1	HOLDER	
59056051N	59056051N	1	SHIELD	
59056089N	59056089N	1	SHIELD	





600 serie MAX

RIPARI MOTORE (600M-615M-615LM-615SM-615SLM)

ENGINE GUARDS
PROTECCIONES MOTOR

PROTECTIONS MOTEUR
MOTORSCHUTZ

DALLA MACCHINA
DE LA MAQUINA
FROM THE MACHINE
AB DER MASCHINE

★ N.

AGGIORNAMENTO
APLAZAMIENTO
MISE A JOUR
REVISION
ANPASSUNG

C01

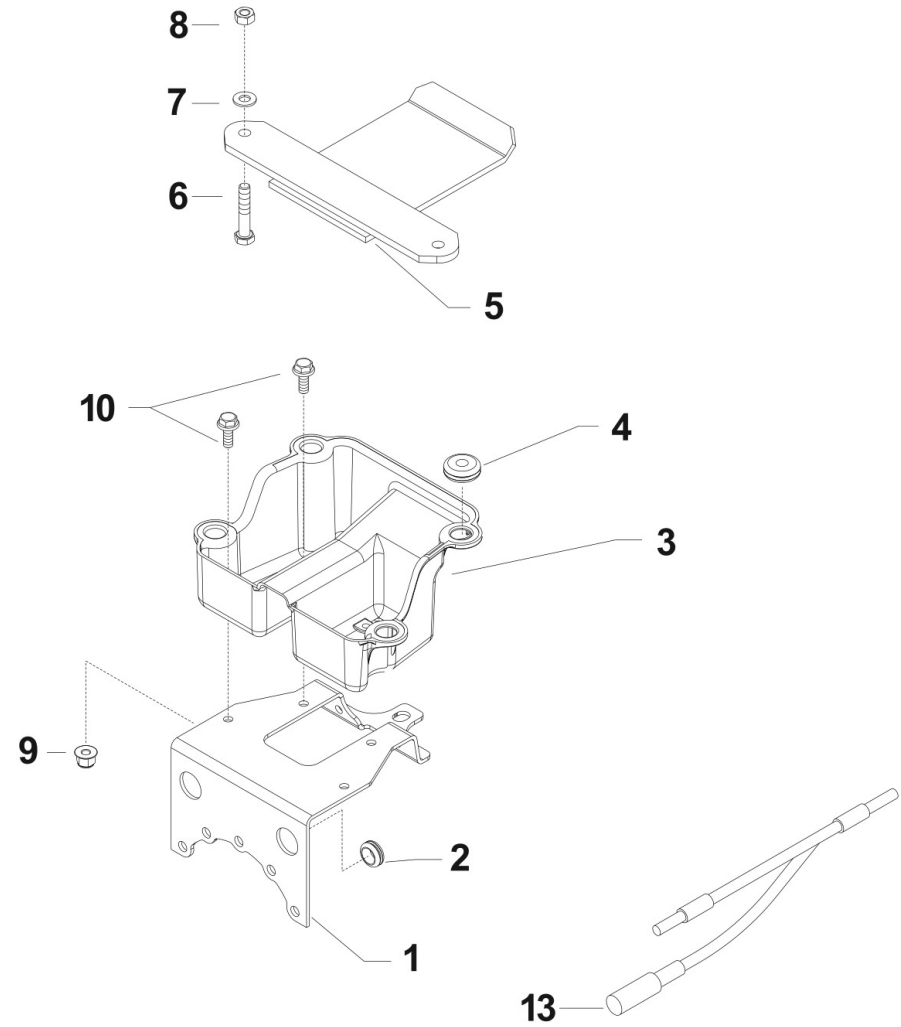
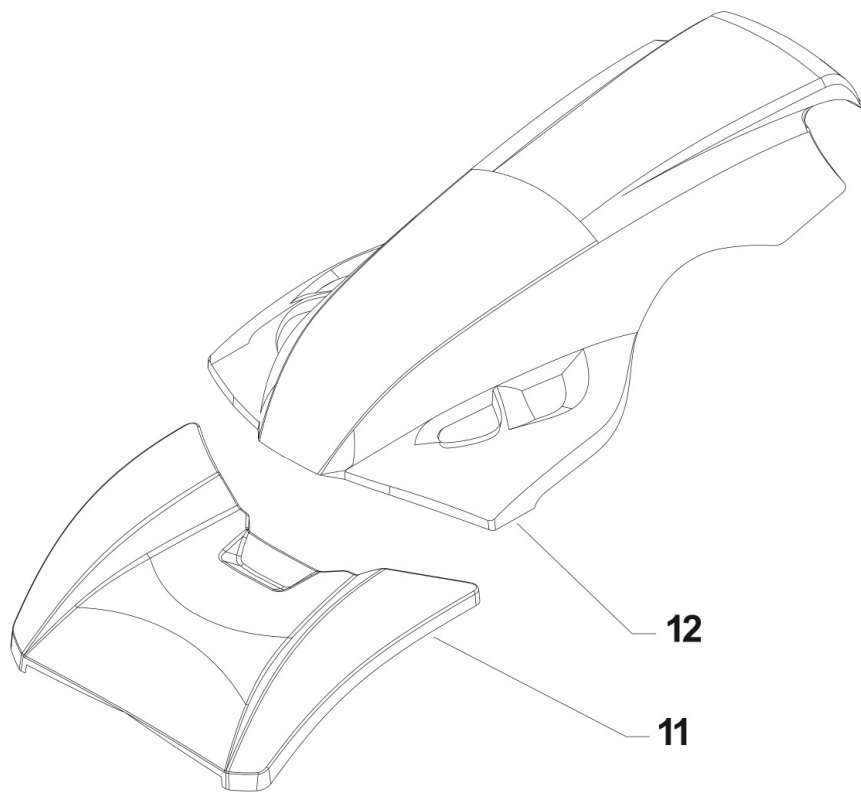
Rev.
3

09/2010



Pos.	Id	Q.ty	Description	Note
31112085	31112085	1	SCREW TE M6X16 DIN 6921 8G	
31112154	31112154	1	SCREW TE M8X40 UNI 5739 8G	
31112213	31112213	1	SCREW TE M10X40 UNI 5739	
31121007	31121007	1	SCREW BCEI M8X20 ISO7380	
31241065	31241065	1	SELFLOCK NUT M6	
31241080	31241080	1	HEXAGON SELFLOCK NUT M8	
31241100	31241100	1	SELFLOCK HEXAGON NUT M10	
31411064	31411064	1	WASHER 6,4x12,5	
31411084	31411084	1	WASHER 8,4x17	
31411104	31411104	1	WASHER 10,5x18	
31421083	31421083	1	WASHER	
55256410	55256410	1	GUARD	
55256411	55256411	1	GUARD	
55257620	55257620	1	GUARD	
55257621	55257621	1	GUARD	
58048035	58048035	1	HOLDER	
58056991	58056991	1	CABLE GLAND 90/200/30	
58057385	58057385	1	LINE	
59056111	59056111	1	SHIELD	
56156119N	56156119N	1	SHIELD	
56156990B	56156990B	1	BODYWORK	
56157393N	56157393N	1	HOLDER	
56157399N	56157399N	1	HOLDER	
59056051N	59056051N	1	SHIELD	
59056089N	59056089N	1	SHIELD	





Pos.	Id	Q.ty	Description	Note
1	561C1002N		HOLDER	
2	581C1004		CABLE GLAND	
3	552C1001		FAIRINGS BOX	Replaces 56157399N
4	58056991		CABLE GLAND 90/200/30	
5	56156119N		SHIELD	ACT340/GX240/GX270/GX390
5	59056051N		SHIELD	15LD350
5	59056089N		SHIELD	GX120/GX160/GX200/EX21
5	59056111N		SHIELD	L100AE
6	31112154		SCREW TE M8X40 UNI 5739 8G	
6	31112213		SCREW TE M10X40 UNI 5739	15LD350
7	31411084		WASHER 8,4x17	
7	31411104		WASHER 10,5x18	15LD350
8	31241080		HEXAGON SELFLOCK NUT M8	
8	31241100		SELFLOCK HEXAGON NUT M10	15LD350
9	31241066		SELFLOCK M6 FL NY DIN 6926	
10	31112081		SCREW TE C/F M6X20 DIN 6921 8G	
11	55256410		GUARD	REFORM
11	55257621		GUARD	
12	55256411		GUARD	REFORM
12	55257620		GUARD	
13	58057385		LINE	



HONDA G150 - Gx 120/160/200 311.00003
 HONDA Gx390-Gx340 - B&S VANGUARD (3/8x1") 311.00015

HONDA Gx390-Gx340 - B&S VANGUARD 314.23105

HONDA G150 - Gx 120/160/200 532.47488
 B&S VANG. - HONDA Gx390-Gx340 531.56150

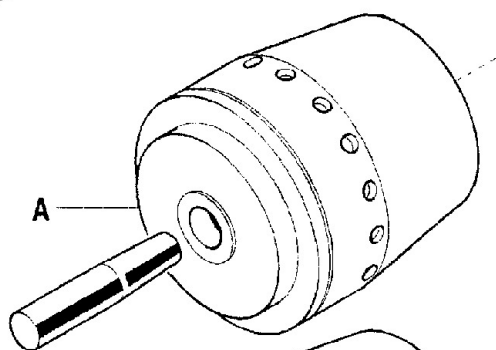
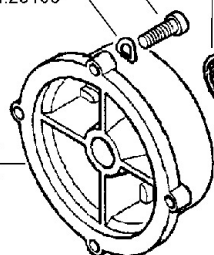
371.12231 HONDA G150 - Gx 120/160/200
 371.12233 (30x55x13) B&S VANGUARD - HONDA Gx 390 - Gx340

563.47484 B&S VANGUARD - HONDA Gx 390 - Gx340
 563.56251 HONDA G150 - Gx 120/160/200

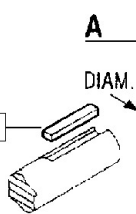
312.11080
 314.23084

313.12088 (M8x40)
 313.12083 (M8x46) (15LD315/350 - ACT 280/340 - L100AE)

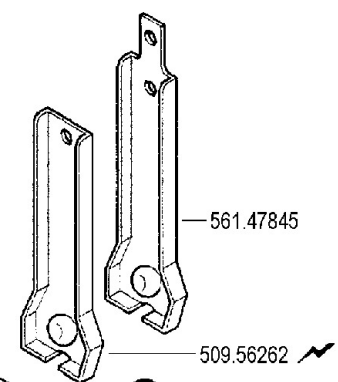
MOTORE ENGINE MOTEUR MOTOR MOTOR	FRIZIONE EMBRAYAGE KUPPLUNG CLUTCH
Acme A220	592.47884
Acme A220 (REF.)	592.56255
Acme ACT 280 - A349 - A360	592.47884
Acme ACT 340	592.47971
Briggs & Stratton 9 Hp Vanguard	592.56253
Honda Gx 390-Gx340	592.56257
Honda G150 - Gx 120 / 160 / 200	592.56265
Lombardini 15LD315 / 350	592.47884
Lombardini 6LD435 / 400	592.47971
Yanmar L100AE	592.47971



(B) 312.11080
 (B) (M8x30) 311.00786

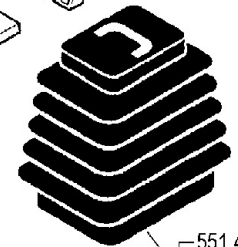


(HONDA Gx 390-Gx340-B&S VANGUARD) 563.49782
 (HONDA G150 - Gx120/160/200) 563.56165



561.47845

509.56262



551.47842
 551.57609

524.47896
 371.12173 (17x40x12)

**NON SMONTARE MAI LA FRIZIONE
 NEVER DISASSEMBLE THE CLUTCH
 NE DEMONTER JAMAIS L'EMBRAYAGE
 NIEMALS DIE KUPPLUNG AUSBAUEN
 NO DESMONTAR JAMAS EL EMBRAGUE**



600 serie MAX

FRIZIONE A CONO AUTOVENTILANTE

CLUTCH
 EMBRAGUE

EMBRAYAGE
 KUPPLUNG

DALLA MACCHINA
 DE LA MAQUINA
 DE LA MACHINE
 FROM THE MACHINE
 AB DER MASCHINE

N.

D01 0

09/2004

Rev.

P serrare a 2 Kg/m



Pos.	Id	Q.ty	Description	Note
31100003	31100003	1	SCREW TE 5/16X7/8	
31100015	31100015	1	SCREW TE 3/8X1	
31100786	31100786	1	SCREW STEI M8X30 UNI5923 8G G RZ	
31211080	31211080	1	NUT M8	
31312083	31312083	1	STUD BOLT M8X46X16X16	
31312088	31312088	1	STUD BOLT M8X40X14X14	
31423084	31423084	1	SPRING WASHER 8,4	
31423105	31423105	1	SPRING WASHER 10,5	
37112173	37112173	1	BEARING 6203 DDU7C3EX26 NSK	
37112231	37112231	1	BEARING 6204-2RS1 C3 SKF	
37112233	37112233	1	BEARING 6006-2RS1 C3 SKF	
50956262	50956262	1	CLUTCH LEVER	
52447896	52447896	1	PRESSURE PLATE	
53156150	53156150	1	ENGINE FLANGE B&S 8HP I/P	
53247488	53247488	1	ENGINE FLANGE H=21	
55147842	55147842	1	BELLOWS	
55157609	55157609	1	BELLOWS	
56147845	56147845	1	CLUTCH LEVER	
56347484	56347484	1	SHIM	
56349782	56349782	1	DOWEL	
56356165	56356165	1	DOWEL	
56356251	56356251	1	SHIM D=19,6	
59247884	59247884	1	CLUTCH ASSY	
59247971	59247971	1	CLUTCH	
59256253	59256253	1	CLUTCH ASSY	
59256255	59256255	1	CLUTCH ASSY	
59256257	59256257	1	CLUTCH ASSY	
59256265	59256265	1	CLUTCH ASSY	



HONDAG150 - Gx 120/160/200 31100003
 HONDAGx390 - Gx340 - Gx240/270 - B&SVANG. (3/8x1") 31100015
 HONDAGx390 - Gx340 - Gx240/270 - B&SVANG. 31423105

HONDAG150 - Gx120/160/200 53247488
 B&SVANG. - HONDAGx390 - Gx340 - Gx240/270 53156150

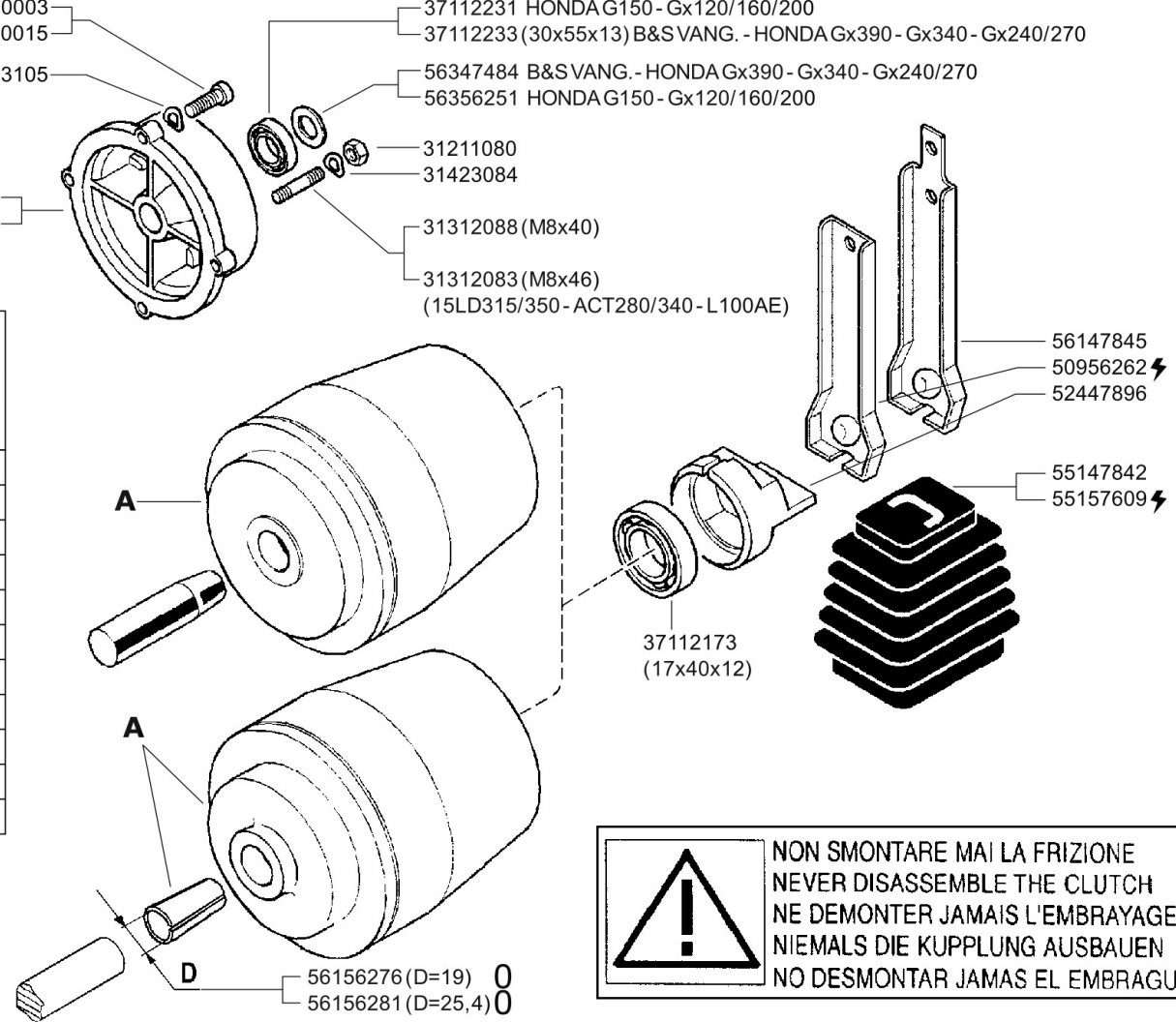
37112231 HONDAG150 - Gx120/160/200
 37112233 (30x55x13) B&SVANG. - HONDAGx390 - Gx340 - Gx240/270
 56347484 B&SVANG. - HONDAGx390 - Gx340 - Gx240/270
 56356251 HONDAG150 - Gx120/160/200

31211080
 31423084
 31312088 (M8x40)
 31312083 (M8x46)
 (15LD315/350 - ACT280/340 - L100AE)

56147845
 50956262 ⚡
 52447896

55147842
 55157609 ⚡

MOTORE ENGINE MOTEUR MOTOR	FRIZIONE CLUTCH A EMBRAYAGE EMBRAGUE KUPPLUNG
Acme A220	59247884
Acme A220 (REF.)	59256255
Acme ACT 280 - A349 - A360	59247884
Acme ACT 340	59247971
Briggs & Stratton 9Hp Vanguard D=25,4	59256279 0(1)
Honda Gx 390 - Gx 340 D=25,4	59256280 0(2)
Honda Gx 240/270 D=25,4	59256279
Honda G150 - Gx120/160/200 D=19	59256275 0(3)
Lombardini 15LD315/350	59247884
Lombardini 6LD435/400	59247971
Yanmar L100AE	59247971



(3) sostituisce 59256265
 (2) sostituisce 59256257
 (1) sostituisce 59256253

56156276 (D=19) 0
 56156281 (D=25,4) 0

! NON SMONTARE MAI LA FRIZIONE
 NEVER DISASSEMBLE THE CLUTCH
 NE DEMONTER JAMAIS L'EMBRAYAGE
 NIEMALS DIE KUPPLUNG AUSBAUEN
 NO DESMONTAR JAMAS EL EMBRAGUE



600 serie MAX

FRIZIONE A CONO AUTOVENTILANTE

CLUTCH
EMBRAGUE

EMBRYAGE
KUPPLUNG

DALLA MACCHINA
DE LA MAQUINA
DE LA MACHINE
FROM THE MACHINE
AB DER MASCHINE

C HIEDERE A S.A.T.
 A S K T O S A.T.
 D E M A N D E R Á S.A.T.
 S O L I C I T A R E L S.A.T.
 A N F R A G E N D E R S.A.T.

ON.

D01 1

11/2006

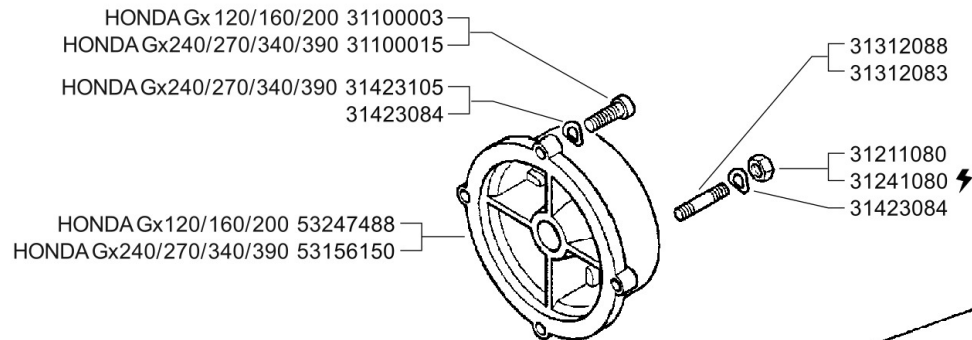
Rev.

2006

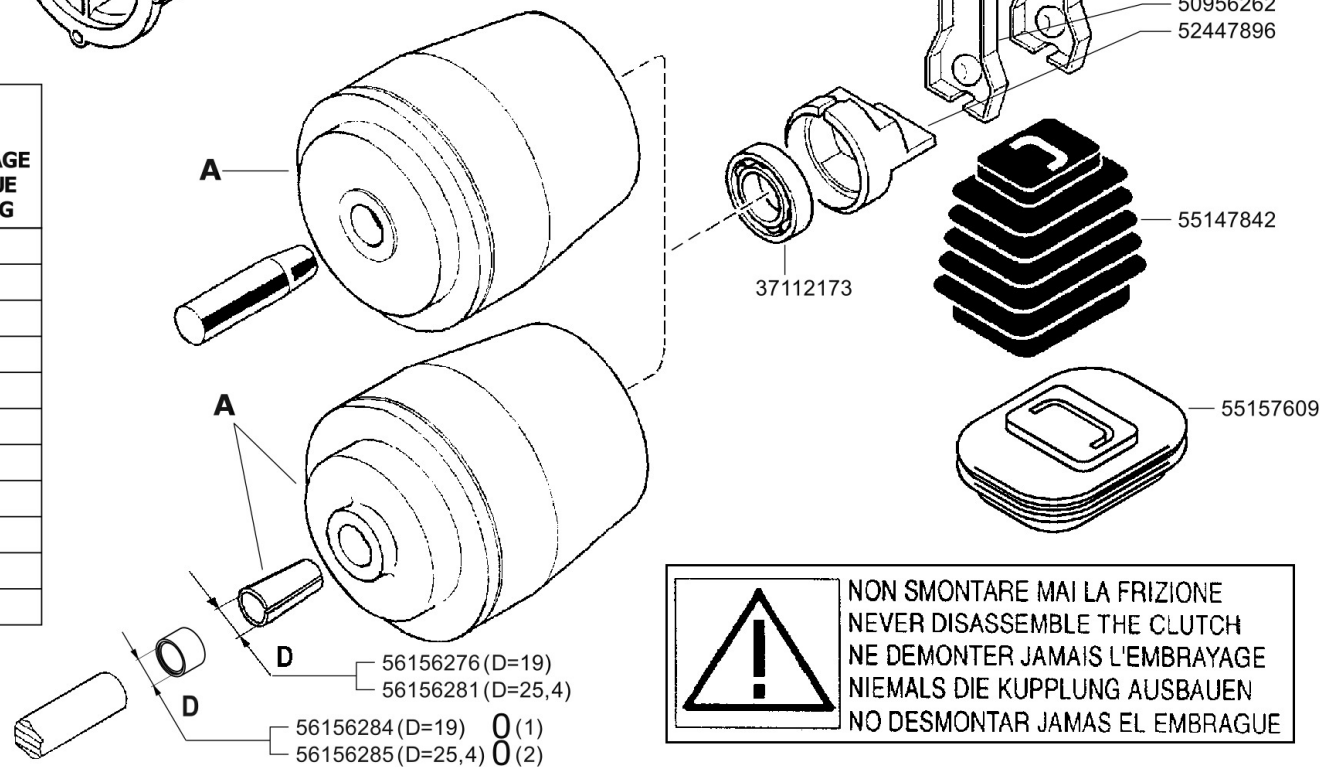


Pos.	Id	Q.ty	Description	Note
31100003	31100003	1	SCREW TE 5/16X7/8	
31100015	31100015	1	SCREW TE 3/8X1	
31211080	31211080	1	NUT M8	
31312083	31312083	1	STUD BOLT M8X46X16X16	
31312088	31312088	1	STUD BOLT M8X40X14X14	
31423084	31423084	1	SPRING WASHER 8,4	
31423105	31423105	1	SPRING WASHER 10,5	
37112173	37112173	1	BEARING 6203 DDU7C3EX26 NSK	
37112231	37112231	1	BEARING 6204-2RS1 C3 SKF	
37112233	37112233	1	BEARING 6006-2RS1 C3 SKF	
50956262	50956262	1	CLUTCH LEVER	
52447896	52447896	1	PRESSURE PLATE	
53156150	53156150	1	ENGINE FLANGE B&S 8HP I/P	
53247488	53247488	1	ENGINE FLANGE H=21	
55147842	55147842	1	BELLOWS	
55157609	55157609	1	BELLOWS	
56147845	56147845	1	CLUTCH LEVER	
56156276	56156276	1	SLEEVE D.19	
56156281	56156281	1	CENTRING BUSH D.25,4	
56347484	56347484	1	SHIM	
56356251	56356251	1	SHIM D=19,6	
59247884	59247884	1	CLUTCH ASSY	
59247971	59247971	1	CLUTCH	
59256255	59256255	1	CLUTCH ASSY	
59256275	59256275	1	CLUTCH ASSY	
59256279	59256279	1	CLUTCH ASSY	
59256280	59256280	1	CLUTCH ASSY	





MOTORE ENGINE MOTEUR MOTOR	FRIZIONE CLUTCH A EMBRAYAGE EMBRAGUE KUPPLUNG
Acme A220	59247884
Acme A220 (REF.)	59256255
Acme ACT 280 - A349 - A360	59247884
Acme ACT 340	59247971
Honda Gx 390 - Gx 340 D=25,4	59256280
Honda Gx 240/270 D=25,4	59256279
Honda Gx 120/160/200 D=19	59256275
Lombardini 15LD315/350	59247884
Lombardini 15LD500	59247924
Yanmar L100AE	59247971
Yanmar L70AE	59247884



! NON SMONTARE MAI LA FRIZIONE
NEVER DISASSEMBLE THE CLUTCH
NE DEMONTER JAMAIS L'EMBRAYAGE
NIEMALS DIE KUPPLUNG AUSBAUEN
NO DESMONTAR JAMAS EL EMBRAGUE



600 serie MAX

FRIZIONE A CONO AUTOVENTILANTE

CLUTCH
EMBRAGUE

EMBRYAGE
KUPPLUNG

DALLA MACCHINA
DE LA MAQUINA
DE LA MACHINE
FROM THE MACHINE
AB DER MASCHINE

ON.

(1) 779324
(2) 779519

D01 2

11/2006

Rev.

2

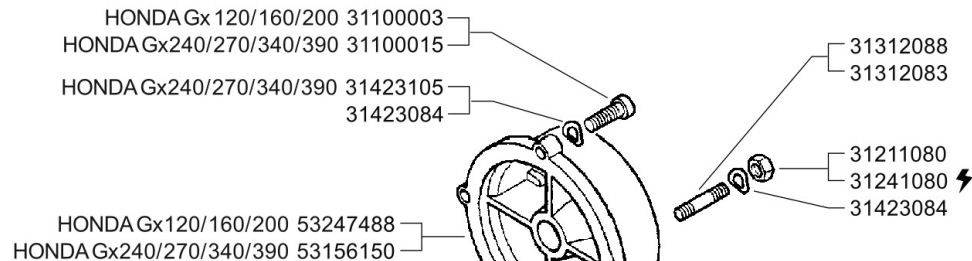
11/2006

2

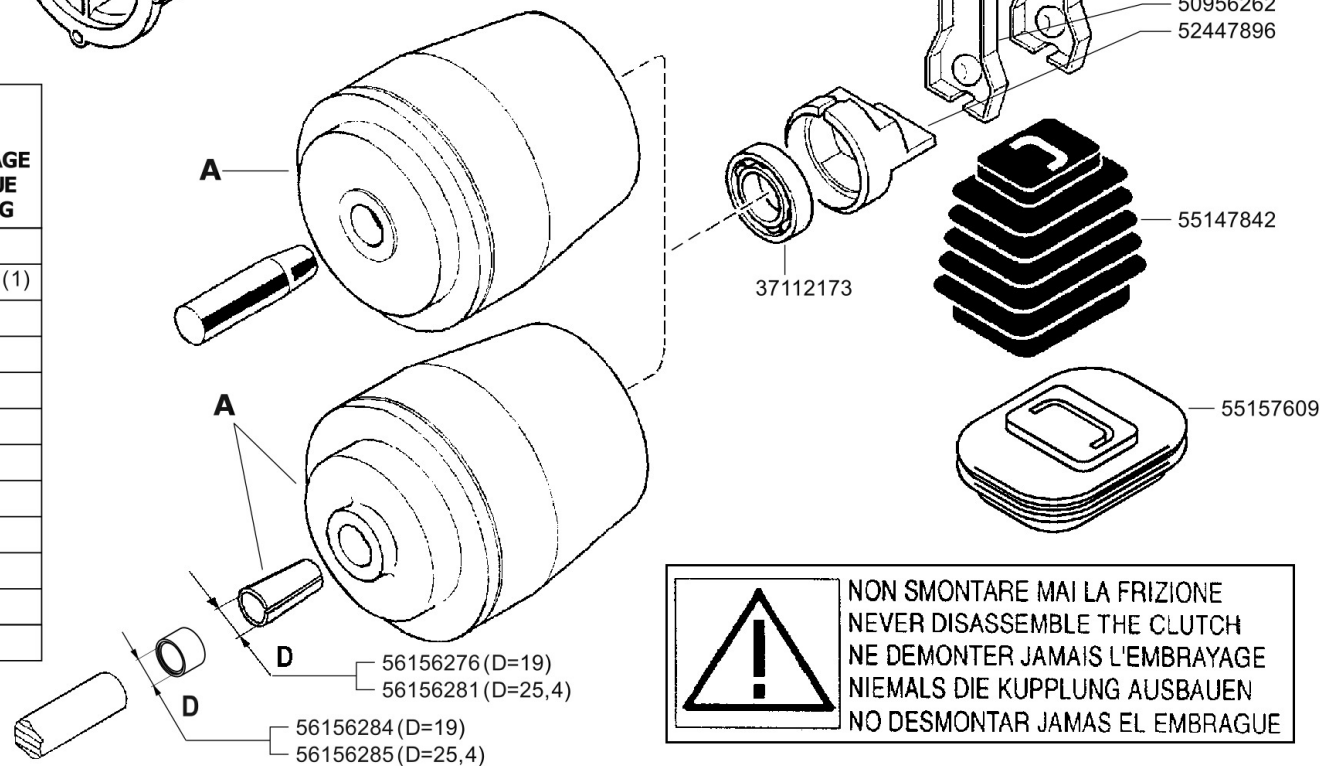


Pos.	Id	Q.ty	Description	Note
31100003	31100003	1	SCREW TE 5/16X7/8	
31100015	31100015	1	SCREW TE 3/8X1	
31211080	31211080	1	NUT M8	
31241080	31241080	1	HEXAGON SELFLOCK NUT M8	
31312083	31312083	1	STUD BOLT M8X46X16X16	
31312088	31312088	1	STUD BOLT M8X40X14X14	
31423084	31423084	1	SPRING WASHER 8,4	
31423105	31423105	1	SPRING WASHER 10,5	
37112173	37112173	1	BEARING 6203 DDU7C3EX26 NSK	
50956262	50956262	1	CLUTCH LEVER	
52447896	52447896	1	PRESSURE PLATE	
53156150	53156150	1	ENGINE FLANGE B&S 8HP I/P	
53247488	53247488	1	ENGINE FLANGE H=21	
55147842	55147842	1	BELLOWS	
55157609	55157609	1	BELLOWS	
56147845	56147845	1	CLUTCH LEVER	
56156276	56156276	1	SLEEVE D.19	
56156281	56156281	1	CENTRING BUSH D.25,4	
56156284	56156284	1	SPACER D19	
56156285	56156285	1	SPACER D25	
59247884	59247884	1	CLUTCH ASSY	
59247924	59247924	1	CLUTCH	
59247971	59247971	1	CLUTCH	
59256255	59256255	1	CLUTCH ASSY	
59256275	59256275	1	CLUTCH ASSY	
59256279	59256279	1	CLUTCH ASSY	
59256280	59256280	1	CLUTCH ASSY	





MOTORE ENGINE MOTEUR MOTOR	FRIZIONE CLUTCH A EMBRAYAGE EMBRAGUE KUPPLUNG
Acme A220	59247884
Acme A220 (REF.)	59256295 0(1)
Acme ACT280 - A349 - A360	59247884
Acme ACT340	59247971
Honda Gx 390 - Gx 340 D=25,4	59256280
Honda Gx 240/270 D=25,4	59256279
Honda Gx 120/160/200 D=19	59256275
Lombardini 15LD315/350	59247884
Lombardini 15LD500	59247924
Lombardini LGA340 0	59247971
Yanmar L100AE	59247971
Yanmar L70AE	59247884



! NON SMONTARE MAI LA FRIZIONE
 NEVER DISASSEMBLE THE CLUTCH
 NE DEMONTER JAMAIS L'EMBRAYAGE
 NIEMALS DIE KUPPLUNG AUSBAUEN
 NO DESMONTAR JAMAS EL EMBRAGUE

(1) sostituisce **59256255**



600 serie MAX

FRIZIONE A CONO AUTOVENTILANTE

CLUTCH
EMBRAGUE

EMBRYAGE
KUPPLUNG

DALLA MACCHINA
DE LA MAQUINA
DE LA MACHINE
FROM THE MACHINE
AB DER MASCHINE

ON.

AGGIORNAMENTO
REVISION
MISE A JOUR
APLAZAMIENTO
ANPASSUNG

D01 3

01/2009

Rev.

3

01/2009



Pos.	Id	Q.ty	Description	Note
31100003	31100003	1	SCREW TE 5/16X7/8	
31100015	31100015	1	SCREW TE 3/8X1	
31211080	31211080	1	NUT M8	
31241080	31241080	1	HEXAGON SELFLOCK NUT M8	
31312083	31312083	1	STUD BOLT M8X46X16X16	
31312088	31312088	1	STUD BOLT M8X40X14X14	
31423084	31423084	1	SPRING WASHER 8,4	
31423105	31423105	1	SPRING WASHER 10,5	
37112173	37112173	1	BEARING 6203 DDU7C3EX26 NSK	
50956262	50956262	1	CLUTCH LEVER	
52447896	52447896	1	PRESSURE PLATE	
53156150	53156150	1	ENGINE FLANGE B&S 8HP I/P	
53247488	53247488	1	ENGINE FLANGE H=21	
55147842	55147842	1	BELLOWS	
55157609	55157609	1	BELLOWS	
56147845	56147845	1	CLUTCH LEVER	
56156276	56156276	1	SLEEVE D.19	
56156281	56156281	1	CENTRING BUSH D.25,4	
56156284	56156284	1	SPACER D19	
56156285	56156285	1	SPACER D25	
59247884	59247884	1	CLUTCH ASSY	
59247924	59247924	1	CLUTCH	
59247971	59247971	1	CLUTCH	
59256275	59256275	1	CLUTCH ASSY	
59256279	59256279	1	CLUTCH ASSY	
59256280	59256280	1	CLUTCH ASSY	
59256295	59256295	1	CLUTCH ASSY	

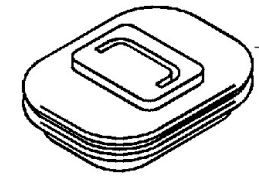
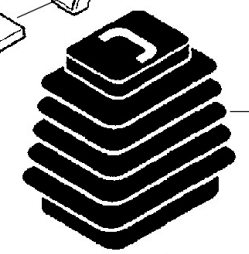
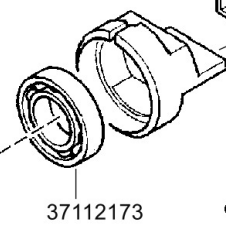
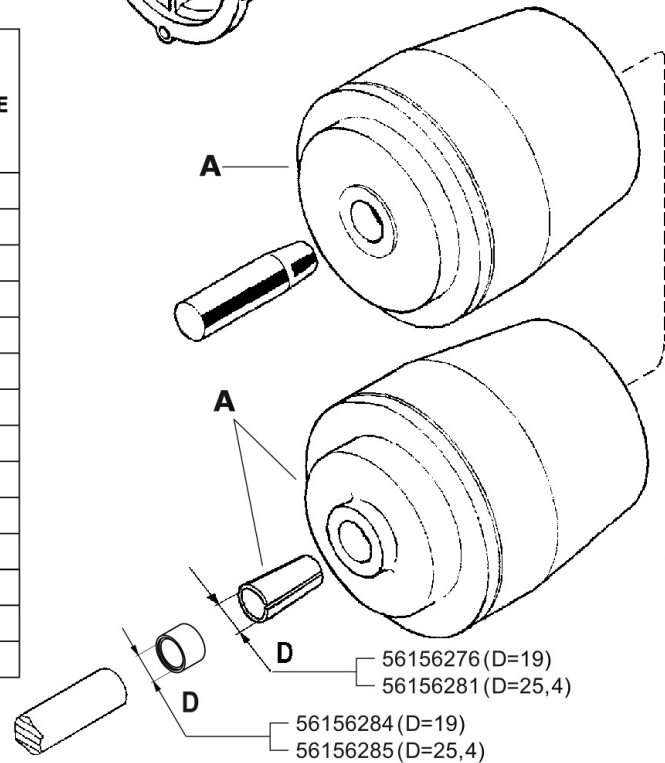


HONDA Gx 120/160/200 31100003
 SUBARU EX27/35 - HONDA Gx240/270/340/390 31100015
 31423084
 HONDA Gx240/270/340/390 } 31423105
 SUBARU EX27/35 }
 HONDA Gx120/160/200 53247488
 HONDA Gx240/270/340/390 } 53156150
 SUBARU EX27/35 }

31312088
 31312083
 31211080
 31241080 ⚡
 31423084

56147845
 50956262
 52447896

MOTORE ENGINE MOTEUR MOTOR	FRIZIONE CLUTCH A EMBRAYAGE EMBRAGUE KUPPLUNG
Acme A220	59247884
Acme A220 (REF.)	59256295
Acme ACT 280 - A349 - A360	59247884
Acme ACT 340	59247971
Honda Gx 390 - Gx 340 D=25,4	59256280
Honda Gx 240/ 270 D=25,4	59256279
Honda Gx120/ 160/ 200 D=19	59256275
Lombardini 15LD315/ 350	59247884
Lombardini 15LD500	59247924
Lombardini LGA340	59247971
Subaru EX27 0	59256279
Subaru EX35 0	59256280
Yanmar L100AE	59247971
Yanmar L70AE	59247884



! NON SMONTARE MAI LA FRIZIONE
 NEVER DISASSEMBLE THE CLUTCH
 NE DEMONTER JAMAIS L'EMBRAYAGE
 NIEMALS DIE KUPPLUNG AUSBAUEN
 NO DESMONTAR JAMAS EL EMBRAGUE



600 serie MAX

FRIZIONE A CONO AUTOVENTILANTE

CLUTCH
EMBRAGUE

EMBRYAGE
KUPPLUNG

DALLA MACCHINA
DE LA MAQUINA
DE LA MACHINE
FROM THE MACHINE
AB DER MASCHINE

AGGIORNAMENTO
REVISION
MISE A JOUR
APLAZAMIENTO
ANPASSUNG

D01 4
 03/2010

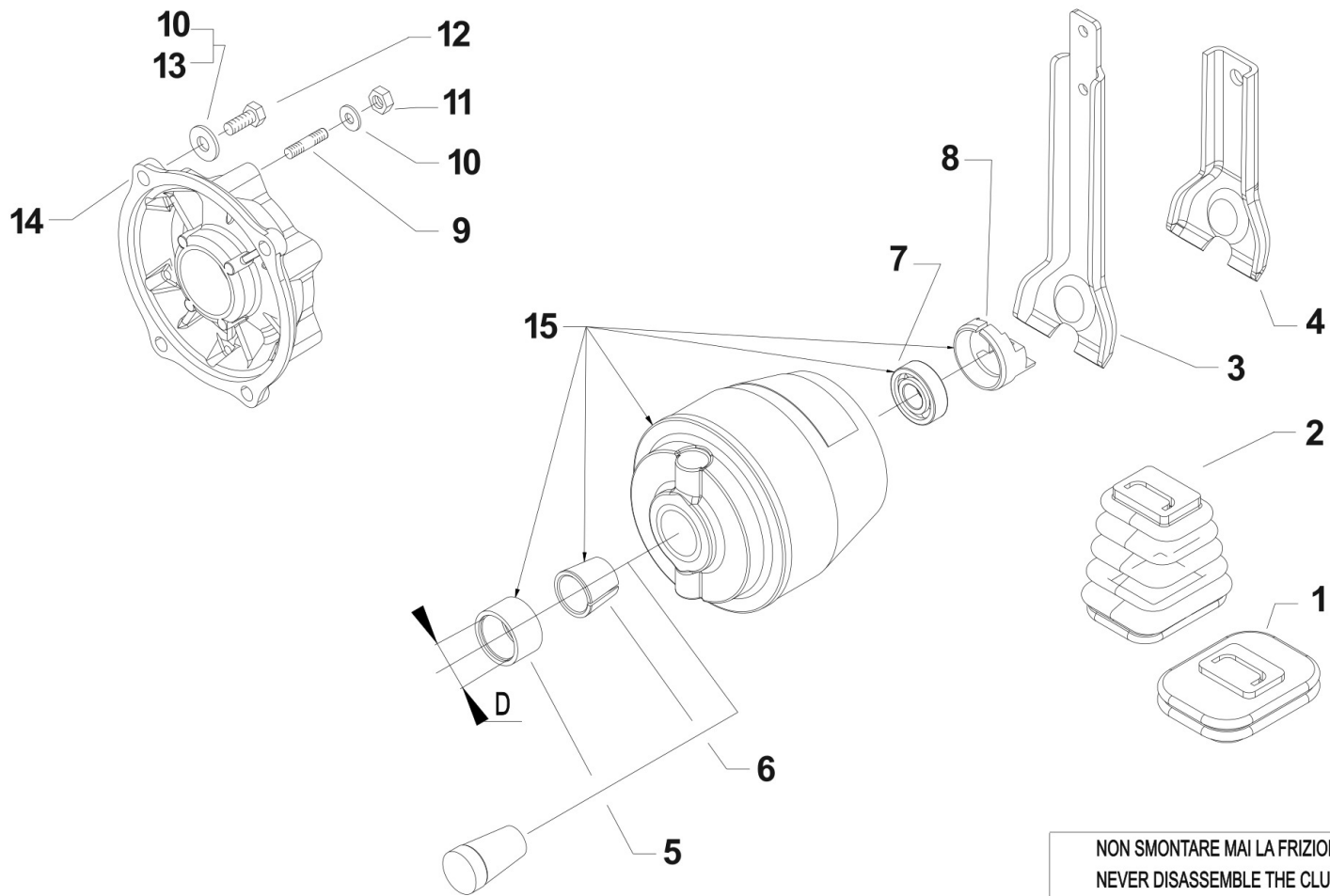
ON.

Rev. 4



Pos.	Id	Q.ty	Description	Note
31100003	31100003	1	SCREW TE 5/16X7/8	
31100015	31100015	1	SCREW TE 3/8X1	
31211080	31211080	1	NUT M8	
31241080	31241080	1	HEXAGON SELFLOCK NUT M8	
31312083	31312083	1	STUD BOLT M8X46X16X16	
31312088	31312088	1	STUD BOLT M8X40X14X14	
31423084	31423084	1	SPRING WASHER 8,4	
31423105	31423105	1	SPRING WASHER 10,5	
37112173	37112173	1	BEARING 6203 DDU7C3EX26 NSK	
50956262	50956262	1	CLUTCH LEVER	
52447896	52447896	1	PRESSURE PLATE	
53156150	53156150	1	ENGINE FLANGE B&S 8HP I/P	
53247488	53247488	1	ENGINE FLANGE H=21	
55147842	55147842	1	BELLOWS	
55157609	55157609	1	BELLOWS	
56147845	56147845	1	CLUTCH LEVER	
56156276	56156276	1	SLEEVE D.19	
56156281	56156281	1	CENTRING BUSH D.25,4	
56156284	56156284	1	SPACER D19	
56156285	56156285	1	SPACER D25	
59247884	59247884	1	CLUTCH ASSY	
59247924	59247924	1	CLUTCH	
59247971	59247971	1	CLUTCH	
59256275	59256275	1	CLUTCH ASSY	
59256279	59256279	1	CLUTCH ASSY	
59256280	59256280	1	CLUTCH ASSY	
59256295	59256295	1	CLUTCH ASSY	

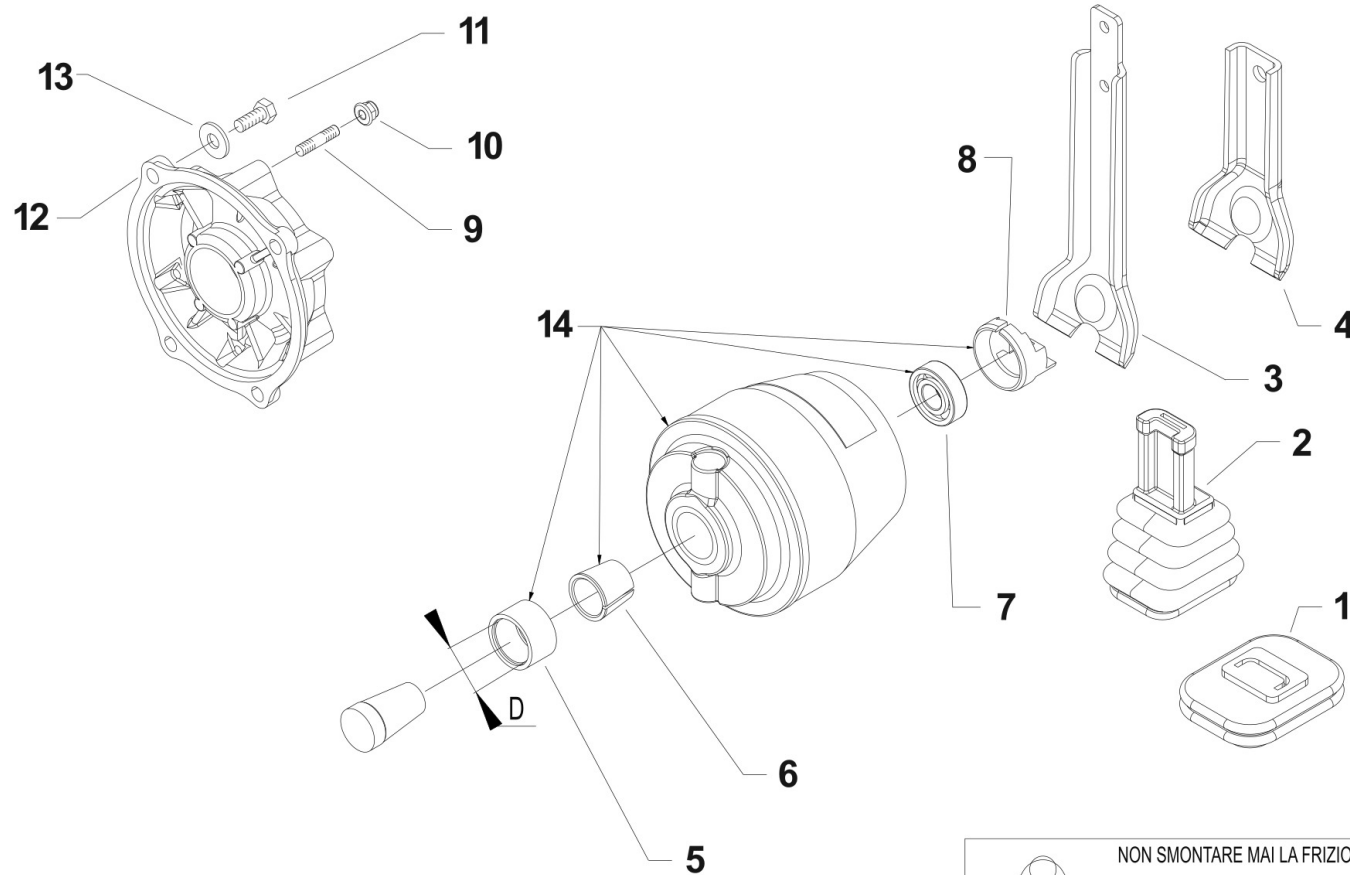





NON SMONTARE MAI LA FRIZIONE
 NEVER DISASSEMBLE THE CLUTCH
 NE DEMONTER JAMAIS L'EMBRAYAGE
 NIEMALS DIE KUPPLUNG AUSBAUEN
 NO DESMONTAR JAMAS EL EMBRAGUE

Pos.	Id	Q.ty	Description	Note
1	55157609	1	BELLOWS	ELECTRIC STARTING
2	55147842	1	BELLOWS	RECOIL STARTER
3	56147845	1	CLUTCH LEVER	RECOIL STARTER
4	50956262	1	CLUTCH LEVER	ELECTRIC STARTING
5	56156284	1	SPACER D19	
5	56156285	1	SPACER D25	
6	56156276	1	SLEEVE D.19	
6	56156281	1	CENTRING BUSH D.25,4	
7	37112173	1	BEARING 6203 DDU7C3EX26 NSK	
8	52447896	1	PRESSURE PLATE	
9	31312083	1	STUD BOLT M8X46X16X16	For motors EX21/LGA340/15LD350/L100AE/ACT340
9	31312088	1	STUD BOLT M8X40X14X14	For motors GX340/GX390/EX35
10	31423084	1	SPRING WASHER 8,4	
11	31211080	1	NUT M8	
11	31241080	1	HEXAGON SELFLOCK NUT M8	For engines with electric start
12	31100003	1	SCREW TE 5/16X7/8	For motors GX120/GX160/GX200/EX21
12	31100015	1	SCREW TE 3/8X1	For motors GX240/GX270/GX340/GX390/EX27/EX35
13	31423105	1	SPRING WASHER 10,5	For motors GX240/GX270/GX340/GX390
14	53156150	1	ENGINE FLANGE B&S 8HP I/P	For motors GX240/GX270/GX340/GX390/EX27/EX35
14	53247488	1	ENGINE FLANGE H=21	For motors GX120/GX160/GX200/EX21
15	59247884		CLUTCH ASSY	15LD315/15LD350 - ACME A220/ACME ACT 280/A349/A360 - L70AE
15	59247924		CLUTCH	15LD500
15	59247971		CLUTCH	L100AE - ACT340 - LGA340
15	59256275		CLUTCH ASSY	GX160/GX200 - EX21
15	59256279		CLUTCH ASSY	GX240/GX270 - EX27
15	59256280		CLUTCH ASSY	GX340/GX390 - EX35
15	59256295		CLUTCH ASSY	A220 (REF.)



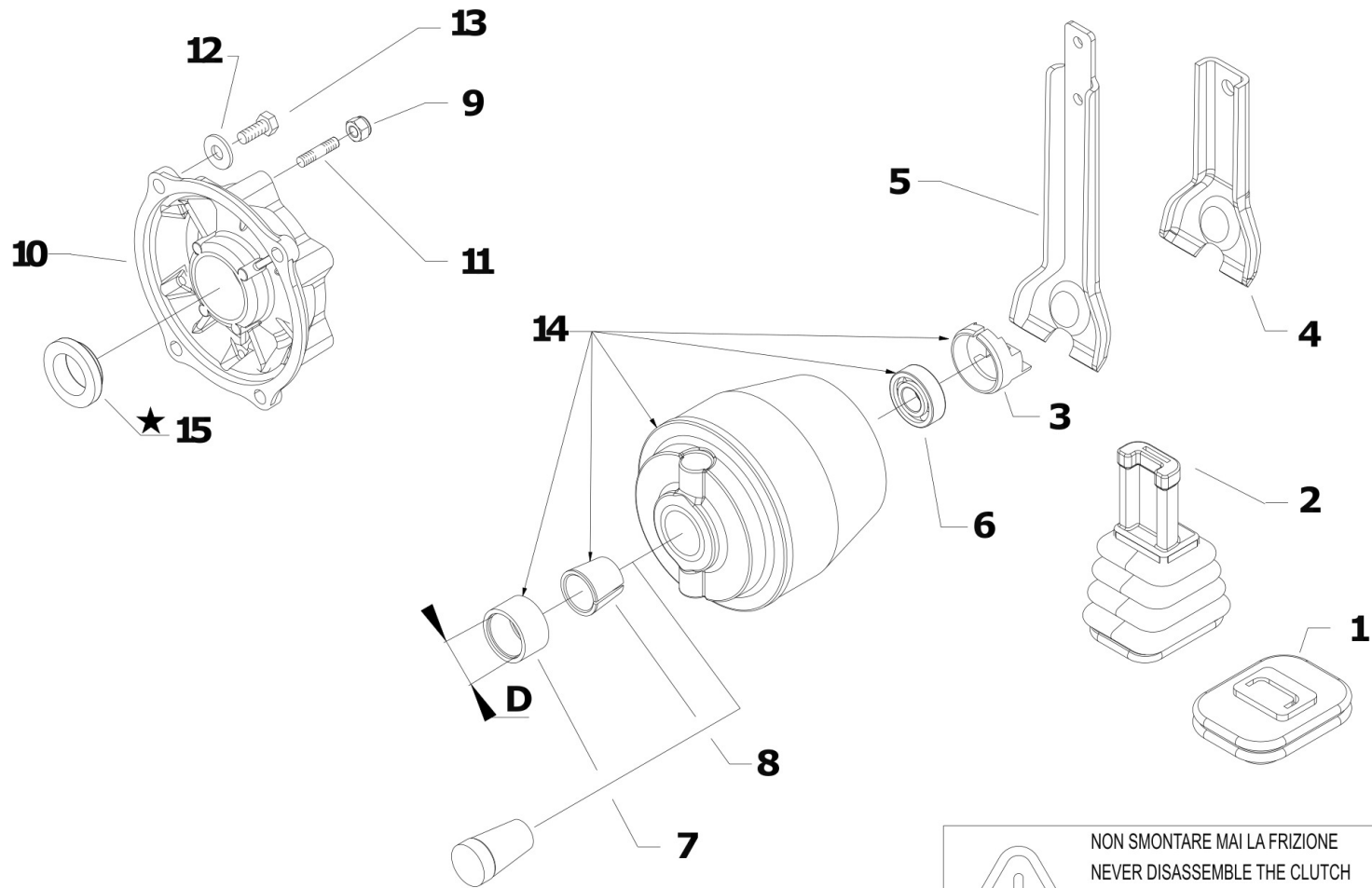




 NON SMONTARE MAI LA FRIZIONE
 NEVER DISASSEMBLE THE CLUTCH
 NE DEMONTER JAMAIS L'EMBRAYAGE
 NIEMALS DIE KUPPLUNG AUSBAUEN
 NO DESMONTAR JAMAS EL EMBRAGUE



Pos.	Id	Q.ty	Description	Note
1	55157609		BELLOWS	ELECTRIC STARTING
2	55156481		CLUTCH LEVER BELLOWS	Replaces 55147842 - RECOIL STARTER
3	56147845		CLUTCH LEVER	RECOIL STARTER
4	50956262		CLUTCH LEVER	ELECTRIC STARTING
5	56156284		SPACER D19	
5	56156285		SPACER D25	
6	56156276		SLEEVE D.19	
6	56156281		CENTRING BUSH D.25,4	
7	37112173		BEARING 6203 DDU7C3EX26 NSK	
8	524C1014		PRESSURE CONE	REPLACE 52447896
9	31312083		STUD BOLT M8X46X16X16	
10	31241083		SELFLOCK NUT M8	Replaces 31211080 + 31423084
11	31100003		SCREW TE 5/16X7/8	For engines GX120-GX160-GX200-EX21
11	31100015		SCREW TE 3/8X1	For engines GX240-GX270-GX340-GX390-EX27-EX35
12	53156150		ENGINE FLANGE B&S 8HP I/P	For engines GX240-GX270-GX340-GX390-EX27-EX35
12	53247488		ENGINE FLANGE H=21	For engines GX120-GX160-GX200-EX21
13	31423084		SPRING WASHER 8,4	
13	31423105		SPRING WASHER 10,5	For engines GX240-GX270-GX340-GX390-EX27-EX35
14	59247489		CONIC CLUTCH D=23 1 CPL SPRING	REPLACES 59247884 - 15LD315/15LD350 - A220 - ACT280/A349/A360 - L70 - KD350
14	59247513		CONIC CLUTCH D=24 2 SPRINGS	REPLACES 59247924 - 15LD500
14	59247823		CONIC CLUTCH D=23,2 2 SPRINGS	REPLACES 59247971 - L100 - ACT340 - LGA340 - KD440
14	592C1010		CLUTCH D.19 Q(UP TO 9HP)	REPLACES 59256275 - GX120/GX160/GX200 - EX21
14	592C1011		COMPLETE CLUTCH D=25,4 9HP	REPLACES 59256275 - GX240/GX270 - EX27
14	592C1012		CONIC CLUTCH D=25,4 UP 9HP	REPLACES 59256280 - GX340/GX390 - EX35
14	592C1013		FRIZIONE C.TA 1 MOLLA SP. REF.	REPLACES 59256295 - A220 REFORM






 NON SMONTARE MAI LA FRIZIONE
 NEVER DISASSEMBLE THE CLUTCH
 NE DEMONTER JAMAIS L'EMBRAYAGE
 NIEMALS DIE KUPPLUNG AUSBAUEN
 NO DESMONTAR JAMAS EL EMBRAGUE

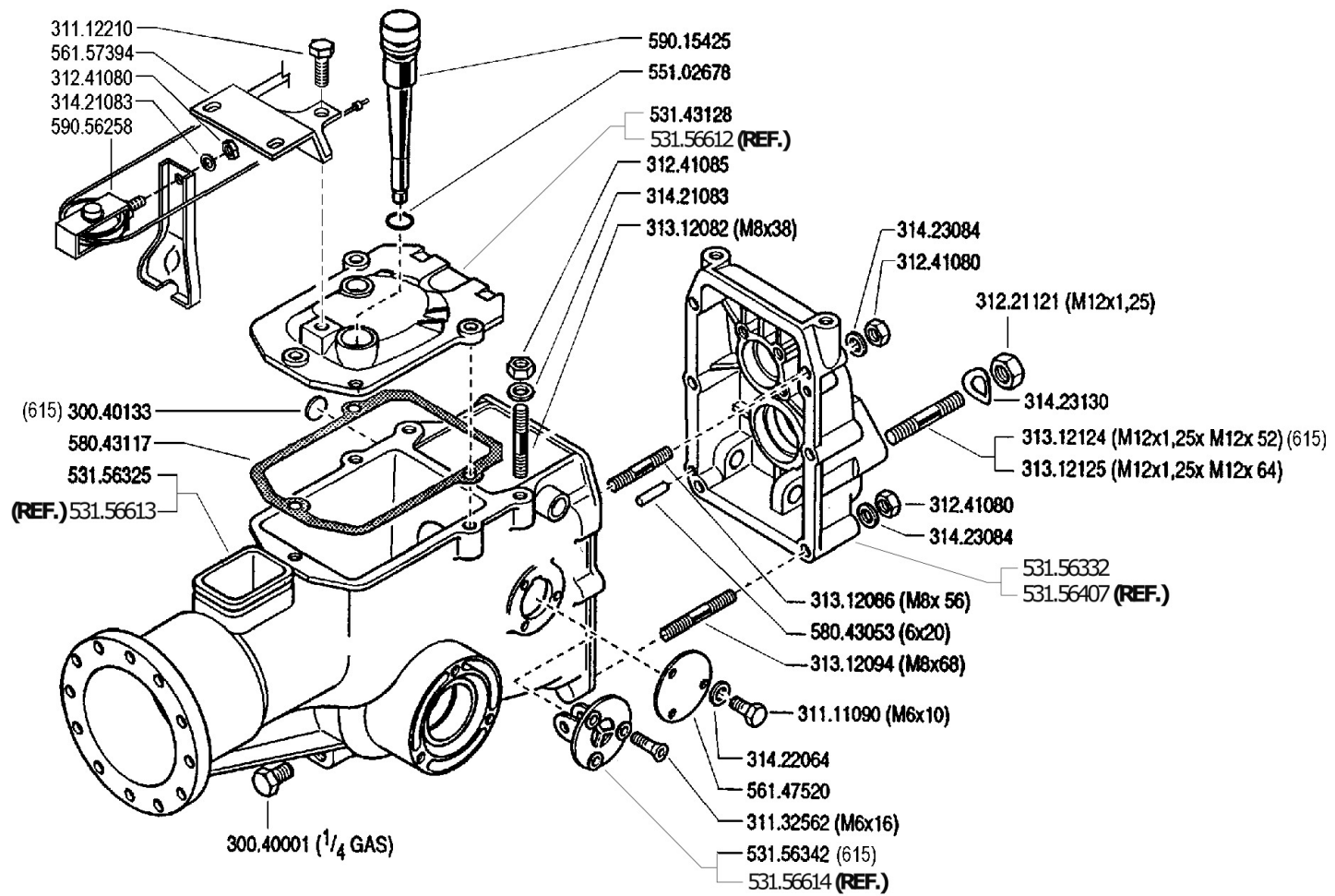


[Click for info](#)

★ = new part

Pos.	Id	Q.ty	Description	Note
1	55157609		BELLOWS	ELECTRIC STARTING
2	55156481		CLUTCH LEVER BELLOWS	Replaces 55147842 - RECOIL STARTER
3	56147845		CLUTCH LEVER	RECOIL STARTER
4	50956262		CLUTCH LEVER	ELECTRIC STARTING
5	56156284		SPACER D19	
5	56156285		SPACER D25	
6	56156276		SLEEVE D.19	
6	56156281		CENTRING BUSH D.25,4	
7	37112173		BEARING 6203 DDU7C3EX26 NSK	
8	524C1014		PRESSURE CONE	REPLACE 52447896
9	31312083		STUD BOLT M8X46X16X16	
10	31241083		SELFLOCK NUT M8	Replaces 31211080 + 31423084
11	31100003		SCREW TE 5/16X7/8	For engines GX120-GX160-GX200-EX21
11	31100015		SCREW TE 3/8X1	For engines GX240-GX270-GX340-GX390-EX27-EX35
12	53156150		ENGINE FLANGE B&S 8HP I/P	For engines GX240-GX270-GX340-GX390-EX27-EX35
12	53247488		ENGINE FLANGE H=21	For engines GX120-GX160-GX200-EX21
13	31423084		SPRING WASHER 8,4	
13	31423105		SPRING WASHER 10,5	For engines GX240-GX270-GX340-GX390-EX27-EX35
14	59247489		CONIC CLUTCH D=23 1 CPL SPRING	REPLACES 59247884 - 15LD315/15LD350 - A220 - ACT280/A349/A360 - L70 - KD350
14	59247513		CONIC CLUTCH D=24 2 SPRINGS	REPLACES 59247924 - 15LD500
14	59247823		CONIC CLUTCH D=23,2 2 SPRINGS	REPLACES 59247971 - L100 - ACT340 - LGA340 - KD440
14	592C1010		CLUTCH D.19 Q(UP TO 9HP)	REPLACES 59256275 - GX120/GX160/GX200 - EX21
14	592C1011		COMPLETE CLUTCH D=25,4 9HP	REPLACES 59256275 - GX240/GX270 - EX27
14	592C1012		CONIC CLUTCH D=25,4 UP 9HP	REPLACES 59256280 - GX340/GX390 - EX35
14	592C1013		FRIZIONE C.TA 1 MOLLA SP. REF.	REPLACES 59256295 - A220 REFORM
15	551C1033		GASKET	





600 serie MAX

SCATOLA CAMBIO (615M-615LM-615SM)

GEARBOX
CAJA DE CAMBIO

BOITE DE VITESSES
WECHSELGETRIEBE

DALLA MACCHINA
DE LA MAQUINA
DE LA MACHINE
FROM THE MACHINE
AB DER MASCHINE

N.

Rev. **E01 0**

09/2004

ZENE

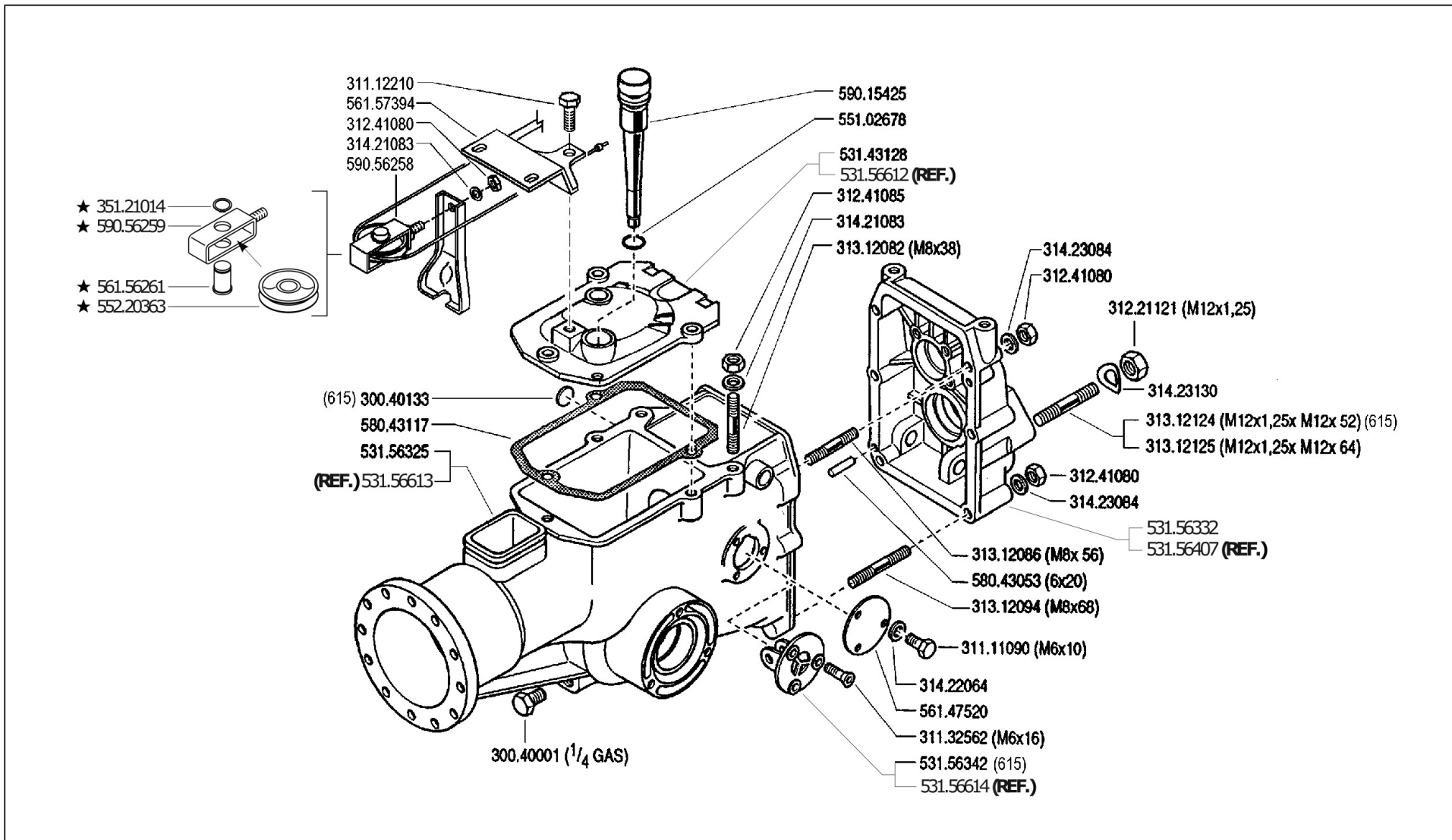


Pos.	Id	Q.ty	Description	Note
30040001	30040001	1	PLUG 1/4 UNI 364	
30040133	30040133	1	PLUG 22 DIN 470	
31111090	31111090	1	SCREW TE M5X10 UNI 5739 8G	
31112210	31112210	1	SCREW TE M10X20 UNI 5739	
31132562	31132562	1	SCREW TSVEI M6X16 UNI 5933	
31221121	31221121	1	NUT M12X1,25	
31241080	31241080	1	HEXAGON SELFLOCK NUT M8	
31241085	31241085	1	SELFLOCK NUT M8 6S	
31312082	31312082	1	STUD BOLT M8X38X14X20	
31312086	31312086	1	STUD BOLT M8X56X20X14	
31312094	31312094	1	STUD BOLT M8X68X14X36	
31312124	31312124	1	STUD BOLT 52XM12X1,25X22XM12X22 8G	
31312125	31312125	1	STUD BOLT 64XM12X1,25X26XM12X30 8G	
31421083	31421083	1	WASHER	
31422064	31422064	1	SPRING WASHER 6,4	
31423084	31423084	1	SPRING WASHER 8,4	
31423130	31423130	1	SPRING WASHER EL 13 DIN 137-B	
53143128	53143128	1	COVER	
53156325	53156325	1	BODY	
53156332	53156332	1	REAR COVER	
53156342	53156342	1	GEAR SUPPORT	
53156407	53156407	1	REAR COVER	
53156612	53156612	1	COVER	
53156613	53156613	1	BODY	
53156614	53156614	1	GEAR SUPPORT	
55102678	55102678	1	RUBBER RING	
56147520	56147520	1	COVER	
56157394	56157394	1	STOP	
58043053	58043053	1	CYLINDRICAL PLUG	



Pos.	Id	Q.ty	Description	Note
58043117	58043117	1	COVER GASKET	
59015425	59015425	1	PLUG	
59056258	59056258	1	CLUTCH FORK	





	<h1>600 serie MAX</h1>	SCATOLA CAMBIO (615M-615LM-615SM)		DALLA MACCHINA FROM THE MACHINE DE LA MAQUINA DE LA MACHINE AB DER MASCHINE ★ N.	AGGIORNAMENTO	<h1>E01</h1>	Rev.
		GEARBOX	BOITE DE VITESSES		AFLAZAMIENTO		1
		CAJA DE CAMBIO	WECHSELGETRIEBE		MISE A JOUR		<h1>07/2005</h1>
					REVISION		
					ANPASSUNG		

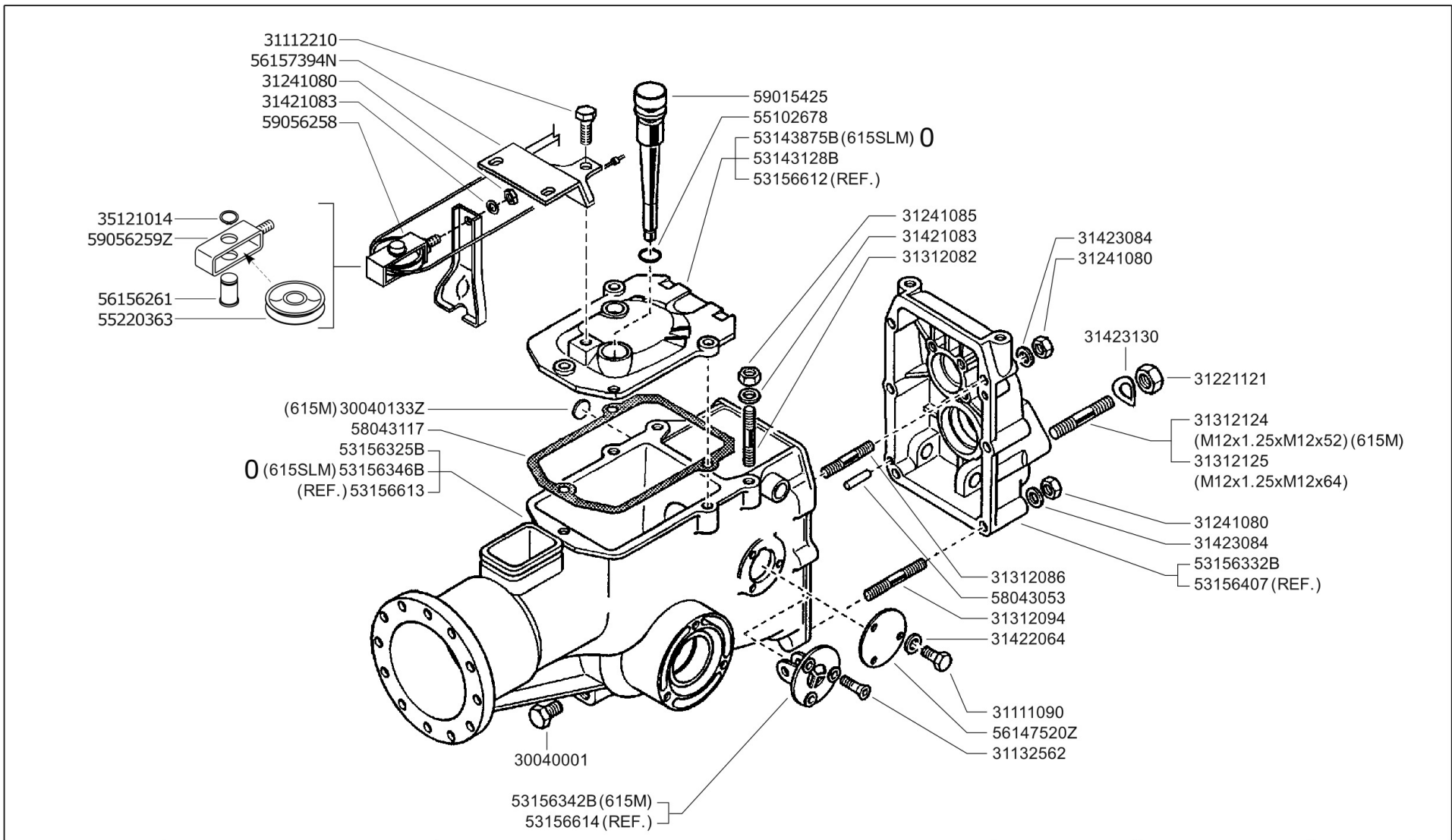


Pos.	Id	Q.ty	Description	Note
30040001	30040001		PLUG 1/4 UNI 364	
30040133	30040133		PLUG 22 DIN 470	
31111090	31111090		SCREW TE M5X10 UNI 5739 8G	
31112210	31112210		SCREW TE M10X20 UNI 5739	
31132562	31132562		SCREW TSVEI M6X16 UNI 5933	
31221121	31221121		NUT M12X1,25	
31241080	31241080		HEXAGON SELFLOCK NUT M8	
31241085	31241085		SELFLOCK NUT M8 6S	
31312082	31312082		STUD BOLT M8X38X14X20	
31312086	31312086		STUD BOLT M8X56X20X14	
31312094	31312094		STUD BOLT M8X68X14X36	
31312124	31312124		STUD BOLT 52XM12X1,25X22XM12X22 8G	
31312125	31312125		STUD BOLT 64XM12X1,25X26XM12X30 8G	
31421083	31421083		WASHER	
31422064	31422064		SPRING WASHER 6,4	
31423084	31423084		SPRING WASHER 8,4	
31423130	31423130		SPRING WASHER EL 13 DIN 137-B	
35121014	35121014	1	SEEGER RING E 14 DIN 471	
53143128	53143128		COVER	
53156325	53156325		BODY	
53156332	53156332		REAR COVER	
53156342	53156342		GEAR SUPPORT	
53156407	53156407		REAR COVER	
53156612	53156612		COVER	
53156613	53156613		BODY	
53156614	53156614		GEAR SUPPORT	
55102678	55102678		RUBBER RING	
55220363	55220363	1	PULLEY BRAKE	
56147520	56147520		COVER	



Pos.	Id	Q.ty	Description	Note
56156261	56156261	1	PIN	
56157394	56157394		STOP	
58043053	58043053		CYLINDRICAL PLUG	
58043117	58043117		COVER GASKET	
59015425	59015425		PLUG	
59056258	59056258		CLUTCH FORK	
59056259	59056259	1	CLUTCH FORK	





	<h1>600 serie MAX</h1>	SCATOLA CAMBIO (615M-615LM-615SM-615SLM★) GEARBOX CAJA DE CAMBIO	BOTTE DE VITESSES WECHSELGETRIEBE	DALLA MACCHINA FROM THE MACHINE DE LA MAQUINA DE LA MACHINE AB DER MASCHINE		AGGIORNAMENTO	<div style="font-size: 2em; font-weight: bold;">E01</div> <div style="font-size: 2em; font-weight: bold;">2</div>	Rev.
				★ N.		AFLAZAMIENTO		<div style="font-size: 2em; font-weight: bold;">01/2009</div>
				★ N.		MISE A JOUR		
				★ N.		REVISION		
				★ N.		ANPASSUNG		

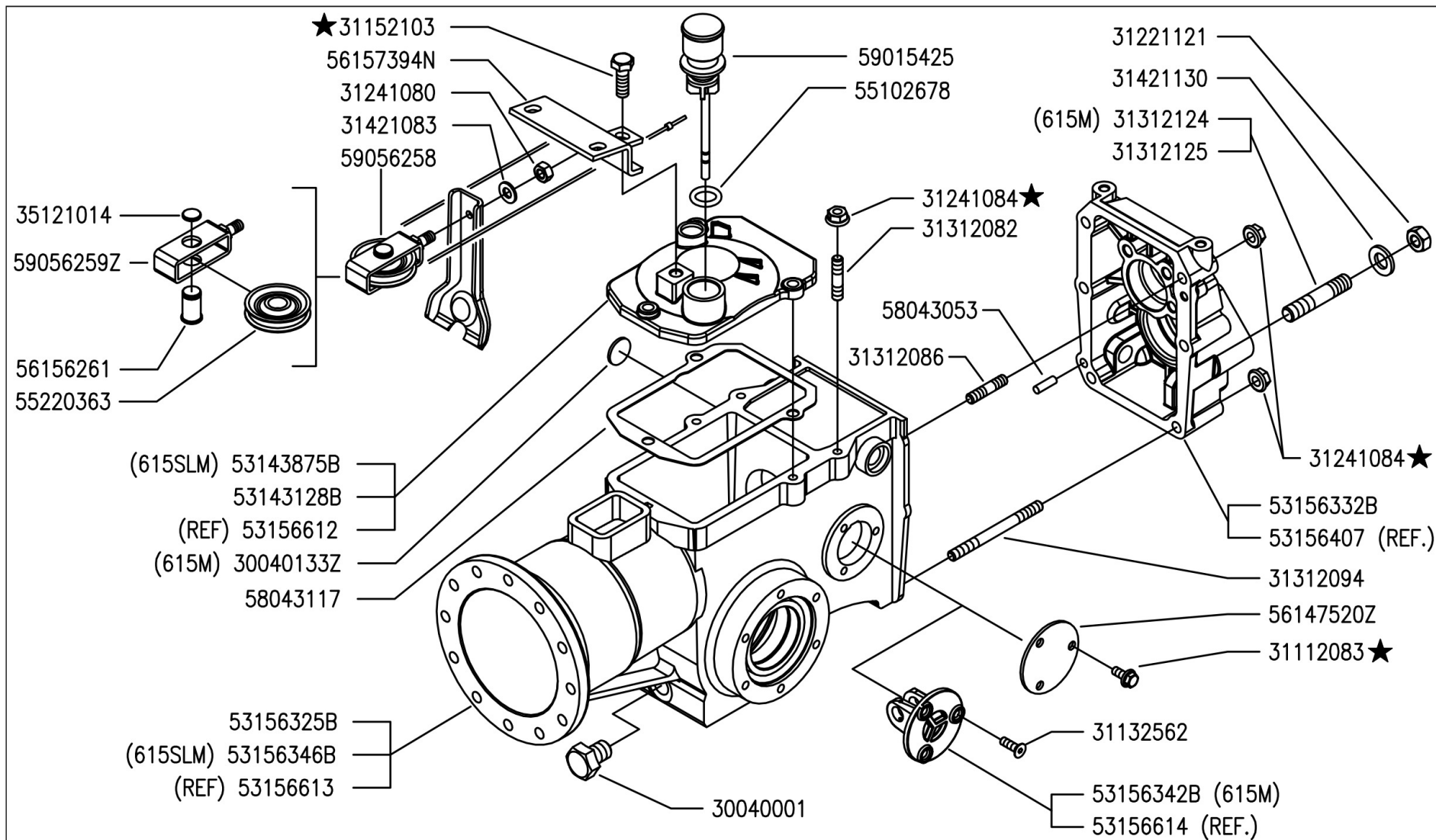


Pos.	Id	Q.ty	Description	Note
30040001	30040001	1	PLUG 1/4 UNI 364	
31111090	31111090	1	SCREW TE M5X10 UNI 5739 8G	
31112210	31112210	1	SCREW TE M10X20 UNI 5739	
31132562	31132562	1	SCREW TSVEI M6X16 UNI 5933	
31221121	31221121	1	NUT M12X1,25	
31241080	31241080	1	HEXAGON SELFLOCK NUT M8	
31241085	31241085	1	SELFLOCK NUT M8 6S	
31312082	31312082	1	STUD BOLT M8X38X14X20	
31312086	31312086	1	STUD BOLT M8X56X20X14	
31312094	31312094	1	STUD BOLT M8X68X14X36	
31312124	31312124	1	STUD BOLT 52XM12X1,25X22XM12X22 8G	
31312125	31312125	1	STUD BOLT 64XM12X1,25X26XM12X30 8G	
31421083	31421083	1	WASHER	
31422064	31422064	1	SPRING WASHER 6,4	
31423084	31423084	1	SPRING WASHER 8,4	
31423130	31423130	1	SPRING WASHER EL 13 DIN 137-B	
35121014	35121014	1	SEEGER RING E 14 DIN 471	
53156407	53156407	1	REAR COVER	
53156612	53156612	1	COVER	
53156613	53156613	1	BODY	
53156614	53156614	1	GEAR SUPPORT	
55102678	55102678	1	RUBBER RING	
55220363	55220363	1	PULLEY BRAKE	
56156261	56156261	1	PIN	
58043053	58043053	1	CYLINDRICAL PLUG	
58043117	58043117	1	COVER GASKET	
59015425	59015425	1	PLUG	
59056258	59056258	1	CLUTCH FORK	
30040133Z	30040133Z	1	PLUG 22 DIN 470	



Pos.	Id	Q.ty	Description	Note
53143128B	53143128B	1	COVER	
53143875B	53143875B	1	GEARBOX HOUSING COVER	
53156325B	53156325B	1	BODY	
53156332B	53156332B	1	REAR COVER	
53156342B	53156342B	1	GEAR SUPPORT	
53156346B	53156346B	1	BODY	
56147520Z	56147520Z	1	COVER	
56157394N	56157394N	1	STOP	
59056259Z	59056259Z	1	CLUTCH FORK	





600 serie MAX

SCATOLA CAMBIO (615M-615LM-615SM-615SLM)

GEARBOX
 CAJA DE CAMBIO

BOITE DE VITESSES
 WECHSELGETRIEBE

DALLA MACCHINA
 DE LA MAQUINA
 FROM THE MACHINE
 AB DER MASCHINE

★N.

AGGIORNAMENTO
 REVISION
 MISE A JOUR
 APLAZAMIENTO
 ANPASSUNG

E01

Rev.
 3

09/2010

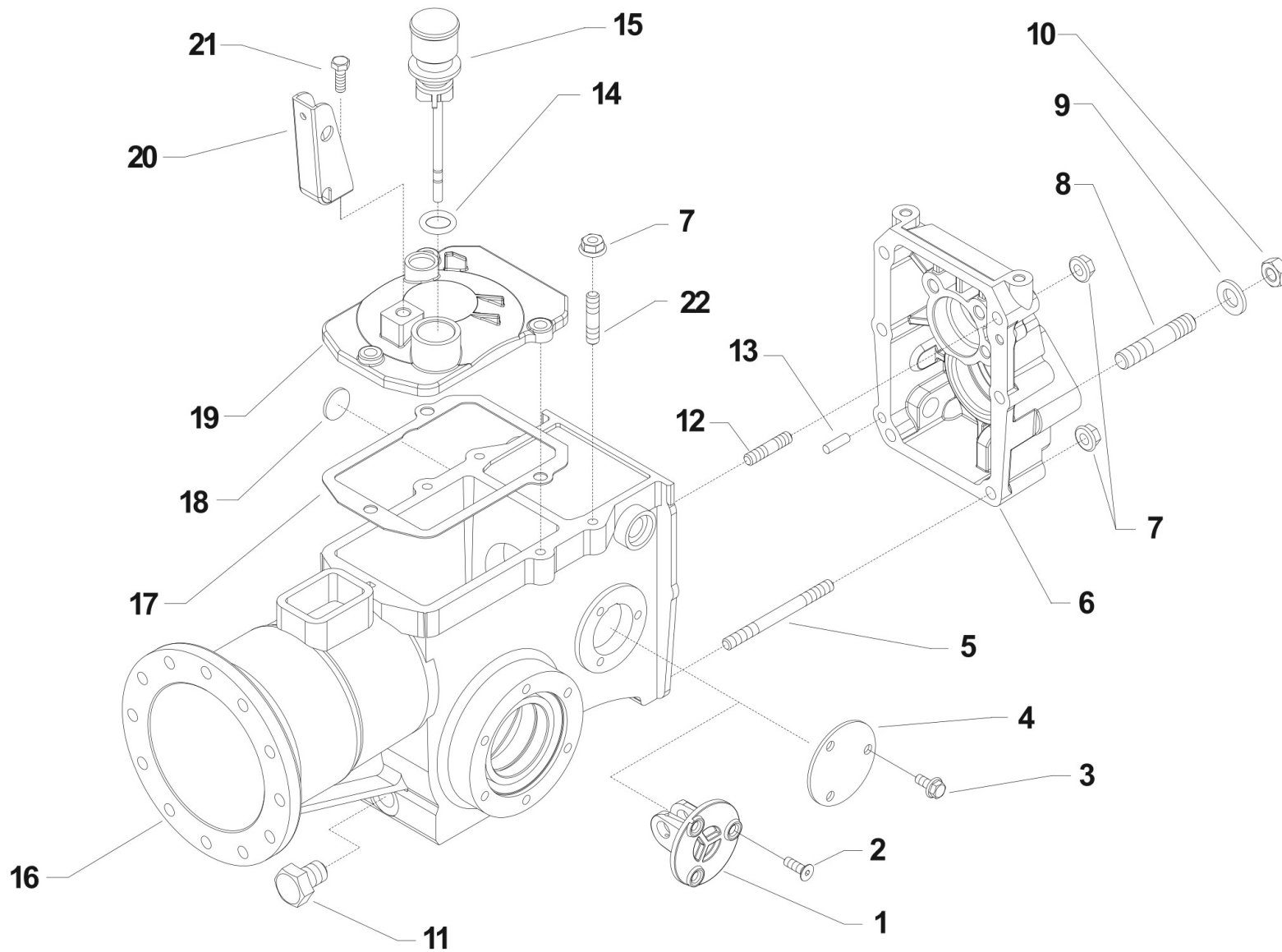


Pos.	Id	Q.ty	Description	Note
30040001	30040001	1	PLUG 1/4 UNI 364	
31112083	31112083	1	SCREW M6X12	
31112210	31112210	1	SCREW TE M10X20 UNI 5739	
31132562	31132562	1	SCREW TSVEI M6X16 UNI 5933	
31152103	31152103	1	SCREW TCEI M10X25 UNI 5931	
31221121	31221121	1	NUT M12X1,25	
31241084	31241084	1	SELFLOCK NUT M8 6S	
31241085	31241085	1	SELFLOCK NUT M8 6S	
31312082	31312082	1	STUD BOLT M8X38X14X20	
31312086	31312086	1	STUD BOLT M8X56X20X14	
31312094	31312094	1	STUD BOLT M8X68X14X36	
31312124	31312124	1	STUD BOLT 52XM12X1,25X22XM12X22 8G	
31312125	31312125	1	STUD BOLT 64XM12X1,25X26XM12X30 8G	
31423130	31423130	1	SPRING WASHER EL 13 DIN 137-B	
35121014	35121014	1	SEEGER RING E 14 DIN 471	
53156407	53156407	1	REAR COVER	
53156612	53156612	1	COVER	
53156613	53156613	1	BODY	
53156614	53156614	1	GEAR SUPPORT	
55102678	55102678	1	RUBBER RING	
55220363	55220363	1	PULLEY BRAKE	
56156261	56156261	1	PIN	
58043053	58043053	1	CYLINDRICAL PLUG	
58043117	58043117	1	COVER GASKET	
59015425	59015425	1	PLUG	
59056258	59056258	1	CLUTCH FORK	
30040133Z	30040133Z	1	PLUG 22 DIN 470	
53143128B	53143128B	1	COVER	
53143875B	53143875B	1	GEARBOX HOUSING COVER	



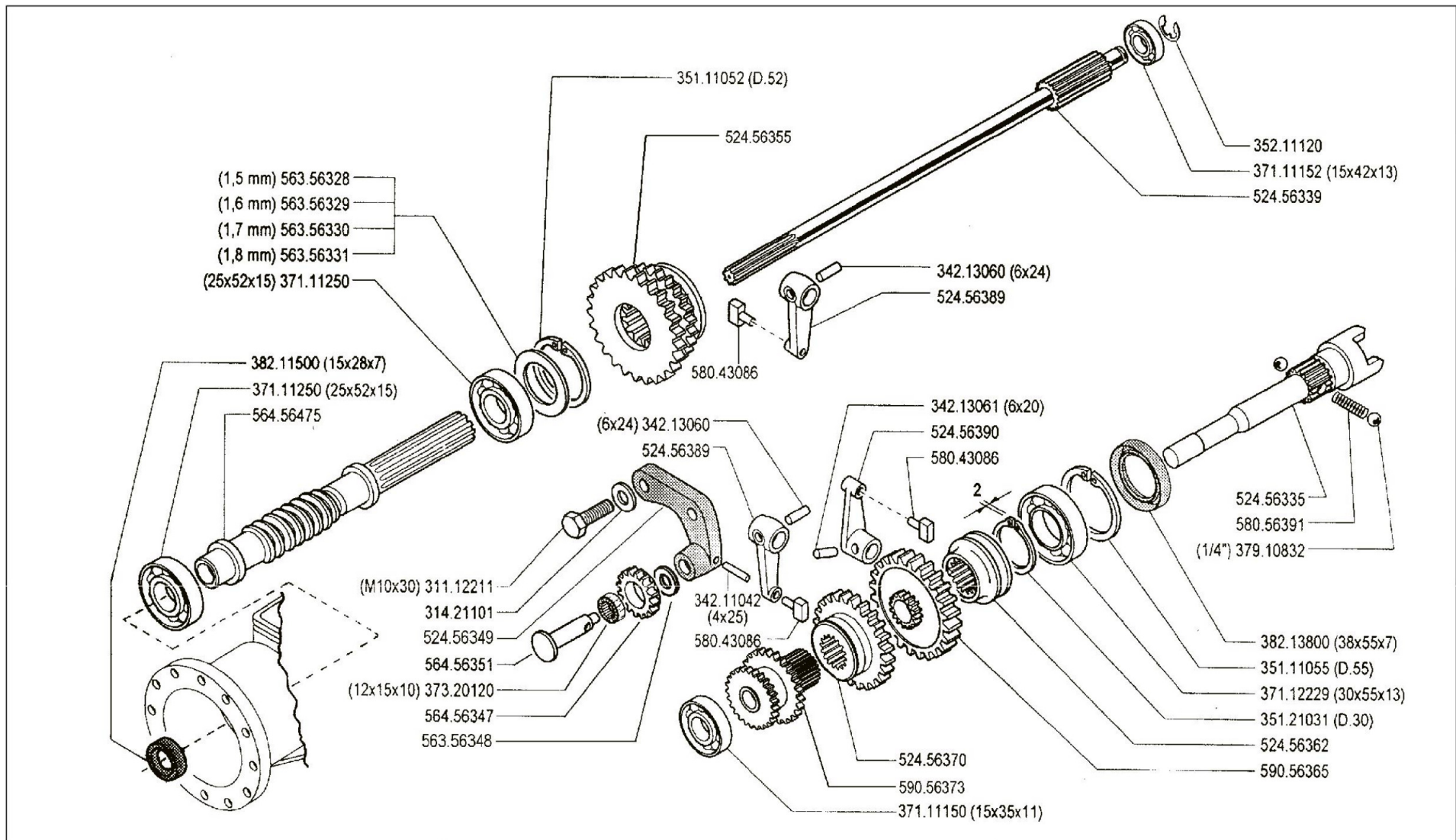
Pos.	Id	Q.ty	Description	Note
53156325B	53156325B	1	BODY	
53156332B	53156332B	1	REAR COVER	
53156342B	53156342B	1	GEAR SUPPORT	
53156346B	53156346B	1	BODY	
56147520Z	56147520Z	1	COVER	
56157394N	56157394N	1	STOP	
59056259Z	59056259Z	1	CLUTCH FORK	





Pos.	Id	Q.ty	Description	Note
1	53156342B		GEAR SUPPORT	615M
1	53156614		GEAR SUPPORT	
2	31132562		SCREW TSVEI M6X16 UNI 5933	
3	31112083		SCREW M6X12	
4	56147520Z		COVER	
5	31312094		STUD BOLT M8X68X14X36	
6	53156332B		REAR COVER	
6	53156407		REAR COVER	REFORM
7	31241084		SELFLOCK NUT M8 6S	
8	31312124		STUD BOLT 52XM12X1,25X22XM12X22 8G	615M
8	31312125		STUD BOLT 64XM12X1,25X26XM12X30 8G	
9	31421130		WASHER	
10	31221121		NUT M12X1,25	
11	30040001		PLUG 1/4 UNI 364	
12	31312086		STUD BOLT M8X56X20X14	
13	58043053		CYLINDRICAL PLUG	
14	55102678		RUBBER RING	
15	59015425		PLUG	
16	53156325B		BODY	
16	53156346B		BODY	615SLM
16	53156613		BODY	REFORM
17	58043117		COVER GASKET	
18	30040133Z		PLUG 22 DIN 470	615M
19	53143128B		COVER	
19	53143875B		GEARBOX HOUSING COVER	615SLM
19	53156612		COVER	REFORM
20	56147923N		BRACKET	Replaces 59056258 + 31421083 +31241080 + 56157394N
21	31152103		SCREW TCEI M10X25 UNI 5931	
22	31312082		STUD BOLT M8X38X14X20	





600 serie **MAX**

INGRANAGGI CAMBIO (615LM - 615SM)

GEARS
ENGRANAJES

ENGRANAGES
ZÄHNRÄDER

DALLA MACCHINA
DE LA MAQUINA
DE LA MACHINE
FROM THE MACHINE
AB DER MASCHINE

N.

F02	Rev.	0
	09/2004	

ZENNE

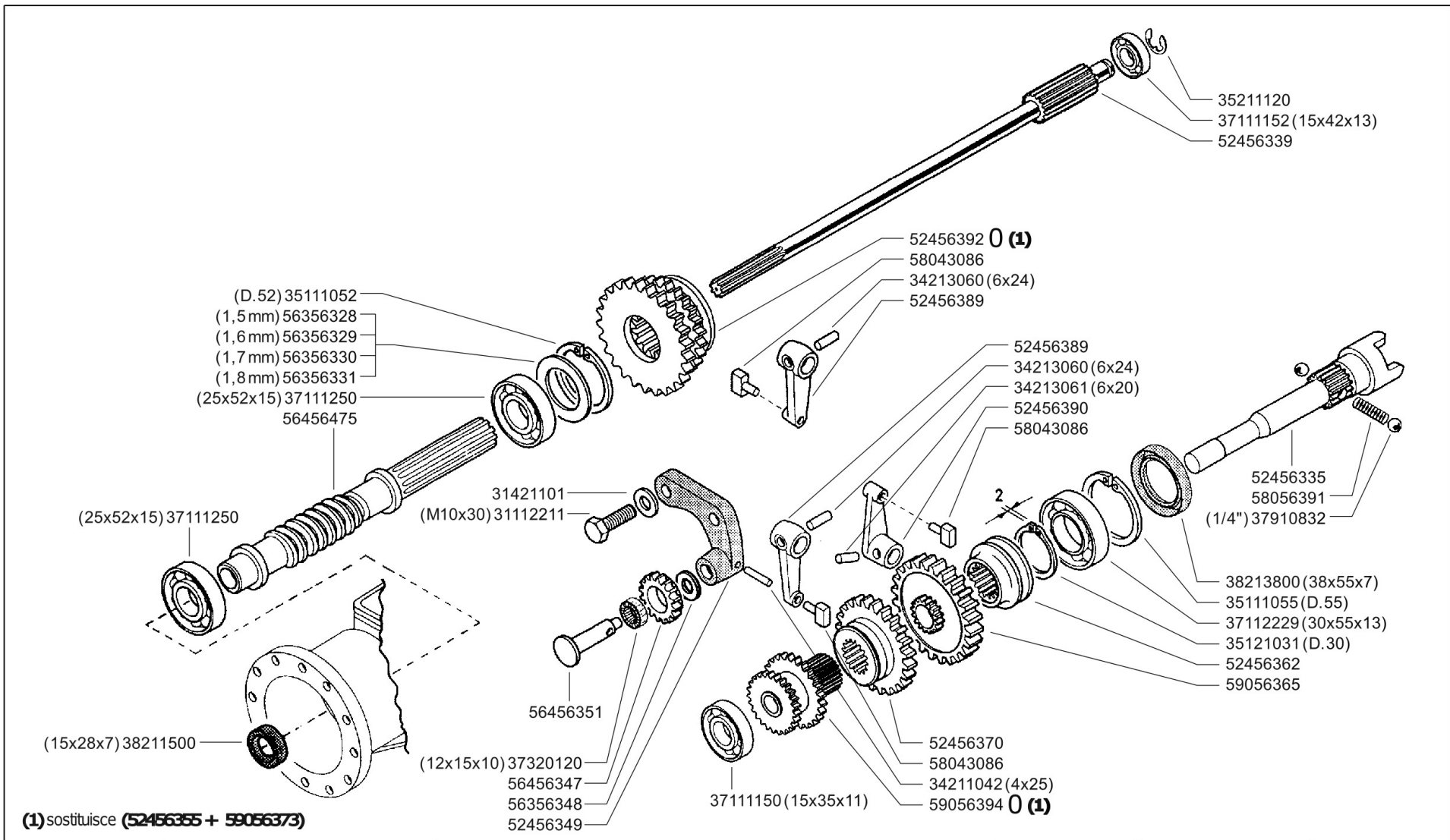


Pos.	Id	Q.ty	Description	Note
31112211	31112211	1	SCREW TE M10X30 UNI 5739	
31421101	31421101	1	WASHER 10 DIN 679	
34211042	34211042	1	ROLL PIN	
34213060	34213060	1	ROLL PIN	
34213061	34213061	1	ROLL PIN	
35111052	35111052	1	SEEGER RING I 52 DIN 472	
35111055	35111055	1	SEEGER RING I 55 DIN 472	
35121031	35121031	1	SEEGER RING E 30 UNI 7436	
35211120	35211120	1	SEEGER RING E 12 UNI 7434	
37111150	37111150	1	BEARING 6202 (15X35X11)	
37111152	37111152	1	BEARING 6302 (15X42X13) SKF	
37111250	37111250	1	BEARING	
37112229	37112229	1	BEARING 6006 (30X55X13) SKF	
37320120	37320120	1	ROLLER CAGE 12X15/10	
37910832	37910832	1	BALL 1/4	
38211500	38211500	1	OIL SEAL 15X28X7	
38213800	38213800	1	OIL SEAL 38X55X7	
52456335	52456335	1	PTO SHAFT L=161	
52456339	52456339	1	SHAFT	
52456349	52456349	1	GEAR SUPPORT	
52456355	52456355	1	SLIDER	
52456362	52456362	1	COUPLING	
52456370	52456370	1	SLIDER	
52456389	52456389	1	LEVER	
52456390	52456390	1	LEVER	
56356328	56356328	1	ADJUSTING RING SP=1,5	
56356329	56356329	1	ADJUSTING RING SP=1,6	
56356330	56356330	1	ADJUSTING RING SP=1,7	
56356331	56356331	1	ADJUSTING RING SP=1,8	



Pos.	Id	Q.ty	Description	Note
56356348	56356348	1	ADJUSTING RING	
56456347	56456347	1	GEAR	
56456351	56456351	1	GEAR PIN	
56456475	56456475	1	SCREW 2	
58043086	58043086	1	SHOE	
58056391	58056391	1	SPRING	
59056365	59056365	1	PTO GEAR	
59056373	59056373	1	DOUBLE GEAR	





	600 serie MAX	INGRANAGGICAMBIO (615LM-615SM) GEARS ENGRANAJES	ENGRANAGES ZÄHRÄDER	DALLA MACCHINA DE LA MAQUINA DE LA MACHINE FROM THE MACHINE AB DER MASCHINE	ON.	809850	F02	Rev. 1
					03/2008	03/2008		

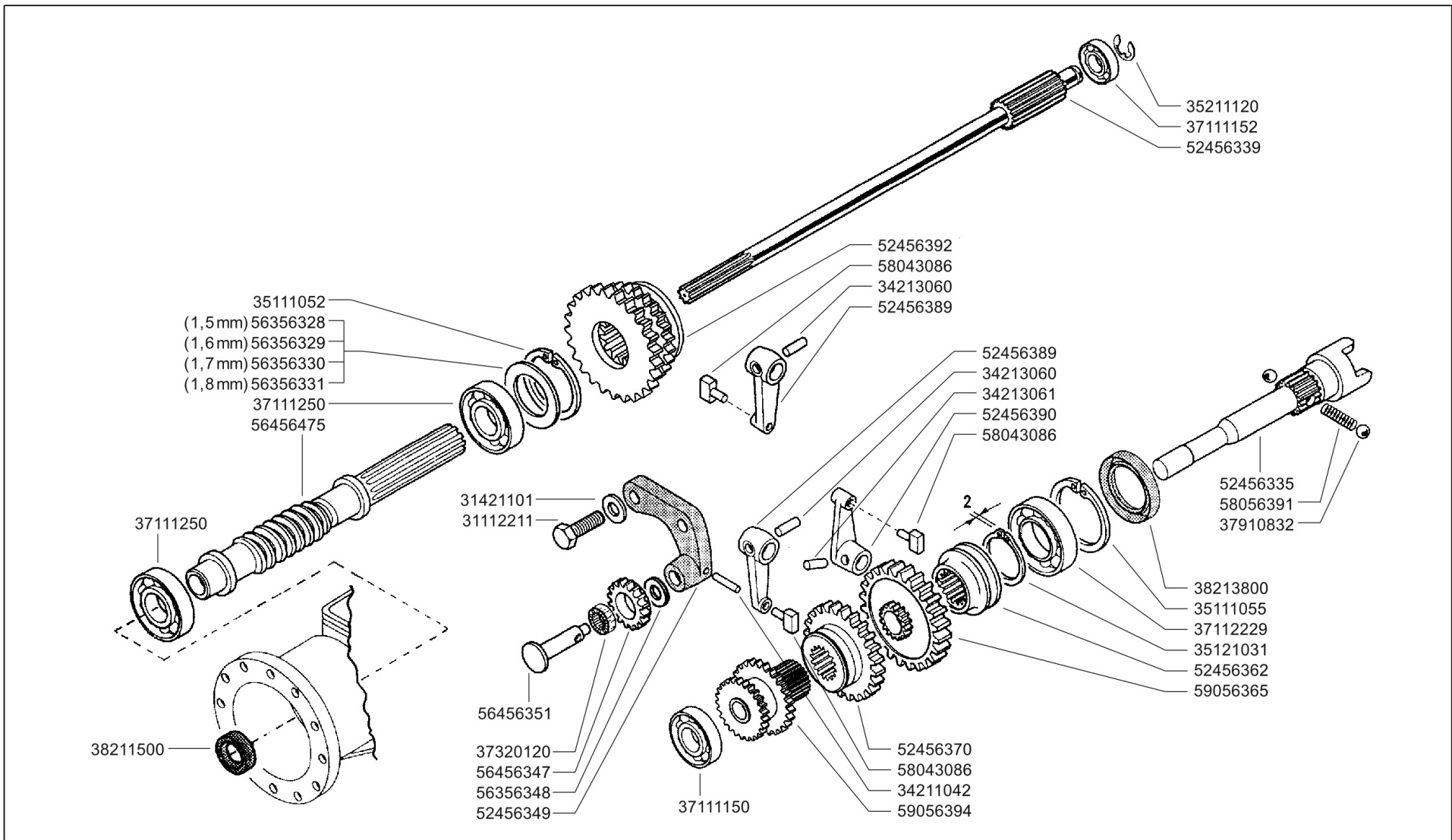


Pos.	Id	Q.ty	Description	Note
31112211	31112211	1	SCREW TE M10X30 UNI 5739	
31421101	31421101	1	WASHER 10 DIN 679	
34211042	34211042	1	ROLL PIN	
34213060	34213060	1	ROLL PIN	
34213061	34213061	1	ROLL PIN	
35111052	35111052	1	SEEGER RING I 52 DIN 472	
35111055	35111055	1	SEEGER RING I 55 DIN 472	
35121031	35121031	1	SEEGER RING E 30 UNI 7436	
35211120	35211120	1	SEEGER RING E 12 UNI 7434	
37111150	37111150	1	BEARING 6202 (15X35X11)	
37111152	37111152	1	BEARING 6302 (15X42X13) SKF	
37111250	37111250	1	BEARING	
37112229	37112229	1	BEARING 6006 (30X55X13) SKF	
37320120	37320120	1	ROLLER CAGE 12X15/10	
37910832	37910832	1	BALL 1/4	
38211500	38211500	1	OIL SEAL 15X28X7	
38213800	38213800	1	OIL SEAL 38X55X7	
52456335	52456335	1	PTO SHAFT L=161	
52456339	52456339	1	SHAFT	
52456349	52456349	1	GEAR SUPPORT	
52456362	52456362	1	COUPLING	
52456370	52456370	1	SLIDER	
52456389	52456389	1	LEVER	
52456390	52456390	1	LEVER	
52456392	52456392	1	SLIDER	
56356328	56356328	1	ADJUSTING RING SP=1,5	
56356329	56356329	1	ADJUSTING RING SP=1,6	
56356330	56356330	1	ADJUSTING RING SP=1,7	
56356331	56356331	1	ADJUSTING RING SP=1,8	



Pos.	Id	Q.ty	Description	Note
56356348	56356348	1	ADJUSTING RING	
56456347	56456347	1	GEAR	
56456351	56456351	1	GEAR PIN	
56456475	56456475	1	SCREW 2	
58043086	58043086	1	SHOE	
58056391	58056391	1	SPRING	
59056365	59056365	1	PTO GEAR	
59056394	59056394	1	DOUBLE GEAR	





	600 serie MAX	INGRANAGGICAMBIO (615LM-615SM-615SLM0)		DALLA MACCHINA DE LA MAQUINA DE LA MACHINE FROM THE MACHINE AB DER MASCHINE ON.	AGGIORNAMENTO	F02	Rev.				
		GEARS	ENGRANAJES		ENGRANAGES		ZÄHNRÄDER	REVISION	2		
		ENGRANAJES	ZÄHNRÄDER		MISE A JOUR		APLAZAMIENTO	ANPASSUNG	01/2009		
							ZENE				

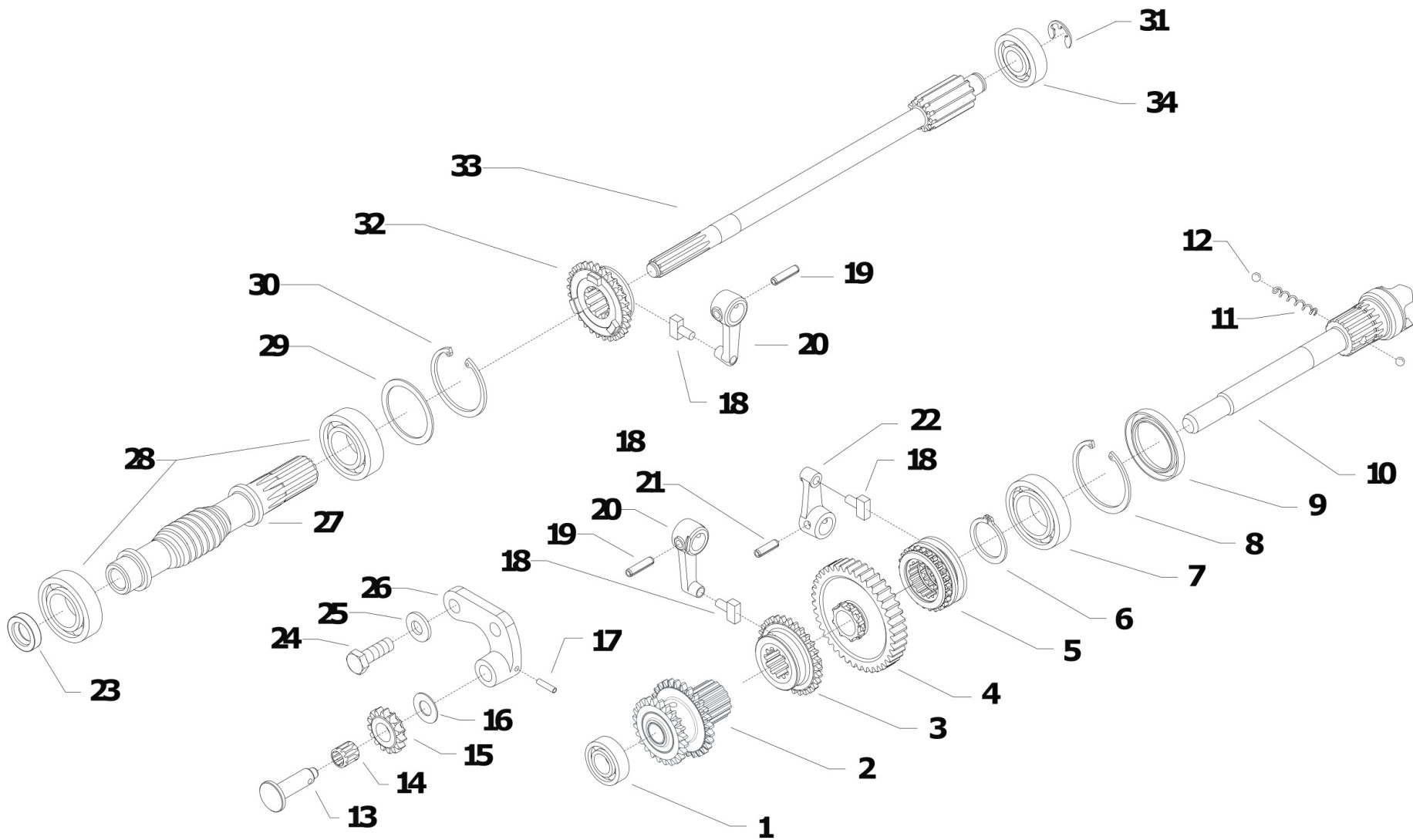


Pos.	Id	Q.ty	Description	Note
31112211	31112211	1	SCREW TE M10X30 UNI 5739	
31421101	31421101	1	WASHER 10 DIN 679	
34211042	34211042	1	ROLL PIN	
34213060	34213060	1	ROLL PIN	
34213061	34213061	1	ROLL PIN	
35111052	35111052	1	SEEGER RING I 52 DIN 472	
35111055	35111055	1	SEEGER RING I 55 DIN 472	
35121031	35121031	1	SEEGER RING E 30 UNI 7436	
35211120	35211120	1	SEEGER RING E 12 UNI 7434	
37111150	37111150	1	BEARING 6202 (15X35X11)	
37111152	37111152	1	BEARING 6302 (15X42X13) SKF	
37111250	37111250	1	BEARING	
37112229	37112229	1	BEARING 6006 (30X55X13) SKF	
37320120	37320120	1	ROLLER CAGE 12X15/10	
37910832	37910832	1	BALL 1/4	
38211500	38211500	1	OIL SEAL 15X28X7	
38213800	38213800	1	OIL SEAL 38X55X7	
52456335	52456335	1	PTO SHAFT L=161	
52456339	52456339	1	SHAFT	
52456349	52456349	1	GEAR SUPPORT	
52456362	52456362	1	COUPLING	
52456370	52456370	1	SLIDER	
52456389	52456389	1	LEVER	
52456390	52456390	1	LEVER	
52456392	52456392	1	SLIDER	
56356328	56356328	1	ADJUSTING RING SP=1,5	
56356329	56356329	1	ADJUSTING RING SP=1,6	
56356330	56356330	1	ADJUSTING RING SP=1,7	
56356331	56356331	1	ADJUSTING RING SP=1,8	



Pos.	Id	Q.ty	Description	Note
56356348	56356348	1	ADJUSTING RING	
56456347	56456347	1	GEAR	
56456351	56456351	1	GEAR PIN	
56456475	56456475	1	SCREW 2	
58043086	58043086	1	SHOE	
58056391	58056391	1	SPRING	
59056365	59056365	1	PTO GEAR	
59056394	59056394	1	DOUBLE GEAR	



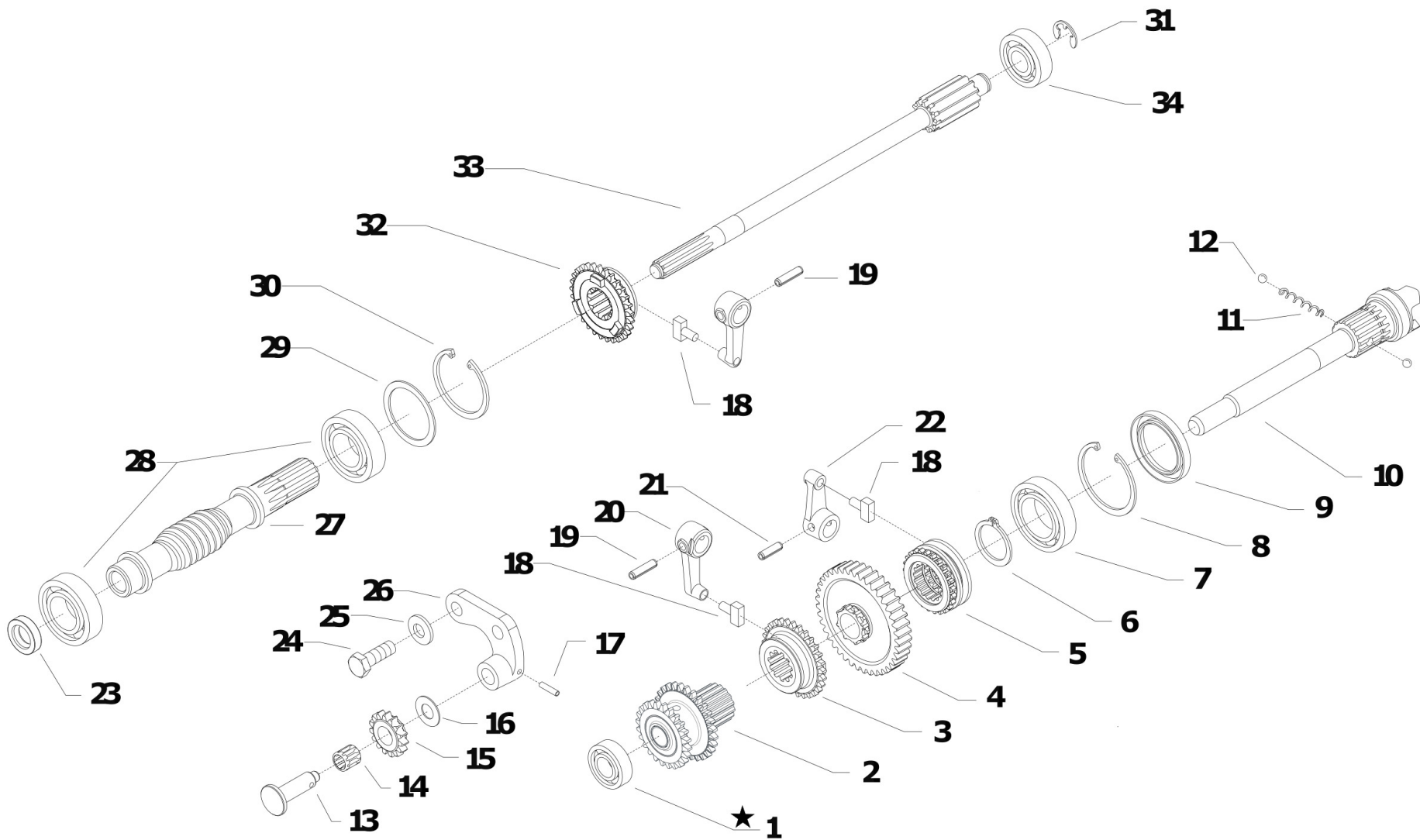


Pos.	Id	Q.ty	Description	Note
1	37111150		BEARING 6202 (15X35X11)	
2	59056394		DOUBLE GEAR	
3	52456370		SLIDER	
4	59056707		GEAR	Replaces 59056365 + 52456362
5	52456706		PTO COUPLING	Replaces 59056365 + 52456362
6	35121031		SEEGER RING E 30 UNI 7436	
7	37112229		BEARING 6006 (30X55X13) SKF	
8	35111055		SEEGER RING I 55 DIN 472	
9	38213800		OIL SEAL 38X55X7	
10	52456335		PTO SHAFT L=161	
11	58056391		SPRING	
12	37910832		BALL 1/4	
13	56456736		GEAR PIN	Replaces 56456351
14	37320120		ROLLER CAGE 12X15/10	
15	56456347		GEAR	
16	56356348		ADJUSTING RING	
17	34211042		ROLL PIN	
18	58043086		SHOE	
19	34213060		ROLL PIN	
20	52456389		LEVER	
21	34213061		ROLL PIN	
22	52456390		LEVER	
23	38211500		OIL SEAL 15X28X7	
24	31112211		SCREW TE M10X30 UNI 5739	
25	31421101		WASHER 10 DIN 679	
26	52456349		GEAR SUPPORT	
27	56456475		SCREW 2	
28	37111255		BEARING 6205 (25X52X15)	
29	56356328		ADJUSTING RING SP=1,5	



Pos.	Id	Q.ty	Description	Note
29	56356329		ADJUSTING RING SP=1,6	
29	56356330		ADJUSTING RING SP=1,7	
29	56356331		ADJUSTING RING SP=1,8	
30	35111052		SEEGER RING I 52 DIN 472	
31	35211120		SEEGER RING E 12 UNI 7434	
32	52456392		SLIDER	
33	52456339		SHAFT	
34	37111152		BEARING 6302 (15X42X13) SKF	





 [Click for info](#)

★ 1 = new part

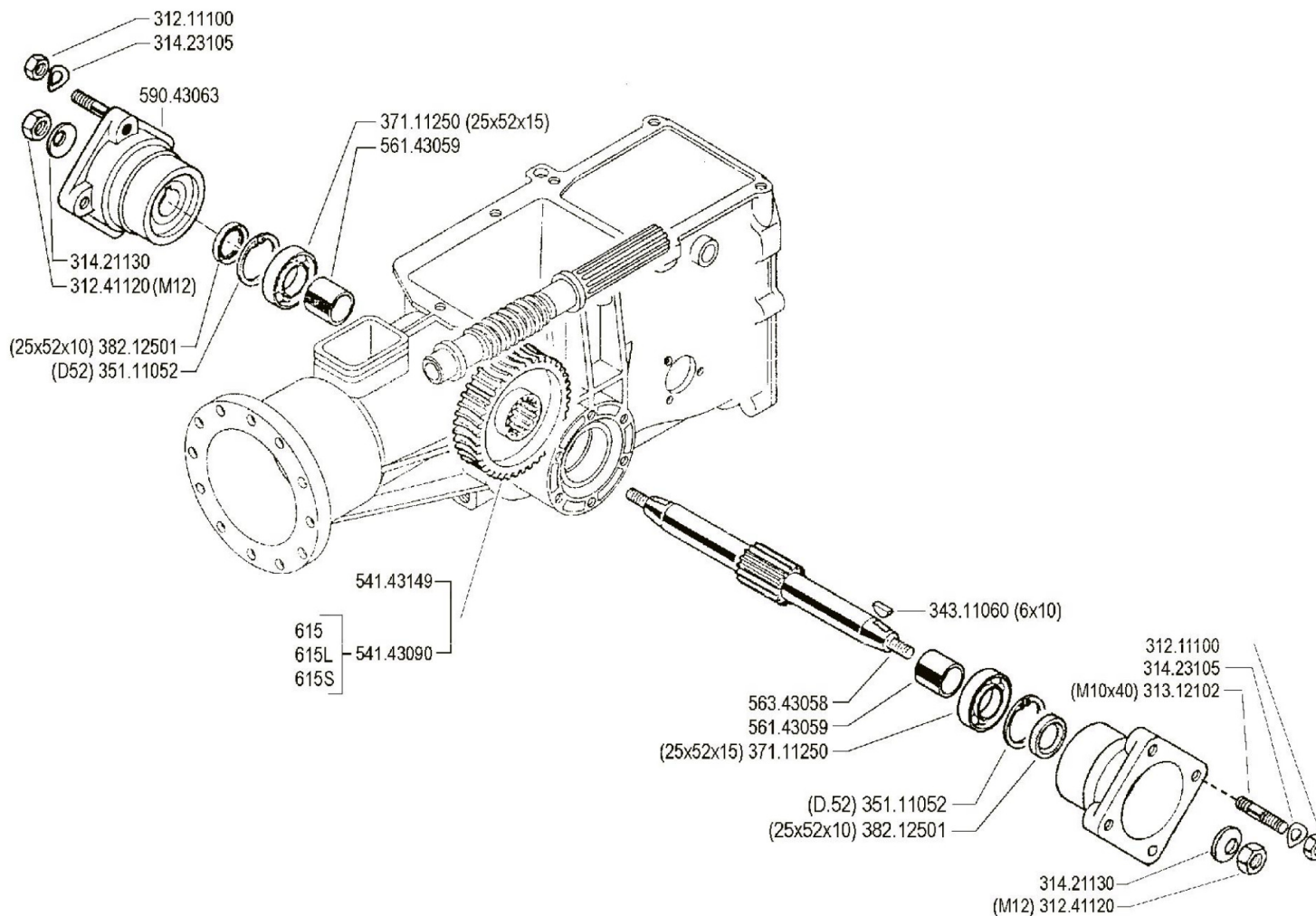


Pos.	Id	Q.ty	Description	Note
1	37111151		BEARING 6202 (15X35X11)	REPLACES 37111150
2	59056394		DOUBLE GEAR	
3	52456370		SLIDER	
4	59056707		GEAR	Replaces 59056365 + 52456362
5	52456706		PTO COUPLING	Replaces 59056365 + 52456362
6	35121031		SEEGER RING E 30 UNI 7436	
7	37112229		BEARING 6006 (30X55X13) SKF	
8	35111055		SEEGER RING I 55 DIN 472	
9	38213800		OIL SEAL 38X55X7	
10	52456335		PTO SHAFT L=161	
11	58056391		SPRING	
12	37910832		BALL 1/4	
13	56456736		GEAR PIN	Replaces 56456351
14	37320120		ROLLER CAGE 12X15/10	
15	56456347		GEAR	
16	56356348		ADJUSTING RING	
17	34211042		ROLL PIN	
18	58043086		SHOE	
19	34213060		ROLL PIN	
20	52456389		LEVER	
21	34213061		ROLL PIN	
22	52456390		LEVER	
23	38211500		OIL SEAL 15X28X7	
24	31112211		SCREW TE M10X30 UNI 5739	
25	31421101		WASHER 10 DIN 679	
26	52456349		GEAR SUPPORT	
27	56456475		SCREW 2	
28	37111255		BEARING 6205 (25X52X15)	
29	56356328		ADJUSTING RING SP=1,5	



Pos.	Id	Q.ty	Description	Note
29	56356329		ADJUSTING RING SP=1,6	
29	56356330		ADJUSTING RING SP=1,7	
29	56356331		ADJUSTING RING SP=1,8	
30	35111052		SEEGER RING I 52 DIN 472	
31	35211120		SEEGER RING E 12 UNI 7434	
32	52456392		SLIDER	
33	52456339		SHAFT	
34	37111152		BEARING 6302 (15X42X13) SKF	





600 serie **MAX**

ASSE RUOTE (615M - 615LM - 615SM - 620M)

WHEEL AXLE
EJE RUEDAS

ESSIEU ROUES
RADACHSE

DALLA MACCHINA
DE LA MAQUINA
DE LA MACHINE
FROM THE MACHINE
AB DER MASCHINE

N.

G01

Rev. **0**

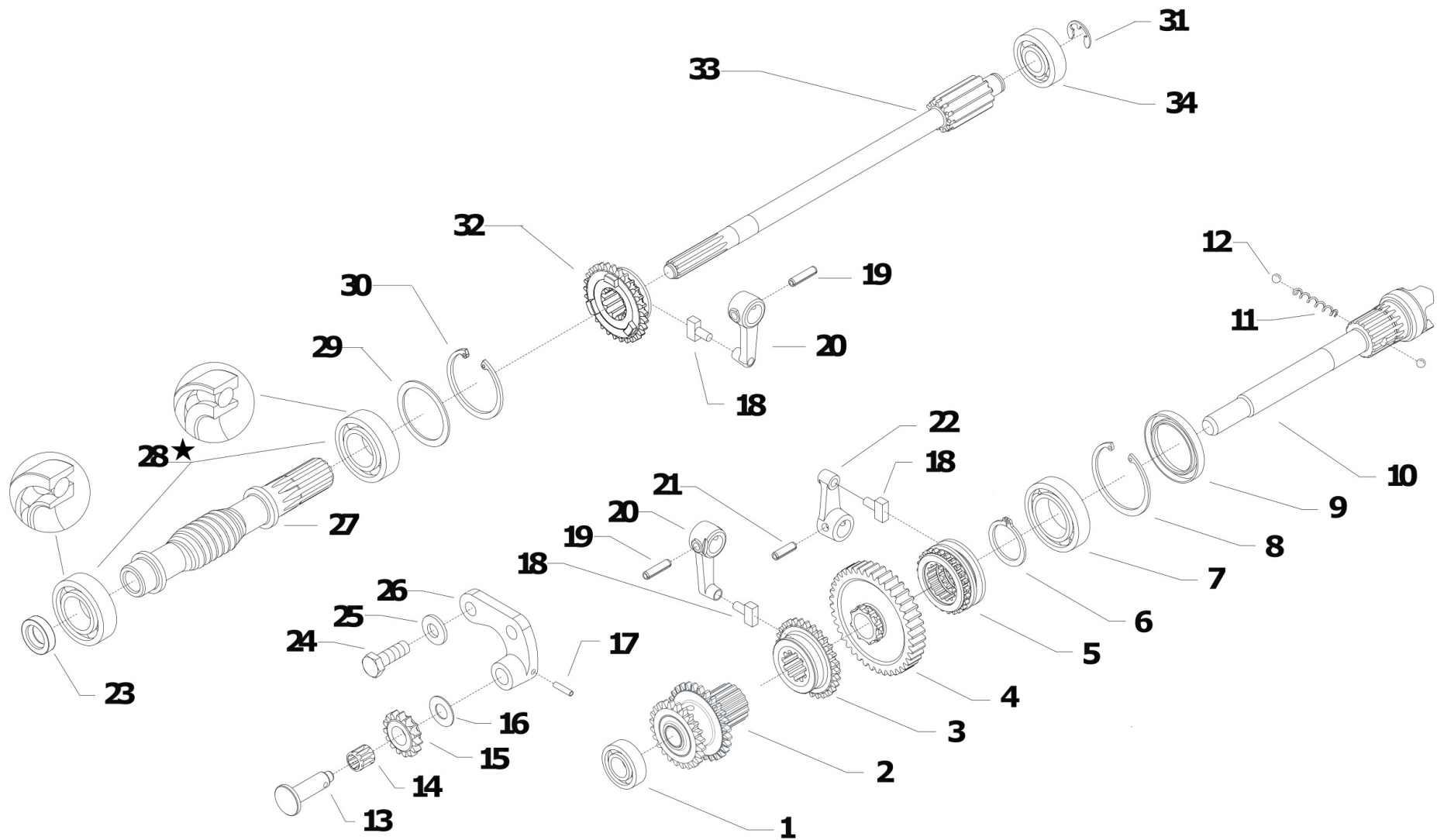
09/2004

ZENNE



Pos.	Id	Q.ty	Description	Note
31211100	31211100	1	NUT M10	
31241120	31241120	1	SELFLOCK NUT M12	
31312102	31312102	1	STUD BOLT M10X40X24X12	
31421130	31421130	1	WASHER	
31423105	31423105	1	SPRING WASHER 10,5	
34311060	34311060	1	KEY 6X10 UNI 6606	
35111052	35111052	1	SEEGER RING I 52 DIN 472	
37111250	37111250	1	BEARING	
38212501	38212501	1	OIL SEAL 25X52X10	
54143090	54143090	1	CROWN WHEELZ=49 DESTROSA	
54143149	54143149	1	CROWN WHEEL Z=49 MF SINIS	
56143059	56143059	1	SPACER	
56343058	56343058	1	AXLE SHAFT	
59043063	59043063	1	WHEEL HUB	





 [Click for info](#)

= new part

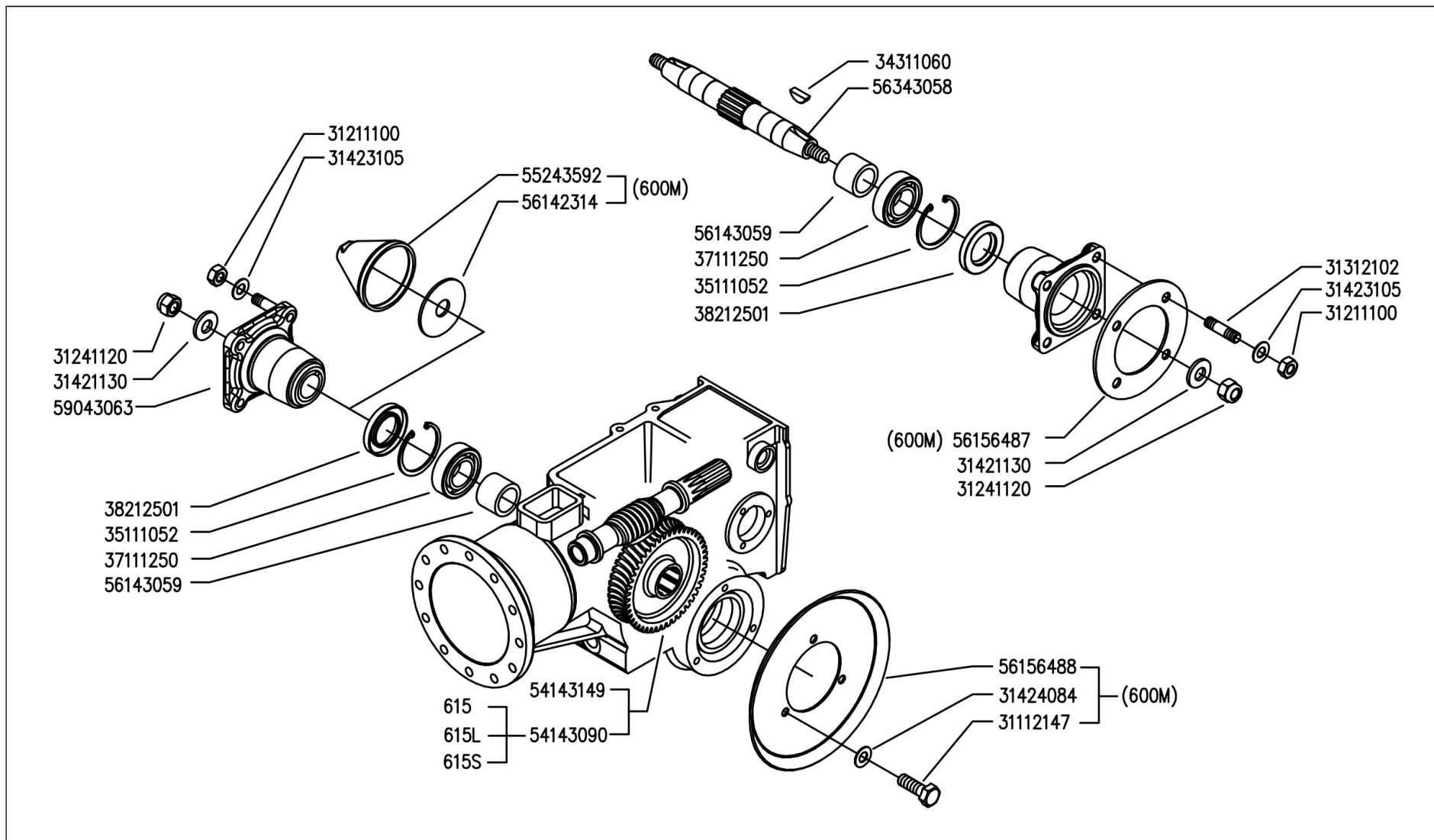



Pos.	Id	Q.ty	Description	Note
1	37111151		BEARING 6202 (15X35X11)	
2	59056394		DOUBLE GEAR	
3	52456370		SLIDER	
4	59056707		GEAR	Replaces 59056365 + 52456362
5	52456706		PTO COUPLING	Replaces 59056365 + 52456362
6	35121031		SEEGER RING E 30 UNI 7436	
7	37112229		BEARING 6006 (30X55X13) SKF	
8	35111055		SEEGER RING I 55 DIN 472	
9	38213800		OIL SEAL 38X55X7	
10	52456335		PTO SHAFT L=161	
11	58056391		SPRING	
12	37910832		BALL 1/4	
13	56456736		GEAR PIN	Replaces 56456351
14	37320120		ROLLER CAGE 12X15/10	
15	56456347		GEAR	
16	56356348		ADJUSTING RING	
17	34211042		ROLL PIN	
18	58043086		SHOE	
19	34213060		ROLL PIN	
20	52456389		LEVER	
21	34213061		ROLL PIN	
22	52456390		LEVER	
23	38211500		OIL SEAL 15X28X7	
24	31112211		SCREW TE M10X30 UNI 5739	
25	31421101		WASHER 10 DIN 679	
26	52456349		GEAR SUPPORT	
27	56456475		SCREW 2	
28	37141250		BEARING 7205-B OBL SKF	REPLACES 37111255
29	56356328		ADJUSTING RING SP=1,5	



Pos.	Id	Q.ty	Description	Note
29	56356329		ADJUSTING RING SP=1,6	
29	56356330		ADJUSTING RING SP=1,7	
29	56356331		ADJUSTING RING SP=1,8	
30	35111052		SEEGER RING I 52 DIN 472	
31	35211120		SEEGER RING E 12 UNI 7434	
32	52456392		SLIDER	
33	52456339		SHAFT	
34	37111152		BEARING 6302 (15X42X13) SKF	



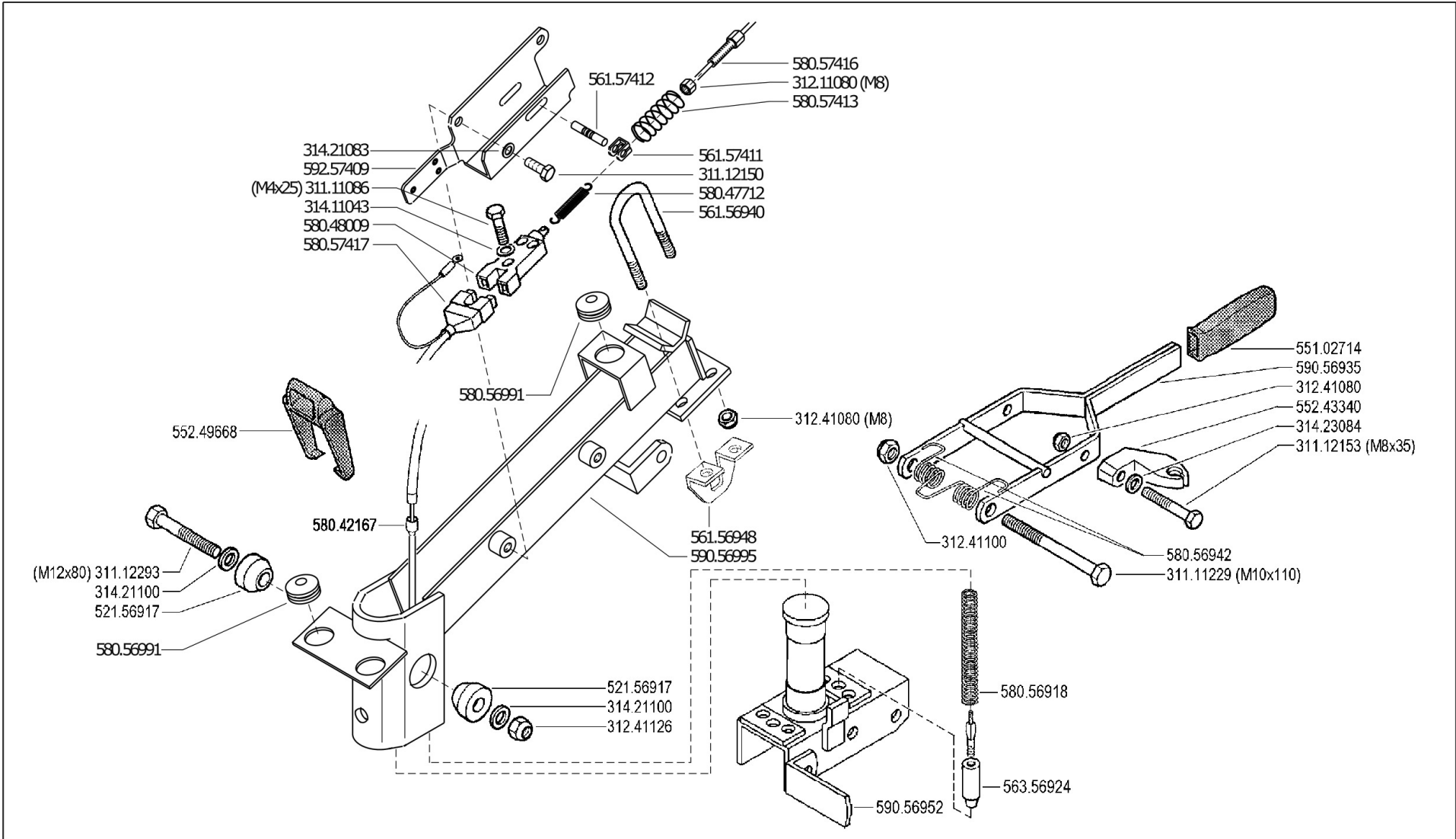


	600 serie MAX	ASSE RUOTE (600M-615M-615LM-615SM-620M) WHEELS AXLE EJE RUEDAS	ESSIEUS ROUES RÄDACHSE	DALLA MACCHINA DE LA MAQUINA FROM THE MACHINE AB DER MASCHINE ★N.	AGGIORNAMENTO	G01	Rev. 1
					REVISION		
					ANPASSUNG	06/2006	



Pos.	Id	Q.ty	Description	Note
31112147	31112147	1	SCREW TE M8X18 UNI 5739 8G	
31211100	31211100	1	NUT M10	
31241120	31241120	1	SELFLOCK NUT M12	
31312102	31312102	1	STUD BOLT M10X40X24X12	
31421130	31421130	1	WASHER	
31423105	31423105	1	SPRING WASHER 10,5	
31424084	31424084	1	SPRING WASHER 8,4	
34311060	34311060	1	KEY 6X10 UNI 6606	
35111052	35111052	1	SEEGER RING I 52 DIN 472	
37111250	37111250	1	BEARING	
38212501	38212501	1	OIL SEAL 25X52X10	
54143090	54143090	1	CROWN WHEELZ=49 DESTROSA	
54143149	54143149	1	CROWN WHEEL Z=49 MF SINIS	
55243592	55243592	1	CAP	
56142314	56142314	1	WASHER 12,5x34/4	
56143059	56143059	1	SPACER	
56156487	56156487	1	SPACER 3.50-8	
56156488	56156488	1	GUARD	
56343058	56343058	1	AXLE SHAFT	
59043063	59043063	1	WHEEL HUB	





	600 serie MAX	PIANTONE (615M-615LM-615SM) STEERING COLUMN COLUMNNA	PLANTON LENKSÄULE	DALLA MACCHINA DE LA MAQUINA DE LA MACHINE FROM THE MACHINE AB DER MASCHINE	Rev.
					H01 0
				09/2004	ZENE

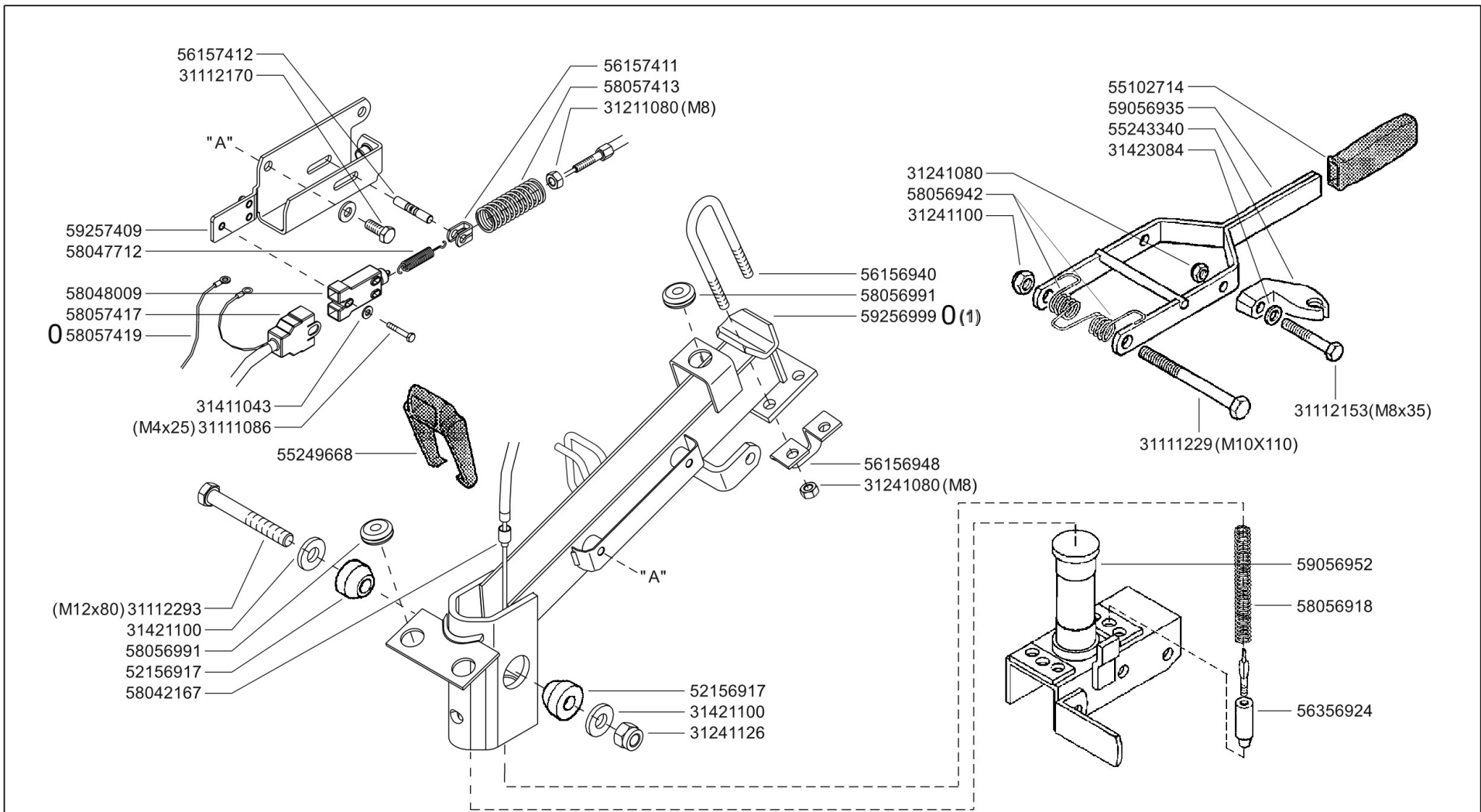


Pos.	Id	Q.ty	Description	Note
31111086	31111086	1	SCREW TE M4X25 UNI 5739 8G	
31111229	31111229	1	SCREW TE M10X110 UNI 5737 8G	
31112150	31112150	1	SCREW TE M8X20 UNI 5739 8G	
31112153	31112153	1	SCREW TE M8X35 UNI 5739 8G	
31112293	31112293	1	SCREW TE M12X80 UNI 5737	
31211080	31211080	1	NUT M8	
31241080	31241080	1	HEXAGON SELFLOCK NUT M8	
31241100	31241100	1	SELFLOCK HEXAGON NUT M10	
31241126	31241126	1	SELFLOCK NUT M12	
31411043	31411043	1	WASHER 4,3X9	
31421083	31421083	1	WASHER	
31421100	31421100	1	CUP SPRING 25X12,2X1,5 D2093	
31423084	31423084	1	SPRING WASHER 8,4	
52156917	52156917	1	WEDGE	
55102714	55102714	1	FLAT KNOB	
55243340	55243340	1	SUPPORT	
55249668	55249668	1	PASSING	
56156940	56156940	1	U BOLT	
56156948	56156948	1	STOP	
56157411	56157411	1	FORK	
56157412	56157412	1	PIN	
56356924	56356924	1	FERRULE	
58042167	58042167	1	SHEATH END	
58047712	58047712	1	SPRING	
58048009	58048009	1	ENGINE STOP SWITCH	
58056918	58056918	1	SPRING	
58056942	58056942	1	SPRING	
58056991	58056991	1	CABLE GLAND 90/200/30	
58057413	58057413	1	RETAINING SPRING	



Pos.	Id	Q.ty	Description	Note
58057416	58057416	1	LINE AND SHEATH M/S L=620 MF/04	
58057417	58057417	1	WIRING MOT/STOP L=950	
59056935	59056935	1	LEVER	
59056952	59056952	1	SUPPORT	
59056995	59056995	1	COLUMN	
59257409	59257409	1	SUPPORT	





(1) sostituisce 59056995

	600 serie MAX	PIANTONE (615M-615LM-615SM)		DALLA MACCHINA DE LA MAQUINA DE LA MACHINE FROM THE MACHINE AB DER MASCHINE ON.	Rev. 1
		STEERING COLUMN COLUMNNA	PLANTON LENKSÄULE		
				794196	ZENE

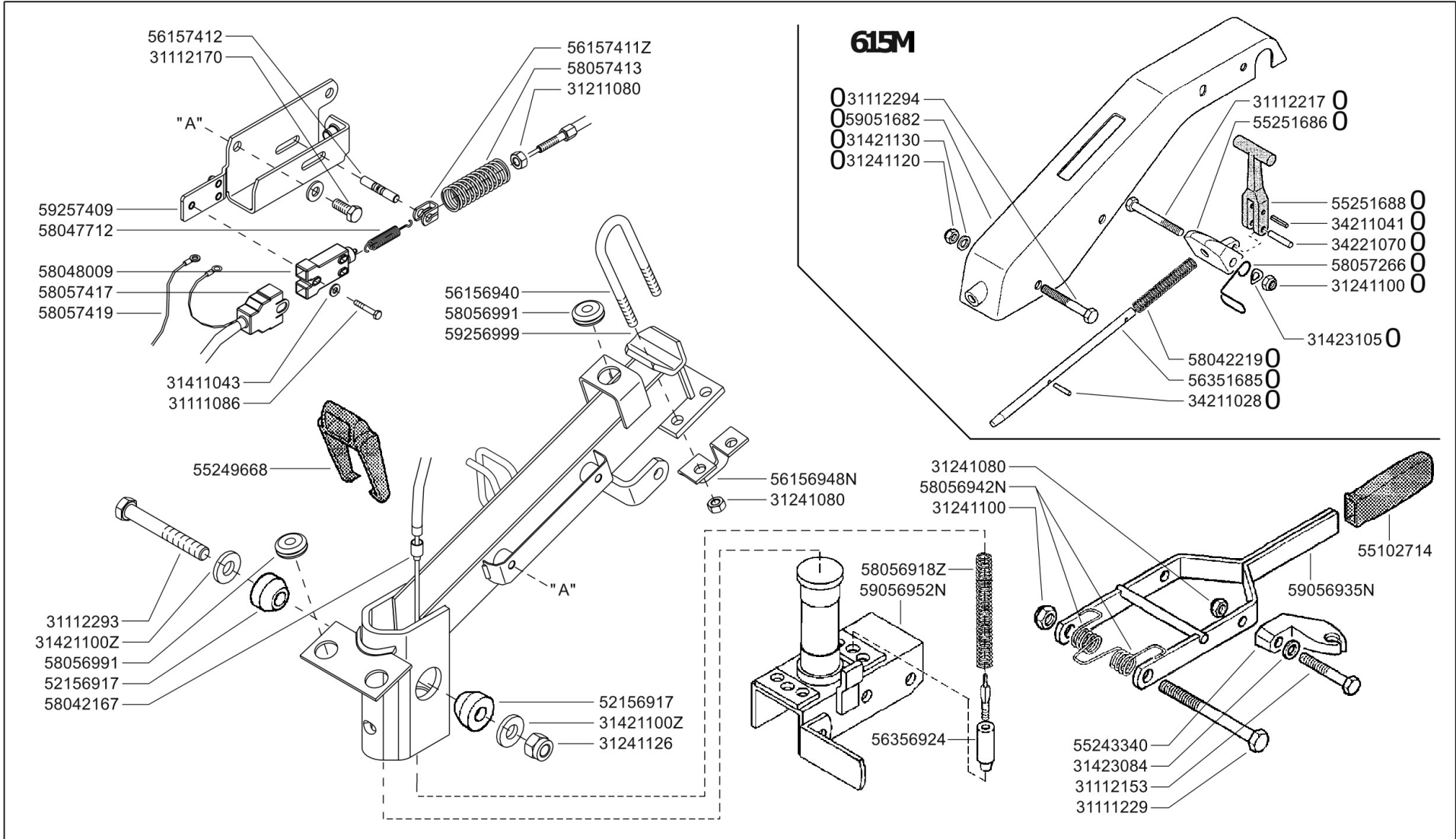


Pos.	Id	Q.ty	Description	Note
31111086	31111086	1	SCREW TE M4X25 UNI 5739 8G	
31111229	31111229	1	SCREW TE M10X110 UNI 5737 8G	
31112153	31112153	1	SCREW TE M8X35 UNI 5739 8G	
31112170	31112170	1	SCREW TE C/F M8X20 DIN 6921	
31112293	31112293	1	SCREW TE M12X80 UNI 5737	
31211080	31211080	1	NUT M8	
31241080	31241080	1	HEXAGON SELFLOCK NUT M8	
31241100	31241100	1	SELFLOCK HEXAGON NUT M10	
31241126	31241126	1	SELFLOCK NUT M12	
31411043	31411043	1	WASHER 4,3X9	
31421100	31421100	1	CUP SPRING 25X12,2X1,5 D2093	
31423084	31423084	1	SPRING WASHER 8,4	
52156917	52156917	1	WEDGE	
55102714	55102714	1	FLAT KNOB	
55243340	55243340	1	SUPPORT	
55249668	55249668	1	PASSING	
56156940	56156940	1	U BOLT	
56156948	56156948	1	STOP	
56157411	56157411	1	FORK	
56157412	56157412	1	PIN	
56356924	56356924	1	FERRULE	
58042167	58042167	1	SHEATH END	
58047712	58047712	1	SPRING	
58048009	58048009	1	ENGINE STOP SWITCH	
58056918	58056918	1	SPRING	
58056942	58056942	1	SPRING	
58056991	58056991	1	CABLE GLAND 90/200/30	
58057413	58057413	1	RETAINING SPRING	
58057417	58057417	1	WIRING MOT/STOP L=950	



Pos.	Id	Q.ty	Description	Note
58057419	58057419	1	WIRING MC L=700	
59056935	59056935	1	LEVER	
59056952	59056952	1	SUPPORT	
59256999	59256999	1	COLUMN	
59257409	59257409	1	SUPPORT	





	600 serie MAX	PIANTONE (615M-615LM-615SM-615SLM0) STEERING COLUMN COLUMNNA PLANTON LENKSÄULE	DALLA MACCHINA DE LA MAQUINA DE LA MACHINE FROM THE MACHINE AB DER MASCHINE ON.	ERRATA CORRIGE	Rev.
				825532 (615M)	H01 2 01/2009

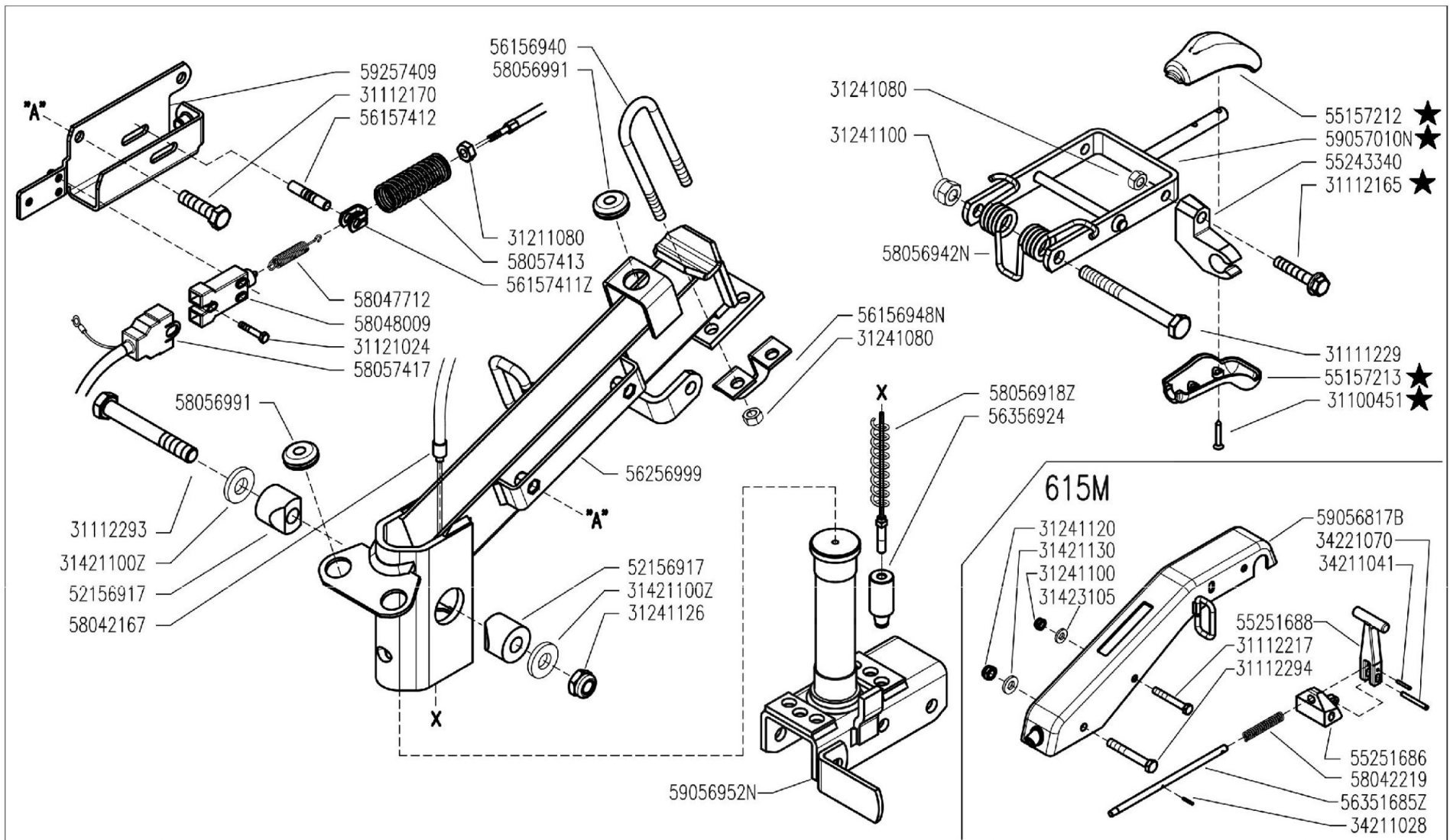


Pos.	Id	Q.ty	Description	Note
31111086	31111086	1	SCREW TE M4X25 UNI 5739 8G	
31111229	31111229	1	SCREW TE M10X110 UNI 5737 8G	
31112153	31112153	1	SCREW TE M8X35 UNI 5739 8G	
31112170	31112170	1	SCREW TE C/F M8X20 DIN 6921	
31112217	31112217	1	SCREW TE M10X80 UNI 5737	
31112293	31112293	1	SCREW TE M12X80 UNI 5737	
31112294	31112294	1	SCREW TE M12X85 UNI 5737	
31211080	31211080	1	NUT M8	
31241080	31241080	1	HEXAGON SELFLOCK NUT M8	
31241100	31241100	1	SELFLOCK HEXAGON NUT M10	
31241120	31241120	1	SELFLOCK NUT M12	
31241126	31241126	1	SELFLOCK NUT M12	
31411043	31411043	1	WASHER 4,3X9	
31421130	31421130	1	WASHER	
31423084	31423084	1	SPRING WASHER 8,4	
31423105	31423105	1	SPRING WASHER 10,5	
34211028	34211028	1	ROLL PIN 3,0X18 DIN 1481	
34211041	34211041	1	ROLL PIN	
34221070	34221070	1	CYLINDRICAL PLUG 8X50 UNI 1707	
52156917	52156917	1	WEDGE	
55102714	55102714	1	FLAT KNOB	
55243340	55243340	1	SUPPORT	
55249668	55249668	1	PASSING	
55251686	55251686	1	LEVER BEARING	
55251688	55251688	1	LEVER	
56156940	56156940	1	U BOLT	
56157412	56157412	1	PIN	
56351685	56351685	1	ROD	
56356924	56356924	1	FERRULE	



Pos.	Id	Q.ty	Description	Note
58042167	58042167	1	SHEATH END	
58042219	58042219	1	SPRING	
58047712	58047712	1	SPRING	
58048009	58048009	1	ENGINE STOP SWITCH	
58056991	58056991	1	CABLE GLAND 90/200/30	
58057266	58057266	1	HOLDER	
58057413	58057413	1	RETAINING SPRING	
58057417	58057417	1	WIRING MOT/STOP L=950	
58057419	58057419	1	WIRING MC L=700	
59051682	59051682	1	HANDLE BAR COLUMN	
59256999	59256999	1	COLUMN	
59257409	59257409	1	SUPPORT	
31421100Z	31421100Z	1	CUP SPRING 25X12,2X1,5 D2093	
56156948N	56156948N	1	STOP	
56157411Z	56157411Z	1	FORK	
58056918Z	58056918Z	1	SPRING	
58056942N	58056942N	1	SPRING	
59056935N	59056935N	1	LEVER	
59056952N	59056952N	1	SUPPORT	





600 serie MAX

PIANTONE (615M-615LM-615SM-615SLM)

STEERING COLUMN
COLUMNNA

PLANTON
LENKSÄULE

DALLA MACCHINA
DE LA MAQUINA
FROM THE MACHINE
AB DER MASCHINE

★ N.

863996

H01 3

10/2010

Rev.

DITE BCS - Scala 1:4

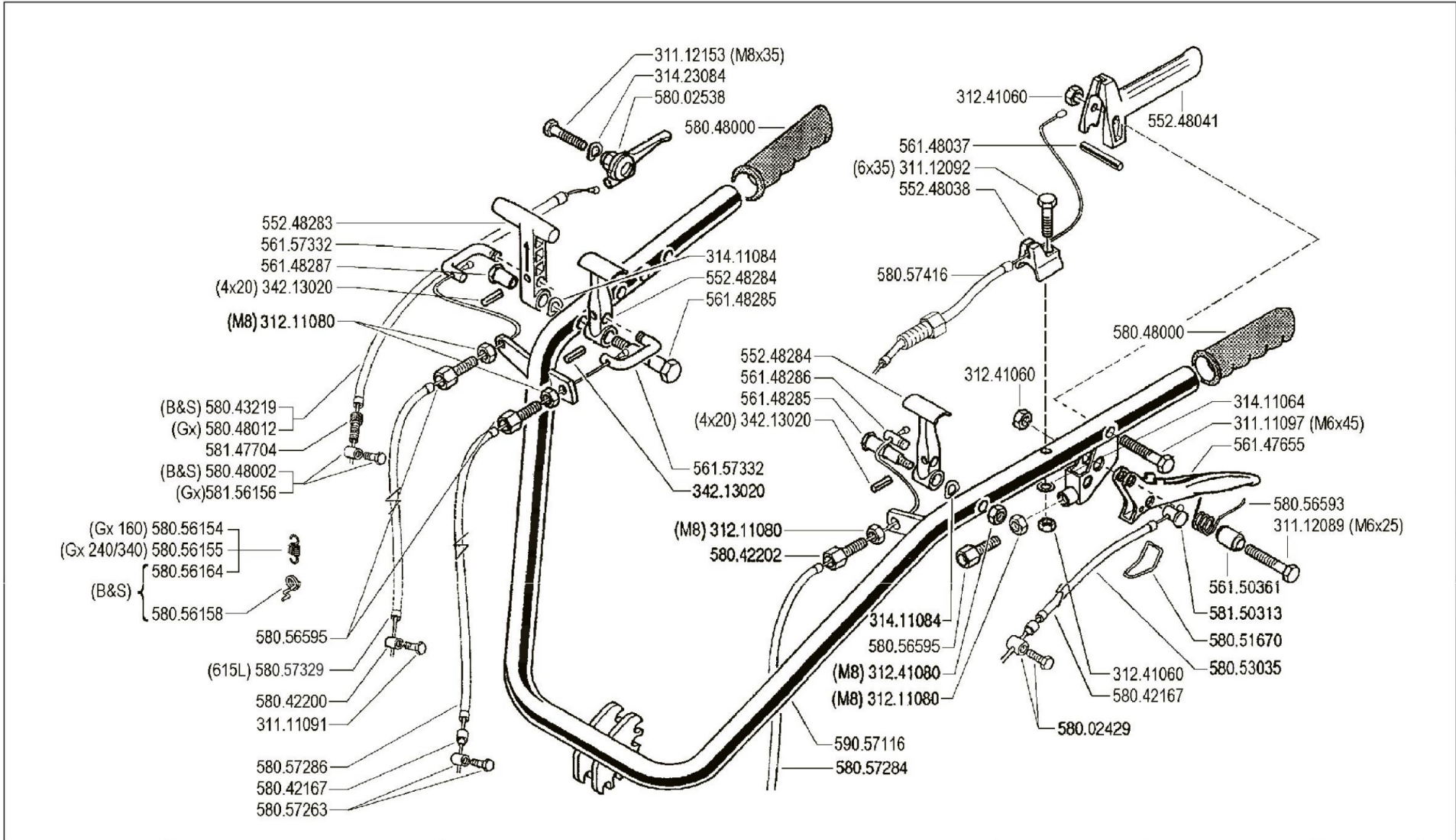


Pos.	Id	Q.ty	Description	Note
31100451	31100451	1	SCREW 3,5X25	
31111229	31111229	1	SCREW TE M10X110 UNI 5737 8G	
31112165	31112165	1	SCREW TE C/F M8X35 DIN 6921 8G	
31112170	31112170	1	SCREW TE C/F M8X20 DIN 6921	
31112217	31112217	1	SCREW TE M10X80 UNI 5737	
31112293	31112293	1	SCREW TE M12X80 UNI 5737	
31112294	31112294	1	SCREW TE M12X85 UNI 5737	
31121024	31121024	1	SCREW TBCEI FL.M4X25	
31211080	31211080	1	NUT M8	
31241080	31241080	1	HEXAGON SELFLOCK NUT M8	
31241100	31241100	1	SELFLOCK HEXAGON NUT M10	
31241120	31241120	1	SELFLOCK NUT M12	
31241126	31241126	1	SELFLOCK NUT M12	
31421130	31421130	1	WASHER	
31423084	31423084	1	SPRING WASHER 8,4	
31423105	31423105	1	SPRING WASHER 10,5	
34211028	34211028	1	ROLL PIN 3,0X18 DIN 1481	
34211041	34211041	1	ROLL PIN	
34221070	34221070	1	CYLINDRICAL PLUG 8X50 UNI 1707	
52156917	52156917	1	WEDGE	
55157212	55157212	1	GRIP	
55157213	55157213	1	GRIP	
55243340	55243340	1	SUPPORT	
55249668	55249668	1	PASSING	
55251686	55251686	1	LEVER BEARING	
55251688	55251688	1	LEVER	
56156940	56156940	1	U BOLT	
56157412	56157412	1	PIN	
56351685	56351685	1	ROD	



Pos.	Id	Q.ty	Description	Note
56356924	56356924	1	FERRULE	
58042167	58042167	1	SHEATH END	
58042219	58042219	1	SPRING	
58047712	58047712	1	SPRING	
58048009	58048009	1	ENGINE STOP SWITCH	
58056991	58056991	1	CABLE GLAND 90/200/30	
58057413	58057413	1	RETAINING SPRING	
58057417	58057417	1	WIRING MOT/STOP L=950	
58057419	58057419	1	WIRING MC L=700	
59256999	59256999	1	COLUMN	
59257409	59257409	1	SUPPORT	
31421100Z	31421100Z	1	CUP SPRING 25X12,2X1,5 D2093	
56156948N	56156948N	1	STOP	
56157411Z	56157411Z	1	FORK	
58056918Z	58056918Z	1	SPRING	
58056942N	58056942N	1	SPRING	
59056817B	59056817B	1	COLUMN	
59056952N	59056952N	1	SUPPORT	
59057010N	59057010N	1	LEVER	





	600 serie MAX	MANUBRIO (615M - 615LM - 615SM)		DALLA MACCHINA DE LA MAQUINA DE LA MACHINE FROM THE MACHINE AB DER MASCHINE	Rev. 0
		HANDLEBAR MANILLAR	MANCHERON LENKER		

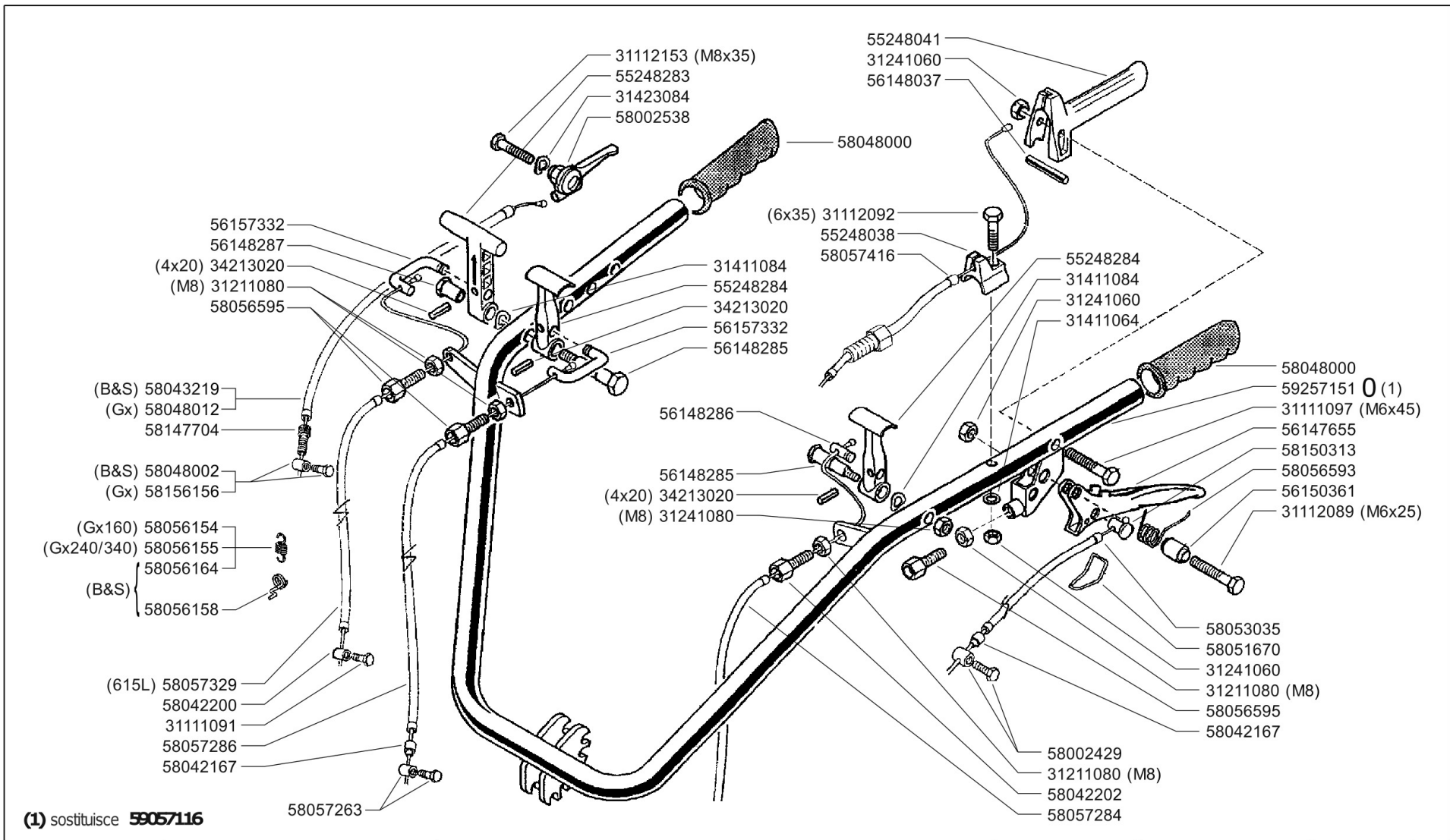


Pos.	Id	Q.ty	Description	Note
31111091	31111091	1	SCREW E M6X14 UNI 5739 8G	
31111097	31111097	1	SCREW TE M6X45 UNI 5737 8G	
31112089	31112089	1	SCREW TE M6X25 UNI 5739 8G	
31112092	31112092	1	SCREW TE M6X35 UNI 5739 8G	
31112153	31112153	1	SCREW TE M8X35 UNI 5739 8G	
31211080	31211080	1	NUT M8	
31241060	31241060	1	HEXAGON SELFLOCK NUT M6	
31241080	31241080	1	HEXAGON SELFLOCK NUT M8	
31411064	31411064	1	WASHER 6,4x12,5	
31411084	31411084	1	WASHER 8,4x17	
31423084	31423084	1	SPRING WASHER 8,4	
34213020	34213020	1	ROLL PIN	
55248038	55248038	1	STOP	
55248041	55248041	1	LEVER	
55248283	55248283	1	COMMAND LEVER	
55248284	55248284	1	LEVER	
56147655	56147655	1	CLUTCH LEVER	
56148037	56148037	1	LEVER STOP	
56148285	56148285	1	PIN	
56148286	56148286	1	DRILLED PIN	
56150361	56150361	1	SPACER	
56157332	56157332	1	U BOLT	
58002429	58002429	1	CLAMPING SCREW	
58042167	58042167	1	SHEATH END	
58042200	58042200	1	CLAMPING SCREW	
58042202	58042202	1	ADJUSTING SCREW M8	
58043219	58043219	1	LINE AND SHEATH (L=1850)	
58048000	58048000	1	KNOB D=27	
58048002	58048002	1	CLAMPING SCREW	



Pos.	Id	Q.ty	Description	Note
58048012	58048012	1	LINE AND SHEATH (L=2020)	
58051670	58051670	1	CLEVIS	
58053035	58053035	1	LINE AND SHEATH (L=1160)	
58056154	58056154	1	RESTORING SPRING	
58056155	58056155	1	RESTORING SPRING	
58056158	58056158	1	COUPLING	
58056164	58056164	1	RESTORING SPRING	
58056593	58056593	1	SPRING	
58056595	58056595	1	ADJUSTING SCREW M8	
58057284	58057284	1	LINE AND SHEATH (L=920)	
58057329	58057329	1	LINE AND SHEATH (L=980)	
58057416	58057416	1	LINE AND SHEATH M/S L=620 MF/04	
58147704	58147704	1	ADJUSTING SCREW	
58150313	58150313	1	CABLE CLAMP	
58156156	58156156	1	TERMINAL	
59057116	59057116	1	COMPLETE HANDLE BAR	





	<h1>600 serie MAX</h1>	MANUBRIO (615M-615LM-615SM)		DALLA MACCHINA DE LA MAQUINA DE LA MACHINE FROM THE MACHINE AB DER MASCHINE ON.	AGGIORNAMENTO	<div style="font-size: 2em; font-weight: bold;">I01</div> <div style="font-size: 2em; font-weight: bold;">1</div>	Rev.
		HANDLEBAR	MANCHERON		REVISION		1
		MANILLAR	LENKER		MISE A JOUR		
					APLAZAMIENTO		
					ANPASSUNG		
			07/2006	ZENE			

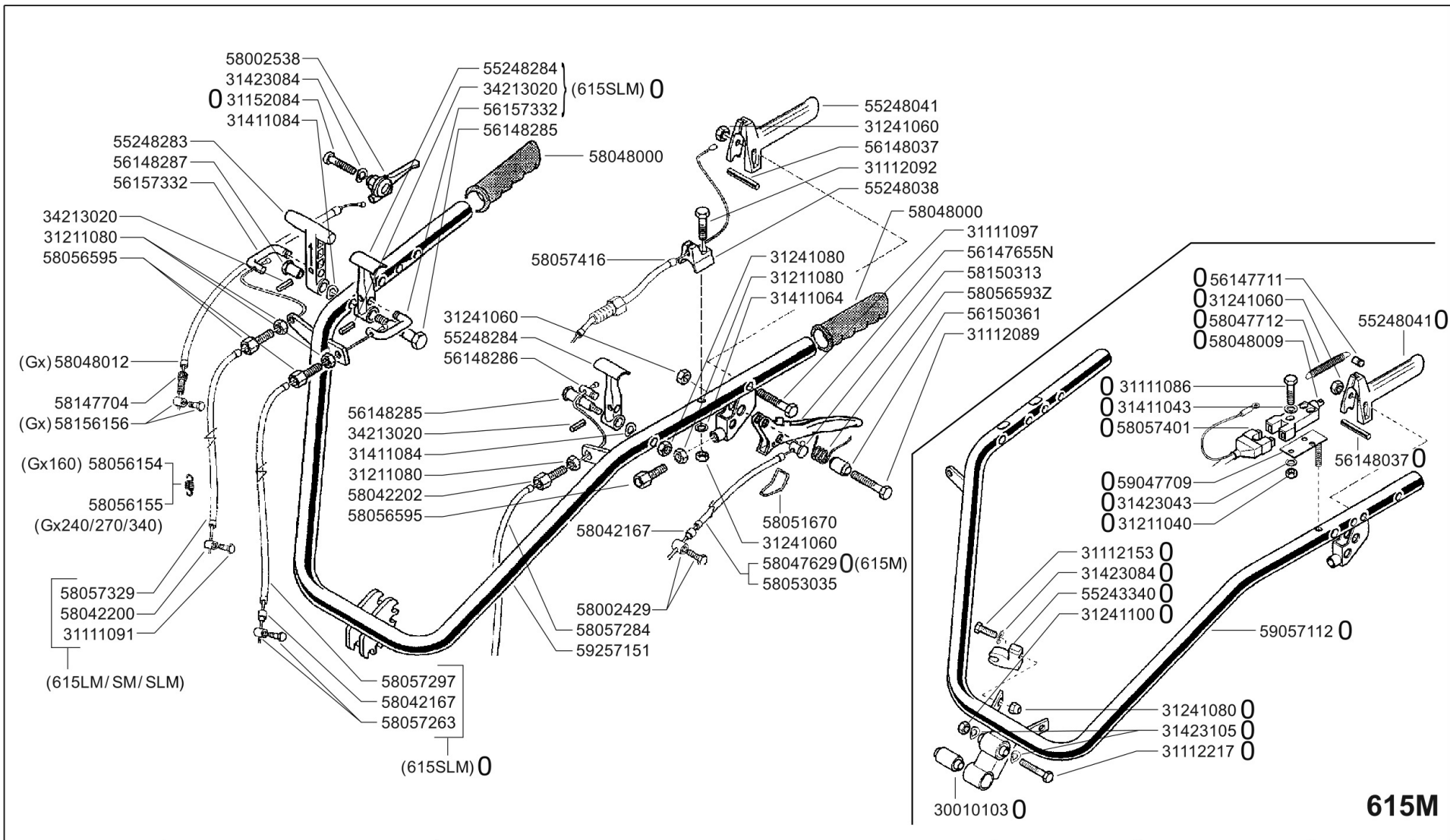


Pos.	Id	Q.ty	Description	Note
31111091	31111091	1	SCREW E M6X14 UNI 5739 8G	
31111097	31111097	1	SCREW TE M6X45 UNI 5737 8G	
31112089	31112089	1	SCREW TE M6X25 UNI 5739 8G	
31112092	31112092	1	SCREW TE M6X35 UNI 5739 8G	
31112153	31112153	1	SCREW TE M8X35 UNI 5739 8G	
31211080	31211080	1	NUT M8	
31241060	31241060	1	HEXAGON SELFLOCK NUT M6	
31241080	31241080	1	HEXAGON SELFLOCK NUT M8	
31411064	31411064	1	WASHER 6,4x12,5	
31411084	31411084	1	WASHER 8,4x17	
31423084	31423084	1	SPRING WASHER 8,4	
34213020	34213020	1	ROLL PIN	
55248038	55248038	1	STOP	
55248041	55248041	1	LEVER	
55248283	55248283	1	COMMAND LEVER	
55248284	55248284	1	LEVER	
56147655	56147655	1	CLUTCH LEVER	
56148037	56148037	1	LEVER STOP	
56148285	56148285	1	PIN	
56148286	56148286	1	DRILLED PIN	
56150361	56150361	1	SPACER	
56157332	56157332	1	U BOLT	
58002429	58002429	1	CLAMPING SCREW	
58042167	58042167	1	SHEATH END	
58042200	58042200	1	CLAMPING SCREW	
58042202	58042202	1	ADJUSTING SCREW M8	
58043219	58043219	1	LINE AND SHEATH (L=1850)	
58048000	58048000	1	KNOB D=27	
58048002	58048002	1	CLAMPING SCREW	



Pos.	Id	Q.ty	Description	Note
58048012	58048012	1	LINE AND SHEATH (L=2020)	
58051670	58051670	1	CLEVIS	
58053035	58053035	1	LINE AND SHEATH (L=1160)	
58056154	58056154	1	RESTORING SPRING	
58056155	58056155	1	RESTORING SPRING	
58056158	58056158	1	COUPLING	
58056164	58056164	1	RESTORING SPRING	
58056593	58056593	1	SPRING	
58056595	58056595	1	ADJUSTING SCREW M8	
58057263	58057263	1	CLAMPING SCREW	
58057284	58057284	1	LINE AND SHEATH (L=920)	
58057329	58057329	1	LINE AND SHEATH (L=980)	
58057416	58057416	1	LINE AND SHEATH M/S L=620 MF/04	
58147704	58147704	1	ADJUSTING SCREW	
58150313	58150313	1	CABLE CLAMP	
58156156	58156156	1	TERMINAL	
59257151	59257151	1	COMPLETE HANDLE BAR	





BCS	600 serie MAX	MANUBRID (615M-615LM-615SM-615SLM)		DALLA MACCHINA DE LA MAQUINA DE LA MACHINE FROM THE MACHINE AB DER MASCHINE	ERRATA CORRIGE	I01	Rev. 2
		HANDLEBAR MANILLAR	MANCHERON LENKER		0N.		



Pos.	Id	Q.ty	Description	Note
30010103	30010103	1	SILENT-BLOCK 10,2X30X45X60,5	
31111086	31111086	1	SCREW TE M4X25 UNI 5739 8G	
31111091	31111091	1	SCREW E M6X14 UNI 5739 8G	
31111097	31111097	1	SCREW TE M6X45 UNI 5737 8G	
31112089	31112089	1	SCREW TE M6X25 UNI 5739 8G	
31112092	31112092	1	SCREW TE M6X35 UNI 5739 8G	
31112153	31112153	1	SCREW TE M8X35 UNI 5739 8G	
31112217	31112217	1	SCREW TE M10X80 UNI 5737	
31152084	31152084	1	SCREW TCEI M8X35 UNI 5931	
31211040	31211040	1	NUT M4	
31211080	31211080	1	NUT M8	
31241060	31241060	1	HEXAGON SELFLOCK NUT M6	
31241080	31241080	1	HEXAGON SELFLOCK NUT M8	
31241100	31241100	1	SELFLOCK HEXAGON NUT M10	
31411043	31411043	1	WASHER 4,3X9	
31411064	31411064	1	WASHER 6,4x12,5	
31411084	31411084	1	WASHER 8,4x17	
31423043	31423043	1	SPRING WASHER 4,3	
31423084	31423084	1	SPRING WASHER 8,4	
31423105	31423105	1	SPRING WASHER 10,5	
34213020	34213020	1	ROLL PIN	
55243340	55243340	1	SUPPORT	
55248038	55248038	1	STOP	
55248041	55248041	1	LEVER	
55248283	55248283	1	COMMAND LEVER	
55248284	55248284	1	LEVER	
56147711	56147711	1	PIN	
56148037	56148037	1	LEVER STOP	
56148285	56148285	1	PIN	

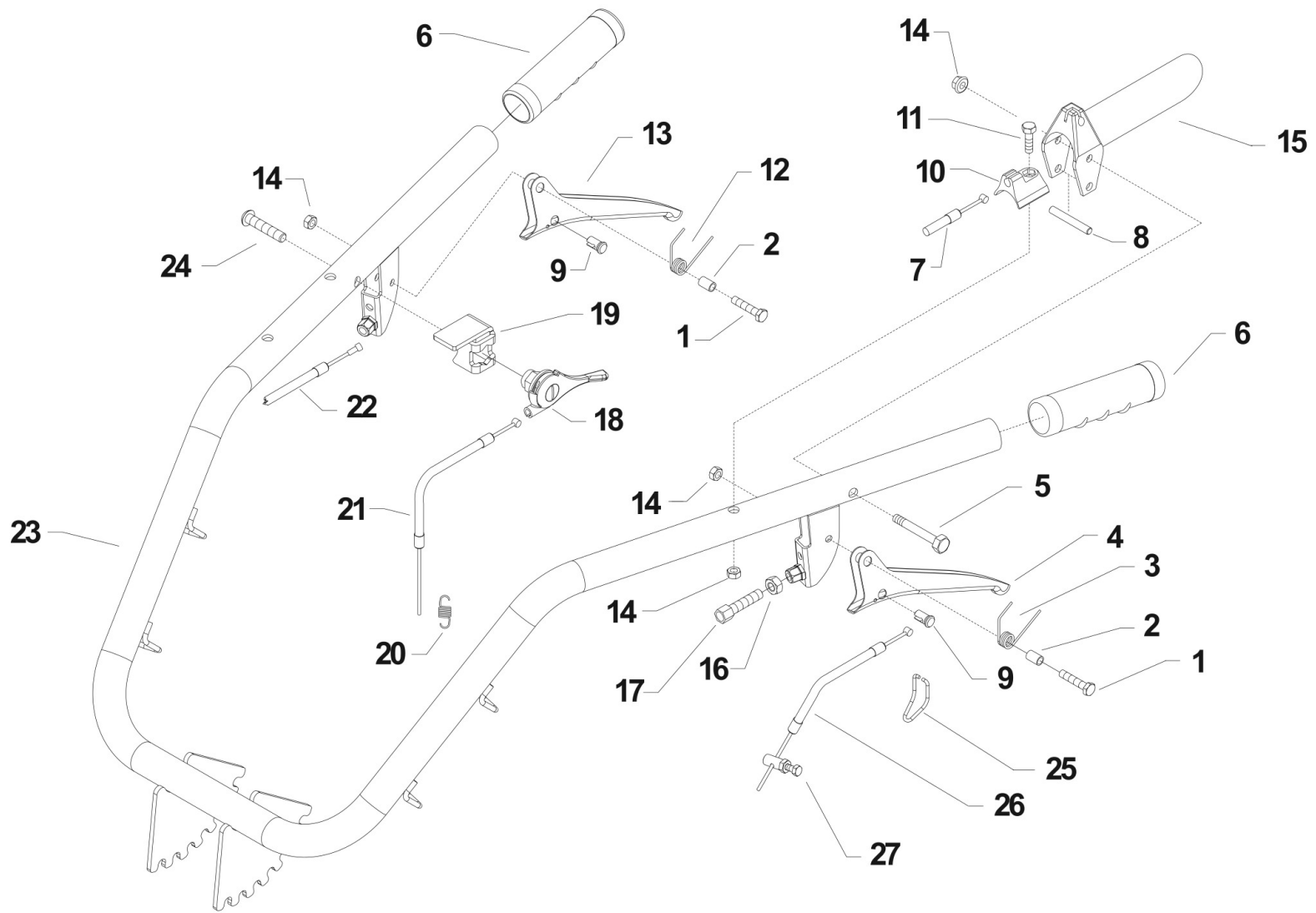


Pos.	Id	Q.ty	Description	Note
56148286	56148286	1	DRILLED PIN	
56150361	56150361	1	SPACER	
56157332	56157332	1	U BOLT	
58002429	58002429	1	CLAMPING SCREW	
58042167	58042167	1	SHEATH END	
58042200	58042200	1	CLAMPING SCREW	
58042202	58042202	1	ADJUSTING SCREW M8	
58047629	58047629	1	LINE AND SHEATH (L=1350)	
58047712	58047712	1	SPRING	
58048000	58048000	1	KNOB D=27	
58048009	58048009	1	ENGINE STOP SWITCH	
58048012	58048012	1	LINE AND SHEATH (L=2020)	
58051670	58051670	1	CLEVIS	
58053035	58053035	1	LINE AND SHEATH (L=1160)	
58056154	58056154	1	RESTORING SPRING	
58056155	58056155	1	RESTORING SPRING	
58056158	58056158	1	COUPLING	
58056164	58056164	1	RESTORING SPRING	
58056595	58056595	1	ADJUSTING SCREW M8	
58057263	58057263	1	CLAMPING SCREW	
58057284	58057284	1	LINE AND SHEATH (L=920)	
58057297	58057297	1	LINE AND SHEATH (L=1000)	
58057329	58057329	1	LINE AND SHEATH (L=980)	
58057401	58057401	1	WIRING	
58057416	58057416	1	LINE AND SHEATH M/S L=620 MF/04	
58147704	58147704	1	ADJUSTING SCREW	
58150313	58150313	1	CABLE CLAMP	
58156156	58156156	1	TERMINAL	
59047709	59047709	1	SWITCH SUPPORT	



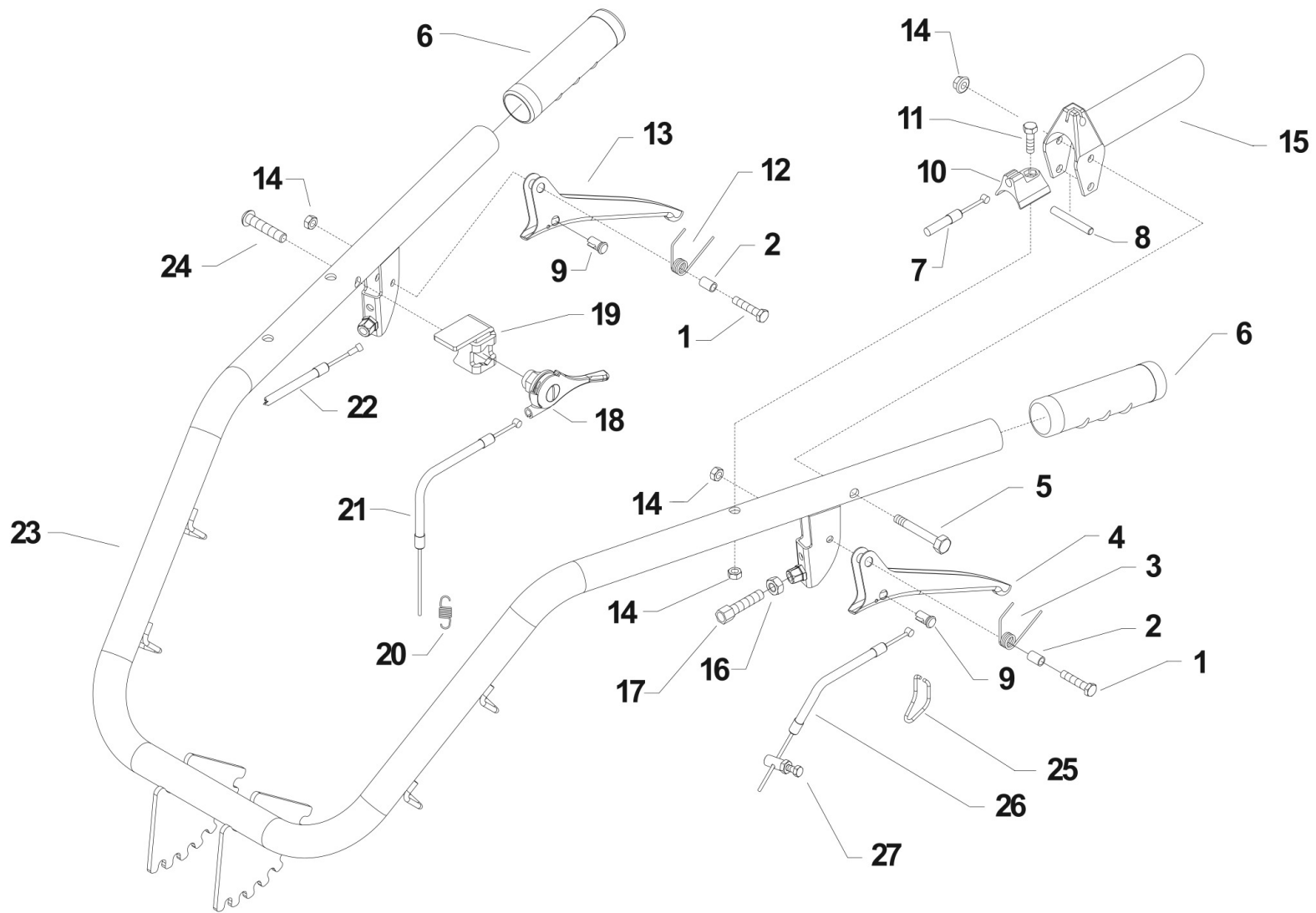
Pos.	Id	Q.ty	Description	Note
59057112	59057112	1	COMPLETE HANDLE BAR	
59257151	59257151	1	COMPLETE HANDLE BAR	
56147655N	56147655N	1	CLUTCH LEVER	
58056593Z	58056593Z	1	SPRING	





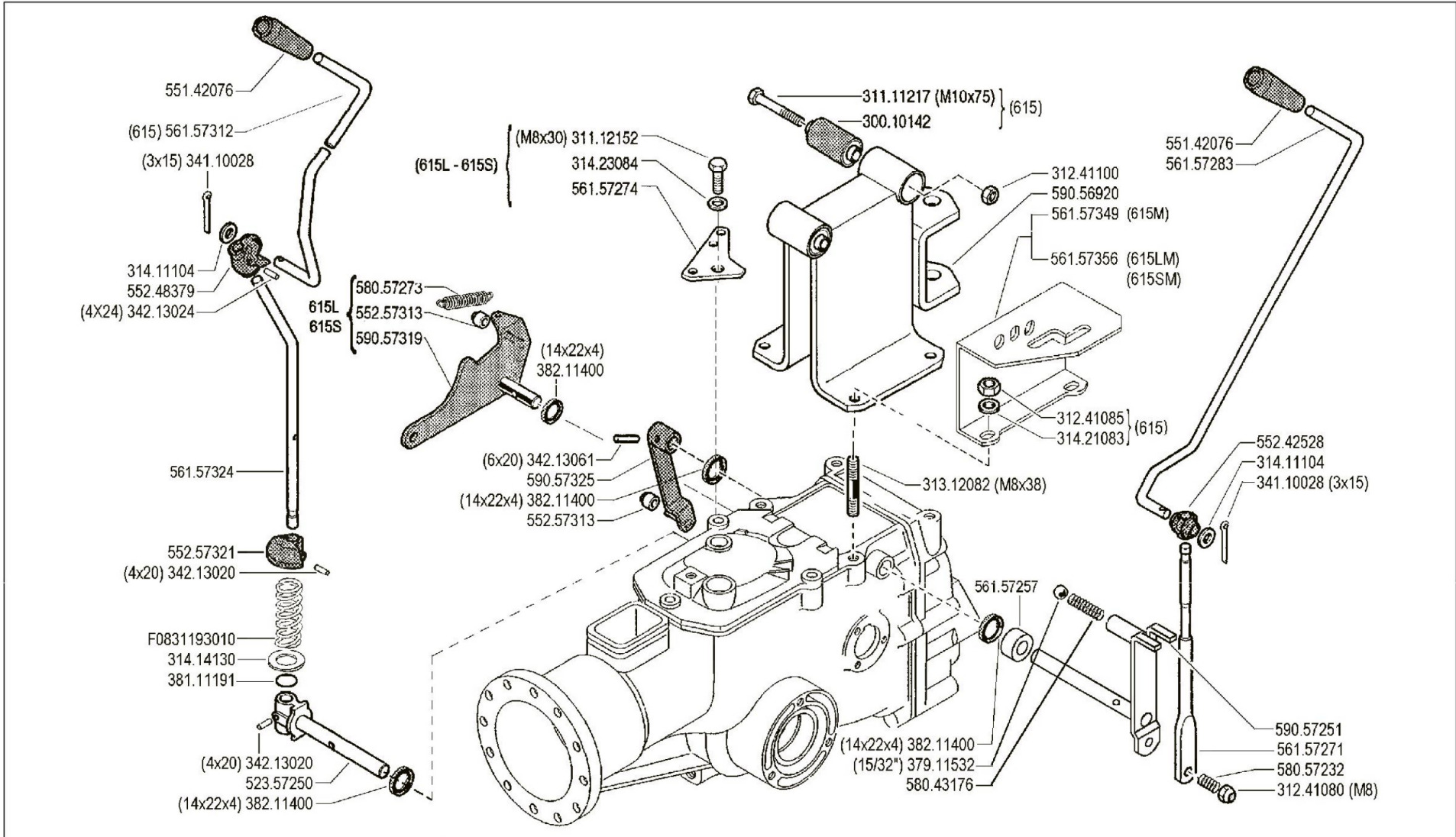
Pos.	Id	Q.ty	Description	Note
1	31112089	1	SCREW TE M6X25 UNI 5739 8G	
2	56156603Z	1	SPACER	
3	58050345	1	SPRING	
4	56147655N	1	CLUTCH LEVER	
5	31111097	1	SCREW TE M6X45 UNI 5737 8G	
6	58048000	1	KNOB D=27	
7	58048355	1	LINE AND SHEATH L-1950	
7	58057418	1	LINE AND SHEATH M/S L=750 MF/04	
8	56148037	1	LEVER STOP	
9	58150313	1	CABLE CLAMP	
10	55248038	1	STOP	
11	31112092	1	SCREW TE M6X35 UNI 5739 8G	
12	58056593	1	SPRING	
13	56148470N	1	LEVER	
14	31241060	1	HEXAGON SELFLOCK NUT M6	
15	55248041	1	LEVER	
16	31211080	1	NUT M8	
17	58056595	1	ADJUSTING SCREW M8	
18	58002538	1	ACCELERATOR	
19	56156874N	1	PANEL	
20	58056154	1	RESTORING SPRING	
20	58056155	1	RESTORING SPRING	
21	58056815	1	LINE AND SHEATH L=1950	
22	58056193	1	TRANSMISSION	
23	59257162	1	HANDLE BAR	
24	31121020	1	SCREW TBCEI M8X40 ISO7380 10K Z	
25	58051670	1	CLEVIS	
26	58053035	1	LINE AND SHEATH (L=1160)	
27	58042200	1	CLAMPING SCREW	





Pos.	Id	Q.ty	Description	Note
1	31112089	1	SCREW TE M6X25 UNI 5739 8G	
2	56156603Z	1	SPACER	
3	58050345	1	SPRING	
4	56147655N	1	CLUTCH LEVER	
5	31111097	1	SCREW TE M6X45 UNI 5737 8G	
6	58048000	1	KNOB D=27	
7	58048355	1	LINE AND SHEATH L-1950	DIESEL
7	58057418	1	LINE AND SHEATH M/S L=750 MF/04	
8	56148037	1	LEVER STOP	
9	58150313	1	CABLE CLAMP	
10	55248038	1	STOP	
11	31112092	1	SCREW TE M6X35 UNI 5739 8G	
12	58056593	1	SPRING	
13	56148470N	1	LEVER	
14	31241060	1	HEXAGON SELFLOCK NUT M6	
15	55248041	1	LEVER	
16	31211080	1	NUT M8	
17	58056595	1	ADJUSTING SCREW M8	
18	58002538	1	ACCELERATOR	
19	56156874N	1	PANEL	
20	58056154	1	RESTORING SPRING	GX200
20	58056155	1	RESTORING SPRING	GX270
21	58056815	1	LINE AND SHEATH L=1950	GX200/GX270
22	58056193	1	TRANSMISSION	
23	59257162	1	HANDLE BAR	
24	31121020	1	SCREW TBCEI M8X40 ISO7380 10K Z	
25	58051670	1	CLEVIS	
26	58057285	1	LINE AND SHEATH (L=1130)	
27	58042200	1	CLAMPING SCREW	





BCS	600 serie MAX	COMANDI (615M - 615LM - 615SM)		DALLA MACCHINA DE LA MAQUINA FROM THE MACHINE AB DER MASCHINE	N.	J01	Rev.
		CONTROLS MANDOS	COMMANDES ANTRIEBE				0
						09/2004	ZENNE

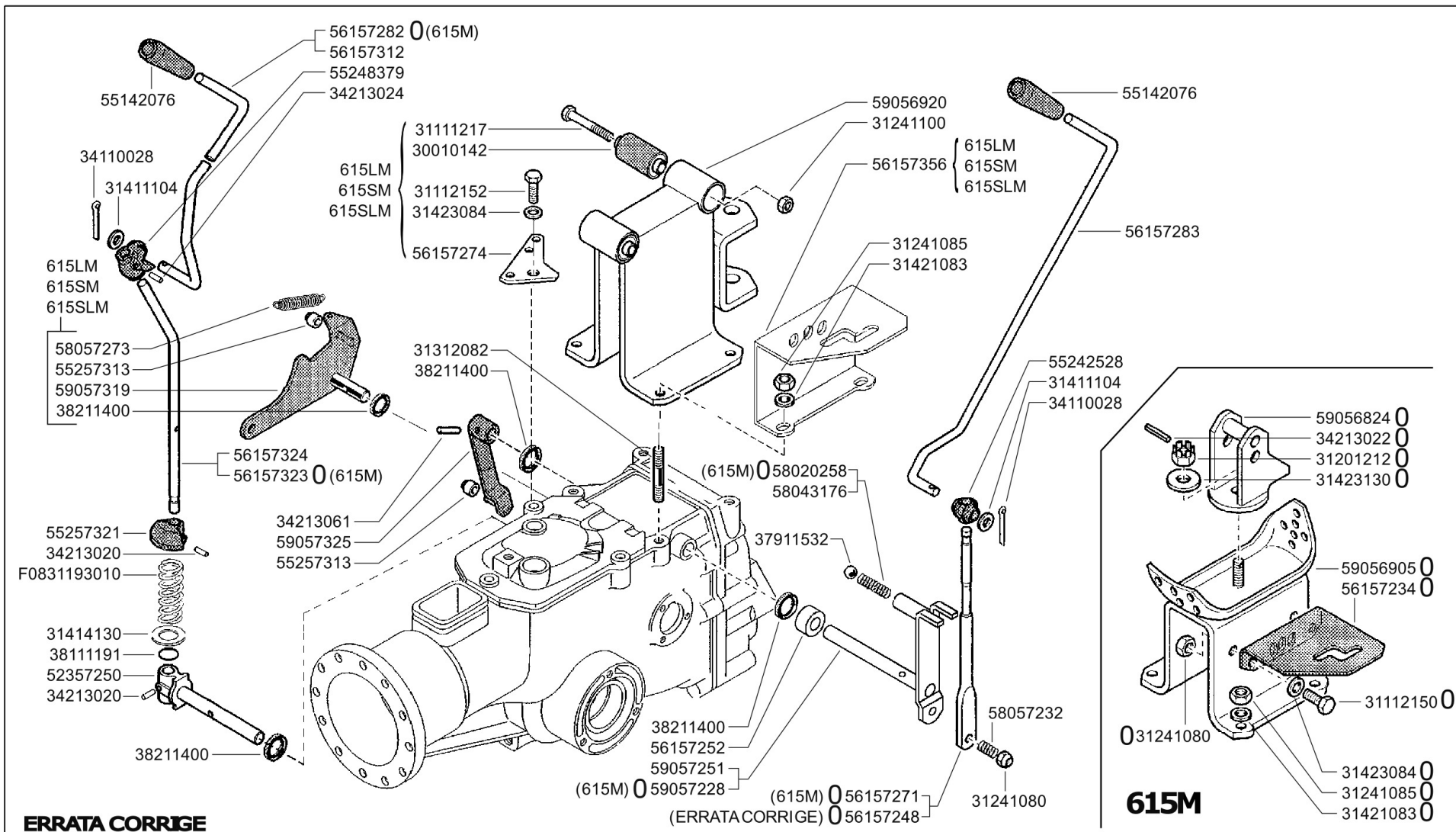


Pos.	Id	Q.ty	Description	Note
30010142	30010142	1	SILENT-BLOCK 10,2X30X45X49	
31111217	31111217	1	SCREW TE M10X75 UNI 5737 8G	
31112152	31112152	1	SCREW TE M8X30 UNI 5739 8G	
31241080	31241080	1	HEXAGON SELFLOCK NUT M8	
31241085	31241085	1	SELFLOCK NUT M8 6S	
31241100	31241100	1	SELFLOCK HEXAGON NUT M10	
31312082	31312082	1	STUD BOLT M8X38X14X20	
31411104	31411104	1	WASHER 10,5x18	
31414130	31414130	1	WASHER 13	
31421083	31421083	1	WASHER	
31423084	31423084	1	SPRING WASHER 8,4	
34110028	34110028	1	SPLIT PIN A3X15 UNI 1336	
34213020	34213020	1	ROLL PIN	
34213024	34213024	1	ROLL PIN	
34213061	34213061	1	ROLL PIN	
37911532	37911532	1	BALL 15/32	
38111191	38111191	1	O-RING 115 (11,91X2,62)	
38111400	38111400	1	O-RING (14,00X1,78)	
38211400	38211400	1	OIL SEAL 14X22X4	
52357250	52357250	1	PIN	
55142076	55142076	1	KNOB	
55242528	55242528	1	JOINT	
55248379	55248379	1	PTO JOINT	
55257313	55257313	1	ROLLER	
55257321	55257321	1	STOP	
56157257	56157257	1	SPACER	
56157271	56157271	1	COMMAND LEVER	
56157274	56157274	1	SQUARE	
56157283	56157283	1	GEARSHIFT ROD 710 AE	



Pos.	Id	Q.ty	Description	Note
56157312	56157312	1	ROD	
56157324	56157324	1	PTO LEVER	
56157349	56157349	1	SELECTOR	
56157356	56157356	1	GEAR SELECTOR	
58043176	58043176	1	SPRING	
58057232	58057232	1	SPRING	
58057273	58057273	1	SPRING	
59056920	59056920	1	SUPPORT	
59057251	59057251	1	GEAR LEVER	
59057319	59057319	1	LEVER	
59057325	59057325	1	LEVER	
F0831193010	F0831193010	1	SPRING DM.15X70	





ERRATA CORRIGE

	600 serie MAX	COMANDI (615M-615LM-615SM-615SLM 0)		DALLA MACCHINA DE LA MAQUINA DE LA MACHINE FROM THE MACHINE AB DER MASCHINE	ON.	825532 (615M)	Rev.
		CONTROLS MANDOS	COMMANDES ANTRIEBE				J01
						01/2009	ZENE

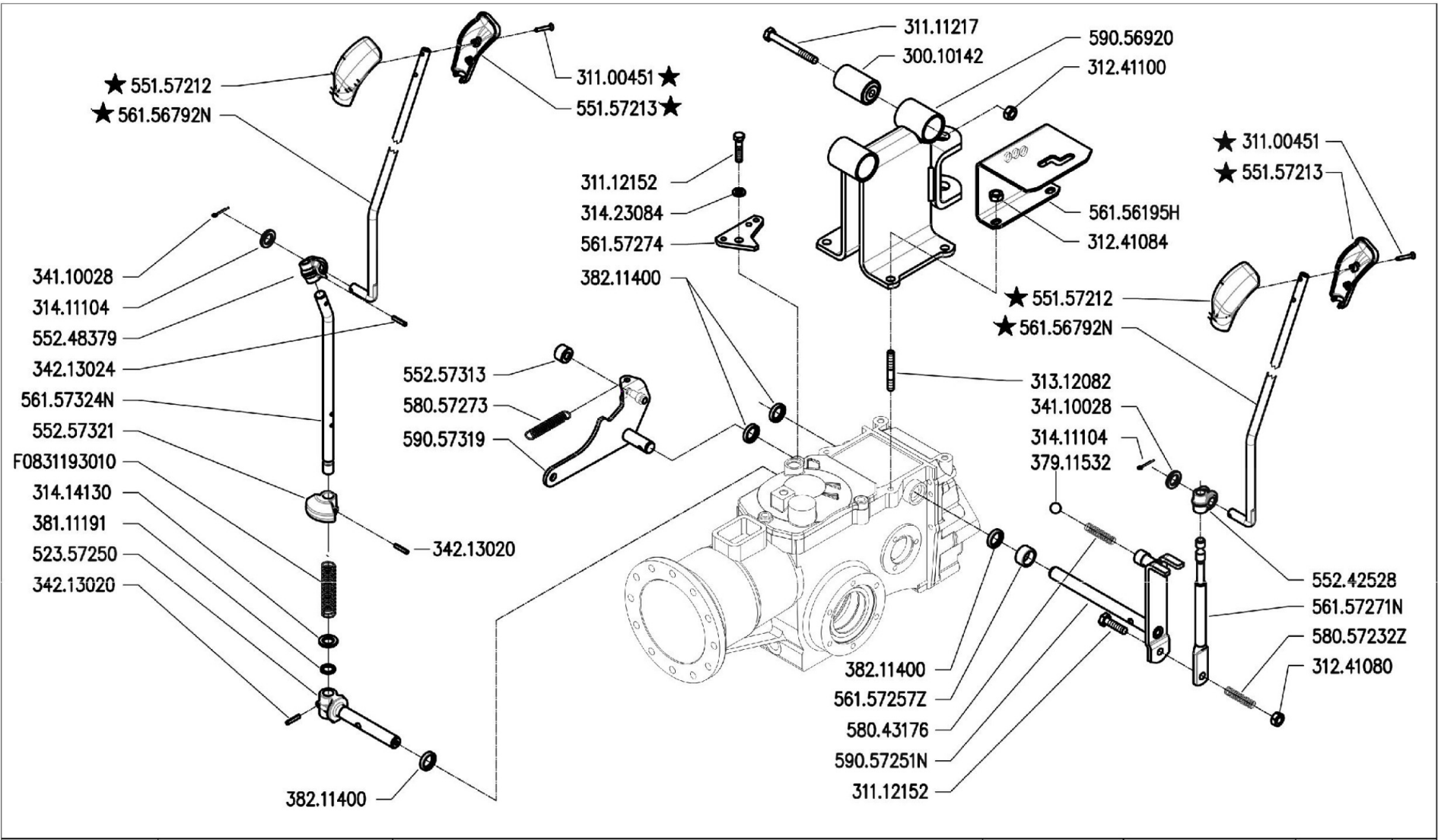


Pos.	Id	Q.ty	Description	Note
30010142	30010142	1	SILENT-BLOCK 10,2X30X45X49	
31111217	31111217	1	SCREW TE M10X75 UNI 5737 8G	
31112150	31112150	1	SCREW TE M8X20 UNI 5739 8G	
31112152	31112152	1	SCREW TE M8X30 UNI 5739 8G	
31201212	31201212	1	NUT M12 UNI 5593 6S	
31241080	31241080	1	HEXAGON SELFLOCK NUT M8	
31241085	31241085	1	SELFLOCK NUT M8 6S	
31241100	31241100	1	SELFLOCK HEXAGON NUT M10	
31312082	31312082	1	STUD BOLT M8X38X14X20	
31411104	31411104	1	WASHER 10,5x18	
31414130	31414130	1	WASHER 13	
31421083	31421083	1	WASHER	
31423084	31423084	1	SPRING WASHER 8,4	
31423130	31423130	1	SPRING WASHER EL 13 DIN 137-B	
34110028	34110028	1	SPLIT PIN A3X15 UNI 1336	
34213020	34213020	1	ROLL PIN	
34213022	34213022	1	ROLL PIN	
34213024	34213024	1	ROLL PIN	
34213061	34213061	1	ROLL PIN	
37911532	37911532	1	BALL 15/32	
38111191	38111191	1	O-RING 115 (11,91X2,62)	
38111400	38111400	1	O-RING (14,00X1,78)	
38211400	38211400	1	OIL SEAL 14X22X4	
52357250	52357250	1	PIN	
55142076	55142076	1	KNOB	
55242528	55242528	1	JOINT	
55248379	55248379	1	PTO JOINT	
55257313	55257313	1	ROLLER	
55257321	55257321	1	STOP	



Pos.	Id	Q.ty	Description	Note
56157234	56157234	1	GEAR SELECTOR	
56157248	56157248	1	COMMAND LEVER	
56157257	56157257	1	SPACER	
56157271	56157271	1	COMMAND LEVER	
56157274	56157274	1	SQUARE	
56157282	56157282	1	ROD	
56157283	56157283	1	GEARSHIFT ROD 710 AE	
56157312	56157312	1	ROD	
56157323	56157323	1	PTO LEVER	
56157324	56157324	1	PTO LEVER	
56157356	56157356	1	GEAR SELECTOR	
58020258	58020258	1	GEAR RATIO TWITCH SPRING	
58043176	58043176	1	SPRING	
58057232	58057232	1	SPRING	
58057273	58057273	1	SPRING	
59056824	59056824	1	SUPPORT	
59056905	59056905	1	SUMP	
59056920	59056920	1	SUPPORT	
59057228	59057228	1	GEAR LEVER	
59057251	59057251	1	GEAR LEVER	
59057319	59057319	1	LEVER	
59057325	59057325	1	LEVER	
F0831193010	F0831193010	1	SPRING DM.15X70	





	600 serie MAX	CONTROLS MANDOS	COMANDI (615LM - 615SM - 615SLM)		DALLA MACCHINA DE LA MAQUINA FROM THE MACHINE AB DER MASCHINE	<table border="1"> <tr> <td>Rev.</td> <td>J01</td> <td>2</td> </tr> <tr> <td>★ N.</td> <td>863996</td> <td>10/2010</td> </tr> </table>	Rev.	J01	2	★ N.	863996	10/2010
			Rev.	J01			2					
★ N.	863996	10/2010										
			COMMANDES ANTRIEBE		DITE BCS - Scala 1:6							

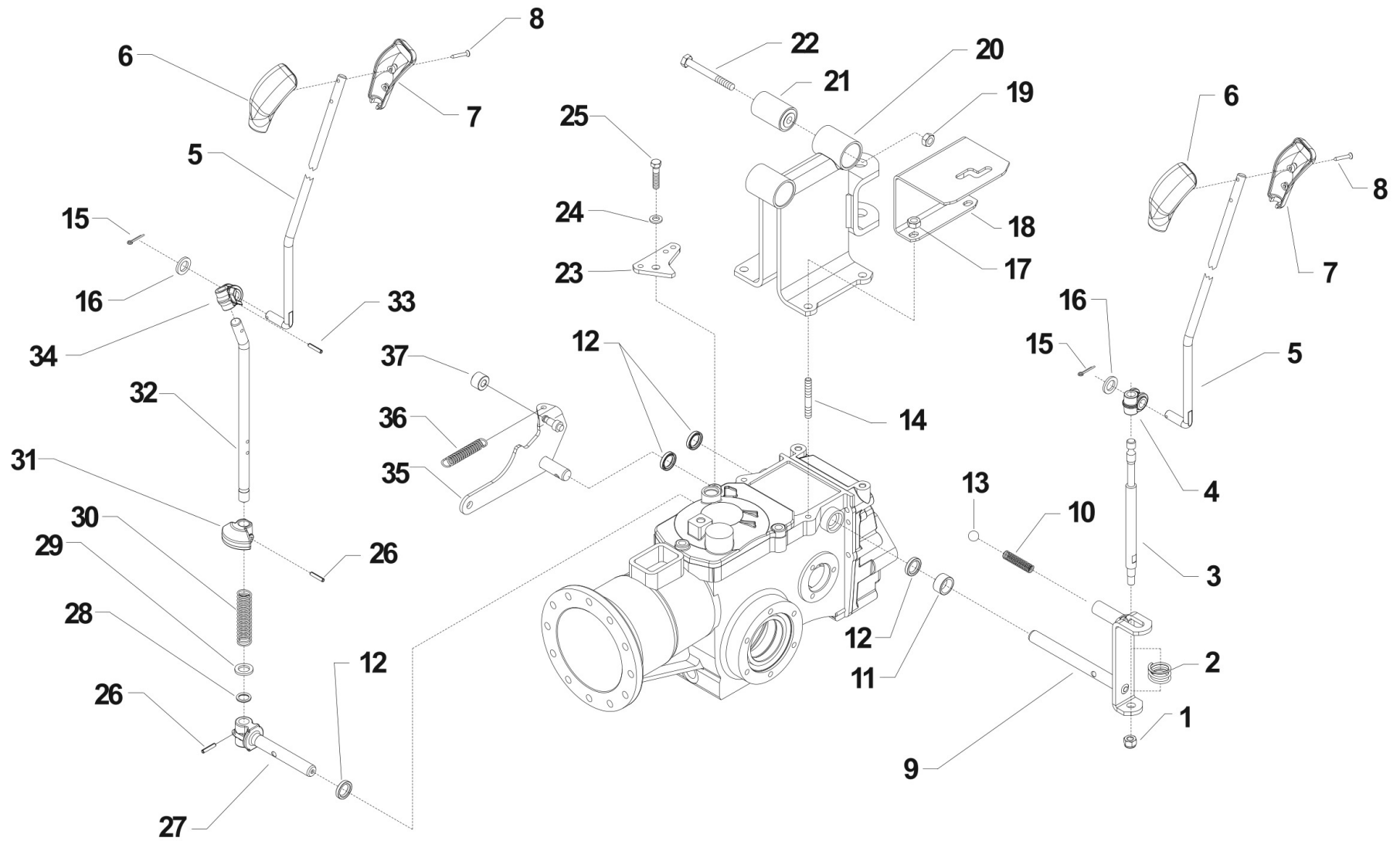


Pos.	Id	Q.ty	Description	Note
30010142	30010142	1	SILENT-BLOCK 10,2X30X45X49	
31100451	31100451	1	SCREW 3,5X25	
31111217	31111217	1	SCREW TE M10X75 UNI 5737 8G	
31112152	31112152	1	SCREW TE M8X30 UNI 5739 8G	
31241080	31241080	1	HEXAGON SELFLOCK NUT M8	
31241084	31241084	1	SELFLOCK NUT M8 6S	
31241100	31241100	1	SELFLOCK HEXAGON NUT M10	
31312082	31312082	1	STUD BOLT M8X38X14X20	
31411104	31411104	1	WASHER 10,5x18	
31414130	31414130	1	WASHER 13	
31423084	31423084	1	SPRING WASHER 8,4	
34110028	34110028	1	SPLIT PIN A3X15 UNI 1336	
34213020	34213020	1	ROLL PIN	
34213024	34213024	1	ROLL PIN	
37911532	37911532	1	BALL 15/32	
38111191	38111191	1	O-RING 115 (11,91X2,62)	
38111400	38111400	1	O-RING (14,00X1,78)	
38211400	38211400	1	OIL SEAL 14X22X4	
52357250	52357250	1	PIN	
55157212	55157212	1	GRIP	
55157213	55157213	1	GRIP	
55242528	55242528	1	JOINT	
55248379	55248379	1	PTO JOINT	
55257313	55257313	1	ROLLER	
55257321	55257321	1	STOP	
56157274	56157274	1	SQUARE	
58043176	58043176	1	SPRING	
58057273	58057273	1	SPRING	
59056920	59056920	1	SUPPORT	



Pos.	Id	Q.ty	Description	Note
59057319	59057319	1	LEVER	
56156195H	56156195H	1	GEAR SELECTOR	
56156792N	56156792N	1	PULL ROD 2+2 ED	
56157257Z	56157257Z	1	SPACER	
56157271N	56157271N	1	COMMAND LEVER	
56157324N	56157324N	1	PTO LEVER	
58057232Z	58057232Z	1	SPRING	
59057251N	59057251N	1	GEAR LEVER	
F0831193010	F0831193010	1	SPRING DM.15X70	



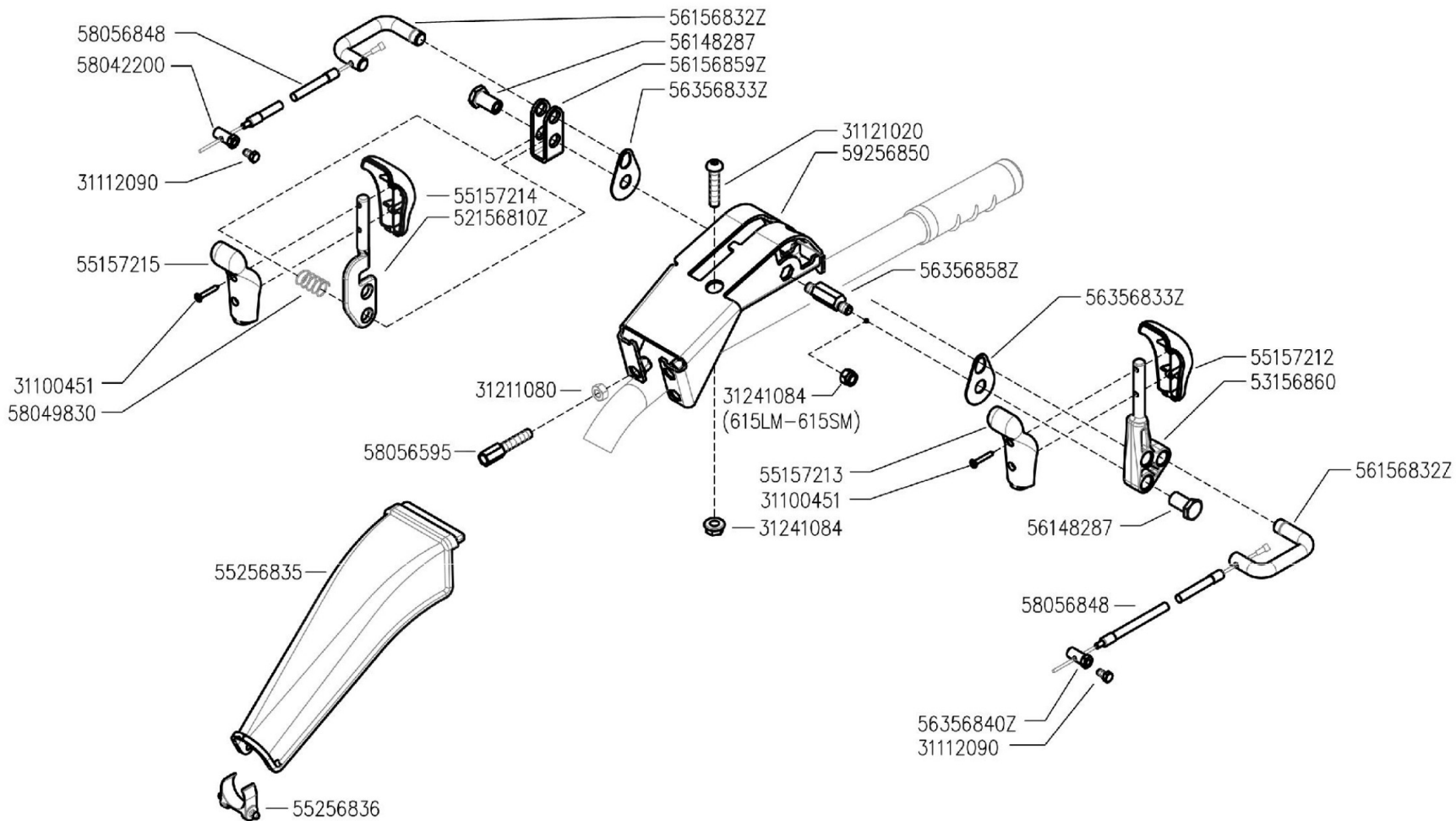


Pos.	Id	Q.ty	Description	Note
1	31241080		HEXAGON SELFLOCK NUT M8	
2	58057232Z		SPRING	
3	563C1005Z		COMMAND LEVER	Replaces 56157271N + 59057251N
4	55242528		JOINT	
5	56156792Z		PULL ROD 2+2 ED	
6	55157212		GRIP	
7	55157213		GRIP	
8	31100451		SCREW 3,5X25	
9	59056735N		GEAR LEVER	Replaces 56157271N + 59057251N
10	58043176		SPRING	
11	56157257Z		SPACER	
12	38211400		OIL SEAL 14X22X4	
13	37911532		BALL 15/32	
14	31312082		STUD BOLT M8X38X14X20	
15	34110028		SPLIT PIN A3X15 UNI 1336	
16	31411104		WASHER 10,5x18	
17	31241084		SELFLOCK NUT M8 6S	
18	56156195H		GEAR SELECTOR	
19	31241100		SELFLOCK HEXAGON NUT M10	
20	59056920		SUPPORT	
21	30010142		SILENT-BLOCK 10,2X30X45X49	
22	31111217		SCREW TE M10X75 UNI 5737 8G	
23	56157274		SQUARE	
24	31423084		SPRING WASHER 8,4	
25	31112152		SCREW TE M8X30 UNI 5739 8G	
26	34213020		ROLL PIN	
27	52357250		PIN	
28	38111191		O-RING 115 (11,91X2,62)	
29	31414130		WASHER 13	



Pos.	Id	Q.ty	Description	Note
30	F0831193010		SPRING DM.15X70	
31	55257321		STOP	
32	56157324N		PTO LEVER	
33	34213024		ROLL PIN	
34	55248379		PTO JOINT	
35	59057319		LEVER	
36	58057273		SPRING	
37	55257313		ROLLER	





600 serie MAX

HANDLEBAR CONTROLS
CONTROLES EN EL MANILLAR

COMANDI SUL MANUBRIO★
(615LM-615SM-615SLM)

CONTROLES SUR LE MANCHERON
KONTROLLEN AM LINCHER

DALLA MACCHINA
DE LA MAQUINA
FROM THE MACHINE
AB DER MASCHINE

★N.

863996

J04

Rev. 0

10/2010

DITE BCS - Scala 1:5

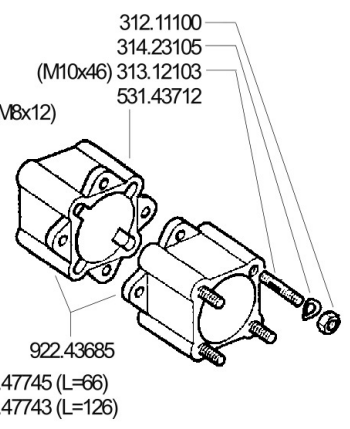
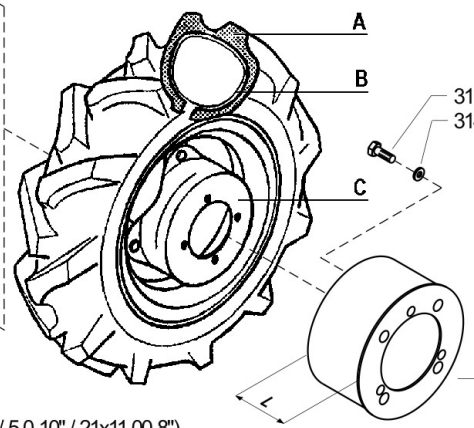
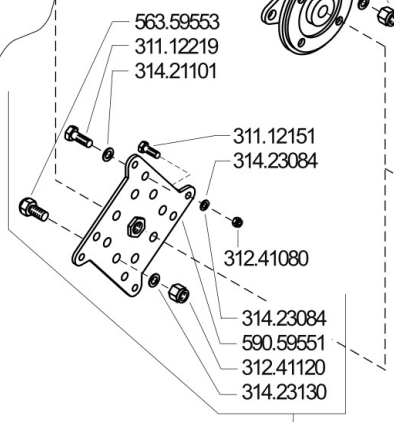
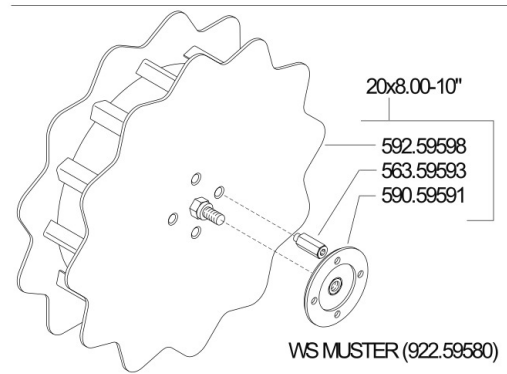
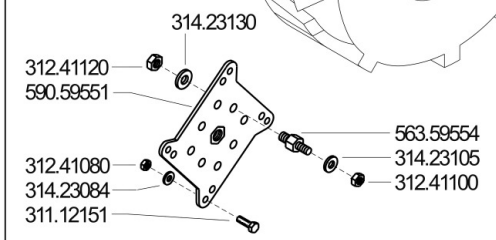
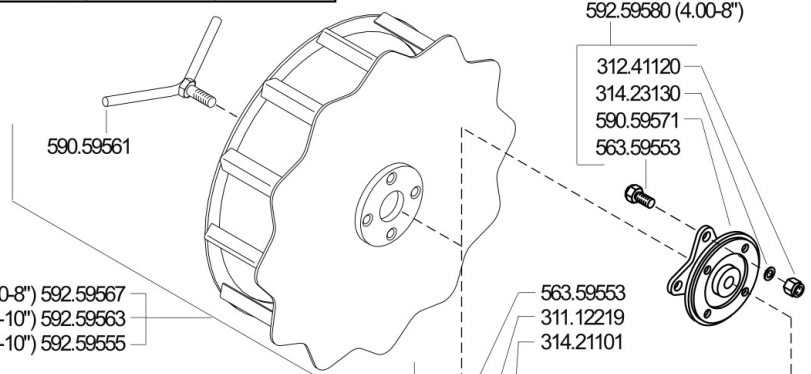
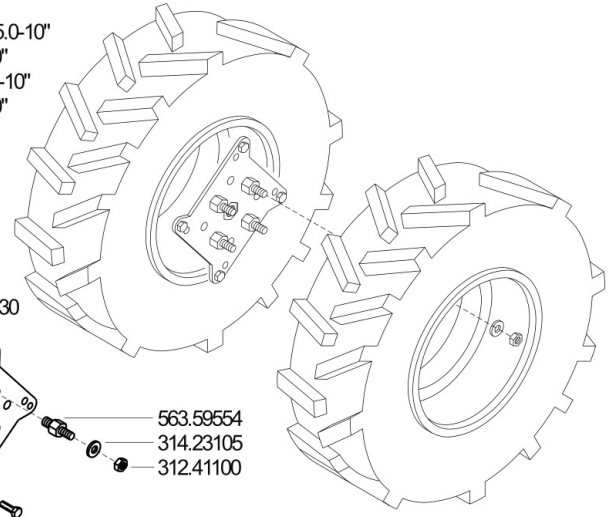


Pos.	Id	Q.ty	Description	Note
31100451	31100451	1	SCREW 3,5X25	
31112090	31112090	1	SCREW TE M6X16 UNI 5739 8G	
31121020	31121020	1	SCREW TBCEI M8X40 ISO7380 10K Z	
31211080	31211080	1	NUT M8	
31241084	31241084	1	SELFLOCK NUT M8 6S	
53156860	53156860	1	COMMAND LEVER	
55157212	55157212	1	GRIP	
55157213	55157213	1	GRIP	
55157214	55157214	1	GRIP	
55157215	55157215	1	GRIP	
55256835	55256835	1	PROTECTION COVER	
55256836	55256836	1	SUPPORT, ELECTRICAL BOX	
56148287	56148287	1	STUD BOLT	
58042200	58042200	1	CLAMPING SCREW	
58049830	58049830	1	SPRING	
58056595	58056595	1	ADJUSTING SCREW M8	
58056848	58056848	1	LINE AND SHEATH L=930	
59256850	59256850	1	SUPPORT	
52156810Z	52156810Z	1	COMMAND LEVER	
56156832Z	56156832Z	1	U BOLT	
56156859Z	56156859Z	1	FORK	
56356833Z	56356833Z	1	SMALL PLATE	
56356840Z	56356840Z	1	CLAMPING SCREW	
56356858Z	56356858Z	1	PIN	



	A	B	C
3.50 - 8" (600)	391.13502	394.13502	580.43370
3.50 - 8"	391.13502	394.13502	580.43250
4.00 - 8"	391.14008	394.14008	580.43250
4.0 - 10"	391.14010	394.14010	580.48330
5.0 - 10"	391.15010	394.15010	580.48330
6.5 / 80 - 12"	391.16018	394.16018	580.44804
21 x 11.00 - 8"	391.13501	TUBELESS	580.57795
20 x 8.00 - 10"	391.18021 (TR)	394.16025	580.57799
20 x 8.00 - 10"	391.18020 (GA)	394.15010	580.57799

922.57794
 KIT GEMELLAGGIO PER 4.0-10" / 5.0-10"
 TWINNING KIT FOR 4.0-10" / 5.0-10"
 JUMELAGE KIT POUR 4.0-10" / 5.0-10"
 KIT GEMELOS POR 4.0-10" / 5.0-10"
 ZWILLINGSKIT 4.0-10" / 5.0-10"



	600 serie MAX	RUOTE WHEELS RUEDAS	DALLA MACCHINA DE LA MAQUINA DE LA MACHINE FROM THE MACHINE AB DER MASCHINE	_____	L01	Rev. 0
				N.		



Pos.	Id	Q.ty	Description	Note
31112149	31112149	1	SCREW TE M8X12 UNI 5739 8G	
31112151	31112151	1	SCREW TE M8X25 UNI 5739 8G	
31112219	31112219	1	SCREW TE M10X25 UNI 5739	
31211100	31211100	1	NUT M10	
31241080	31241080	1	HEXAGON SELFLOCK NUT M8	
31241100	31241100	1	SELFLOCK HEXAGON NUT M10	
31241120	31241120	1	SELFLOCK NUT M12	
31312103	31312103	1	STUD BOLT M10X46X24X16	
31421101	31421101	1	WASHER 10 DIN 679	
31423084	31423084	1	SPRING WASHER 8,4	
31423105	31423105	1	SPRING WASHER 10,5	
31423130	31423130	1	SPRING WASHER EL 13 DIN 137-B	
39113501	39113501	1	TYRE 21X11.00-8	
39113502	39113502	1	TYRE 3.50-8 2PR	
39114008	39114008	1	TYRE 4.00-8 2PR	
39114010	39114010	1	TYRE 4.0-10 2PR	
39115010	39115010	1	TYRE 5.00-10 2PR	
39116018	39116018	1	TYRE 6.5/80-12 2PR	
39118020	39118020	1	TYRE 20X8.00-10 4PR	
39118021	39118021	1	COVER 20x8.00-10 FLAT-TR	
39413502	39413502	1	INNER TUBE X 3.50-8	
39414008	39414008	1	INNER TUBE X 4.00-8	
39414010	39414010	1	INNER TUBE x 4.0-10	
39415010	39415010	1	INNER TUBE X 4.0/5.0-10	
39416018	39416018	1	INNER TUBE X 6-5/80-12	
39416025	39416025	1	INNER TUBE X 20X8.00-10 TR	
53143712	53143712	1	SPACER	
56359553	56359553	1	PIN	
56359554	56359554	1	PIN	

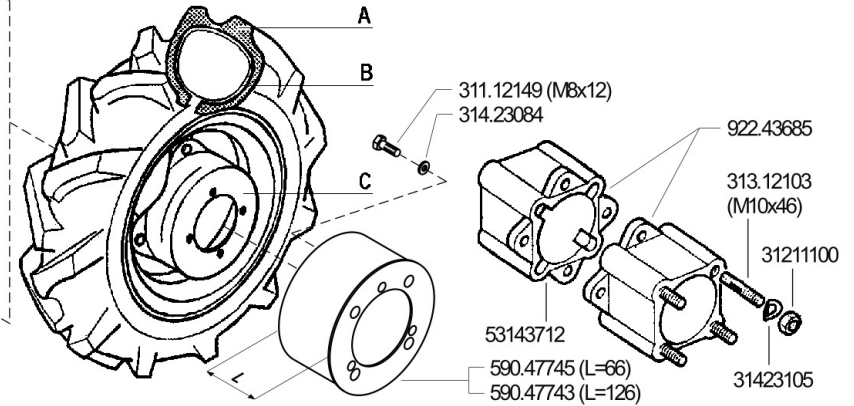
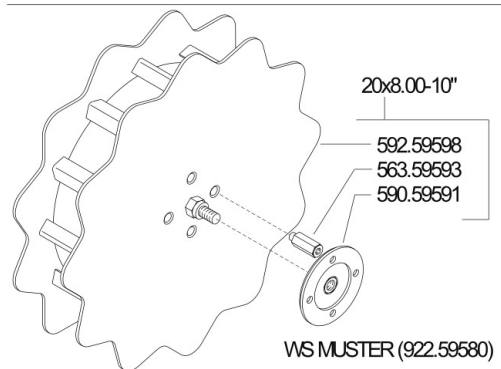
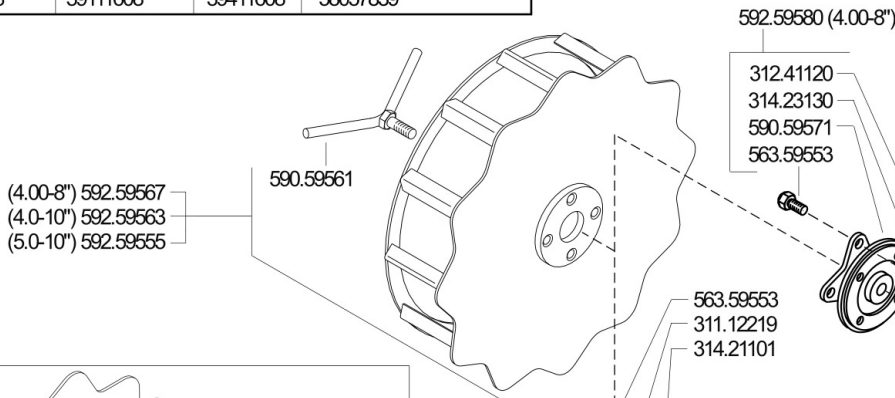
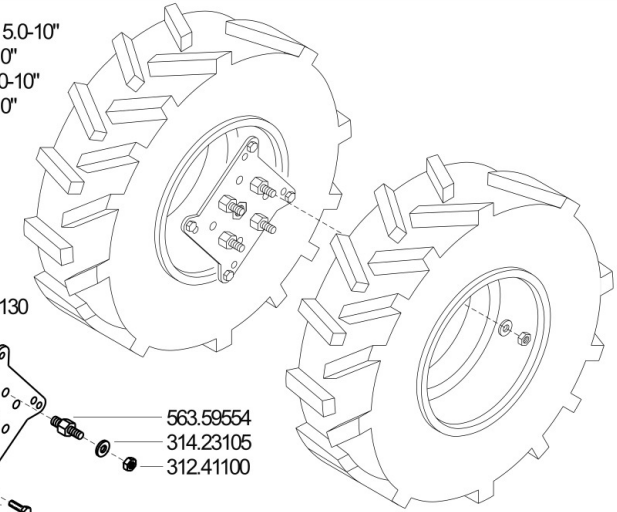


Pos.	Id	Q.ty	Description	Note
56359593	56359593	1	DRIVING PIN	
58043250	58043250	1	RIM 2.50-8	
58043370	58043370	1	RIM 2.50-8	
58044804	58044804	1	RIM 5JA12	
58048330	58048330	1	RIM 3.50D10 CR	
58057795	58057795	1	RIM 8.50-8	
58057799	58057799	1	RIM 6.00I-10	
59047743	59047743	1	HUBCOVER	
59047745	59047745	1	HUBCOVER	
59059551	59059551	1	FLANGE	
59059561	59059561	1	SCREW	
59059571	59059571	1	FLANGE	
59059591	59059591	1	SPACER	
59259555	59259555	1	SUPER-BITE WHEEL X 5.00-10	
59259563	59259563	1	WHEEL	
59259567	59259567	1	WHEEL	
59259578	59259578	1	FLANGE KIT	
59259580	59259580	1	FLANGE KIT	
59259598	59259598	1	WHEEL	
92243685	92243685	1	WHEEL SPACERS CM 6 (PAIR)	
92257794	92257794	1	ADAPTER PLATES FOR WHEELS (PAIR)	
92259580	92259580	1	RUOTE SUPER-BITE 20X8.0-10 (COPPIA)	



	A	B	C
3.50 - 8" (600)	39113502	39413502	58043370
3.50 - 8"	39113502	39413502	58043250
4.00 - 8"	39114008	39414008	58043250
4.0 - 10"	39114010	39414010	58048330
5.0 - 10"	39115010	39415010	58048330
6.5 / 80 - 12"	39116018	39416018	58044804
21 x 11.00 - 8"	39113501	TUBELESS	58057795
20 x 8.00 - 10"	39118021 (TR)	39416025	58057799
20 x 8.00 - 10"	39118020 (GA)	39415010	58057797 (WS MUSTER)
16x6.50-8"	39111608	39411608	58057839

922.57794
 KIT GIVELLAGGIO PER 4.0-10" / 5.0-10"
 TWINNING KIT FOR 4.0-10" / 5.0-10"
 JUMELAGE KIT POUR 4.0-10" / 5.0-10"
 KIT GIVELLOS POR 4.0-10" / 5.0-10"
 ZWILLINGSKIT 4.0-10" / 5.0-10"



600 serie MAX

WHEELS
RUEDAS

RUOTE

ROUES
RÄDER

DALLA MACCHINA
DE LA MAQUINA
DE LA MACHINE
FROM THE MACHINE
AB DER MASCHINE

ERRATA CORRIGE

L01 1

10/2004

Rev.

ZEN



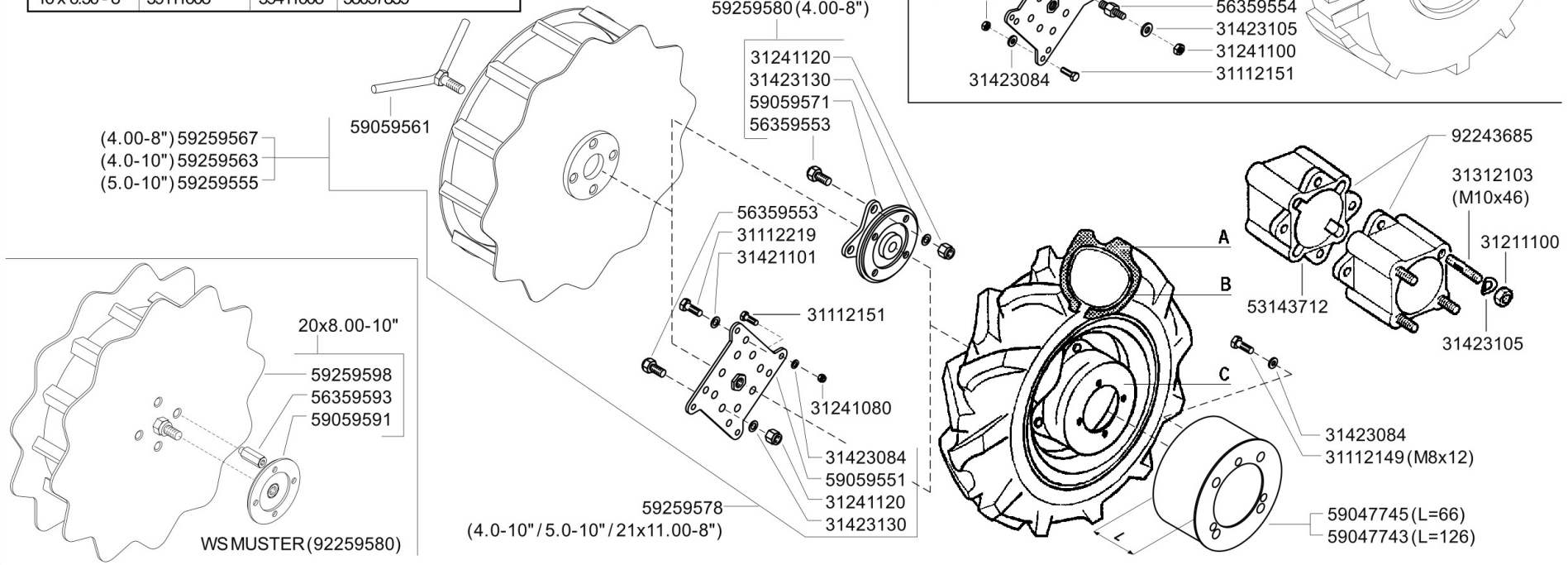
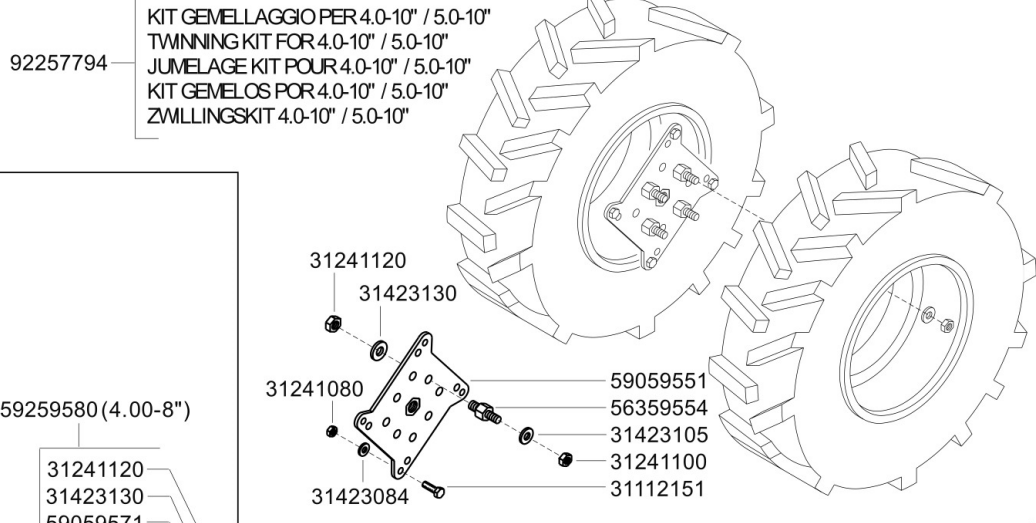
Pos.	Id	Q.ty	Description	Note
31112149	31112149		SCREW TE M8X12 UNI 5739 8G	
31112151	31112151		SCREW TE M8X25 UNI 5739 8G	
31112219	31112219		SCREW TE M10X25 UNI 5739	
31211100	31211100		NUT M10	
31241080	31241080		HEXAGON SELFLOCK NUT M8	
31241100	31241100		SELFLOCK HEXAGON NUT M10	
31241120	31241120		SELFLOCK NUT M12	
31312103	31312103		STUD BOLT M10X46X24X16	
31421101	31421101		WASHER 10 DIN 679	
31423084	31423084		SPRING WASHER 8,4	
31423105	31423105		SPRING WASHER 10,5	
31423130	31423130		SPRING WASHER EL 13 DIN 137-B	
39111608	39111608	1	TYRE 16X6.50-8 4PR	
39113501	39113501		TYRE 21X11.00-8	
39113502	39113502		TYRE 3.50-8 2PR	
39114008	39114008		TYRE 4.00-8 2PR	
39114010	39114010		TYRE 4.0-10 2PR	
39115010	39115010		TYRE 5.00-10 2PR	
39116018	39116018		TYRE 6.5/80-12 2PR	
39118020	39118020		TYRE 20X8.00-10 4PR	
39118021	39118021		COVER 20x8.00-10 FLAT-TR	
39411608	39411608	1	INNER TUBE PER 16-6.50-8	
39413502	39413502		INNER TUBE X 3.50-8	
39414008	39414008		INNER TUBE X 4.00-8	
39414010	39414010		INNER TUBE x 4.0-10	
39415010	39415010		INNER TUBE X 4.0/5.0-10	
39416018	39416018		INNER TUBE X 6-5/80-12	
39416025	39416025		INNER TUBE X 20X8.00-10 TR	
53143712	53143712		SPACER	



Pos.	Id	Q.ty	Description	Note
56359553	56359553		PIN	
56359554	56359554		PIN	
56359593	56359593		DRIVING PIN	
58043250	58043250		RIM 2.50-8	
58043370	58043370		RIM 2.50-8	
58044804	58044804		RIM 5JA12	
58048330	58048330		RIM 3.50D10 CR	
58057795	58057795		RIM 8.50-8	
58057797	58057797	1	RIM 6.00I-10 MUSTER	
58057799	58057799		RIM 6.00I-10	
58057839	58057839	1	RIM 5.25X8	
59047743	59047743		HUBCOVER	
59047745	59047745		HUBCOVER	
59059551	59059551		FLANGE	
59059561	59059561		SCREW	
59059571	59059571		FLANGE	
59059591	59059591		SPACER	
59259555	59259555		SUPER-BITE WHEEL X 5.00-10	
59259563	59259563		WHEEL	
59259567	59259567		WHEEL	
59259578	59259578		FLANGE KIT	
59259580	59259580		FLANGE KIT	
59259598	59259598		WHEEL	
92243685	92243685		WHEEL SPACERS CM 6 (PAIR)	
92257794	92257794		ADAPTER PLATES FOR WHEELS (PAIR)	
92259580	92259580		RUOTE SUPER-BITE 20X8.0-10 (COPPIA)	



	A	B	C
3.50 - 8" (600)	39113502	39413502	58043370
3.50 - 8"	39113502	39413502	58043250
4.00 - 8"	39114008	39414008	58043250
4.0 - 10"	39114010	39414010	58048330
4.0 - 10"	39114010	39414010	58057789 (FIX)
5.0 - 10"	39115010	39415010	58048330
5.0 - 10"	39115010	39415010	58057789 (FIX)
6.5 / 80 - 12"	39116018	39416018	58044804
21 x 11.00 - 8"	39113501	TUBELESS	58057795
20 x 8.00 - 10"	39118021 (TR)	39416025	58057799
20 x 8.00 - 10"	39118020 (GA)	39415010	58057797 (WS MUSTER)
16 x 6.50 - 8"	39111608	39411608	58057839



	600 serie MAX	RUOTE WHEELS RUEDAS ROUES RÄDER	DALLA MACCHINA DE LA MAQUINA DE LA MACHINE FROM THE MACHINE AB DER MASCHINE	AGGIORNAMENTO REVISION MISE A JOUR APLAZAMIENTO ANPASSUNG	Rev. 2
			O.N.	L01	01/2008



Pos.	Id	Q.ty	Description	Note
31112149	31112149	1	SCREW TE M8X12 UNI 5739 8G	
31112151	31112151	1	SCREW TE M8X25 UNI 5739 8G	
31112219	31112219	1	SCREW TE M10X25 UNI 5739	
31211100	31211100	1	NUT M10	
31241080	31241080	1	HEXAGON SELFLOCK NUT M8	
31241100	31241100	1	SELFLOCK HEXAGON NUT M10	
31241120	31241120	1	SELFLOCK NUT M12	
31312103	31312103	1	STUD BOLT M10X46X24X16	
31421101	31421101	1	WASHER 10 DIN 679	
31423084	31423084	1	SPRING WASHER 8,4	
31423105	31423105	1	SPRING WASHER 10,5	
31423130	31423130	1	SPRING WASHER EL 13 DIN 137-B	
39111608	39111608	1	TYRE 16X6.50-8 4PR	
39113501	39113501	1	TYRE 21X11.00-8	
39113502	39113502	1	TYRE 3.50-8 2PR	
39114008	39114008	1	TYRE 4.00-8 2PR	
39114010	39114010	1	TYRE 4.0-10 2PR	
39115010	39115010	1	TYRE 5.00-10 2PR	
39116018	39116018	1	TYRE 6.5/80-12 2PR	
39118020	39118020	1	TYRE 20X8.00-10 4PR	
39118021	39118021	1	COVER 20x8.00-10 FLAT-TR	
39411608	39411608	1	INNER TUBE PER 16-6.50-8	
39413502	39413502	1	INNER TUBE X 3.50-8	
39414008	39414008	1	INNER TUBE X 4.00-8	
39414010	39414010	1	INNER TUBE x 4.0-10	
39415010	39415010	1	INNER TUBE X 4.0/5.0-10	
39416018	39416018	1	INNER TUBE X 6-5/80-12	
39416025	39416025	1	INNER TUBE X 20X8.00-10 TR	
53143712	53143712	1	SPACER	

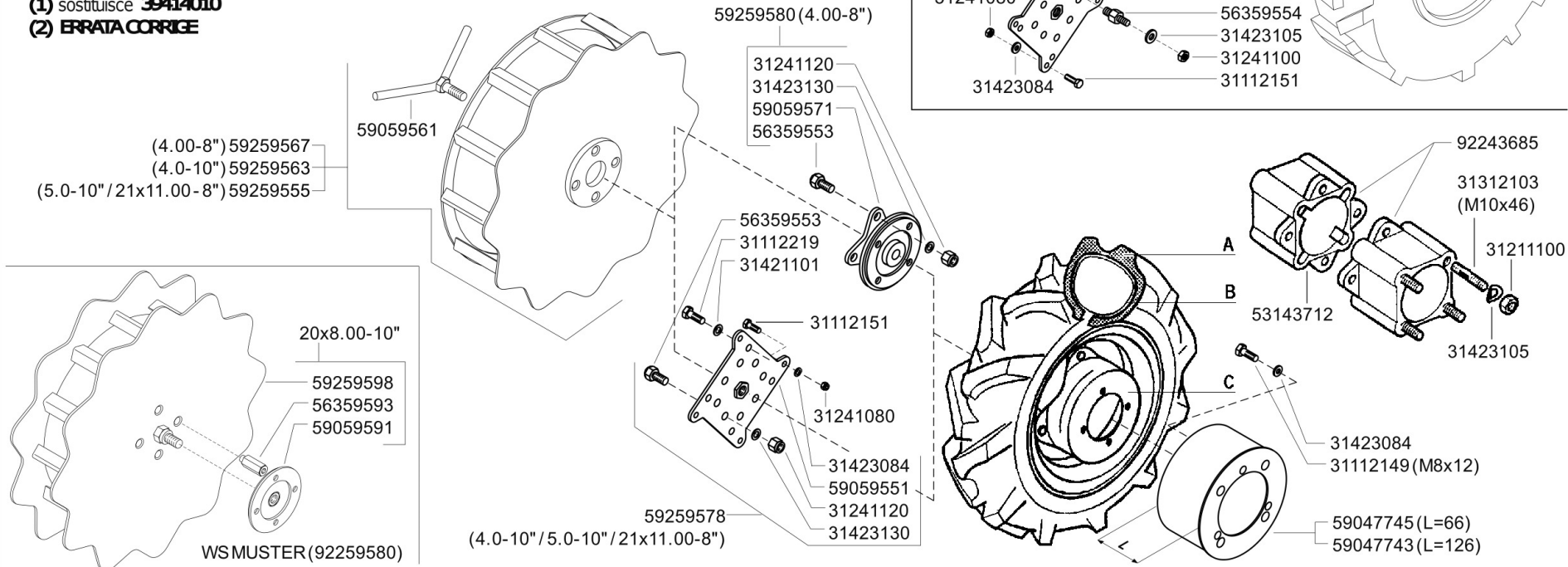
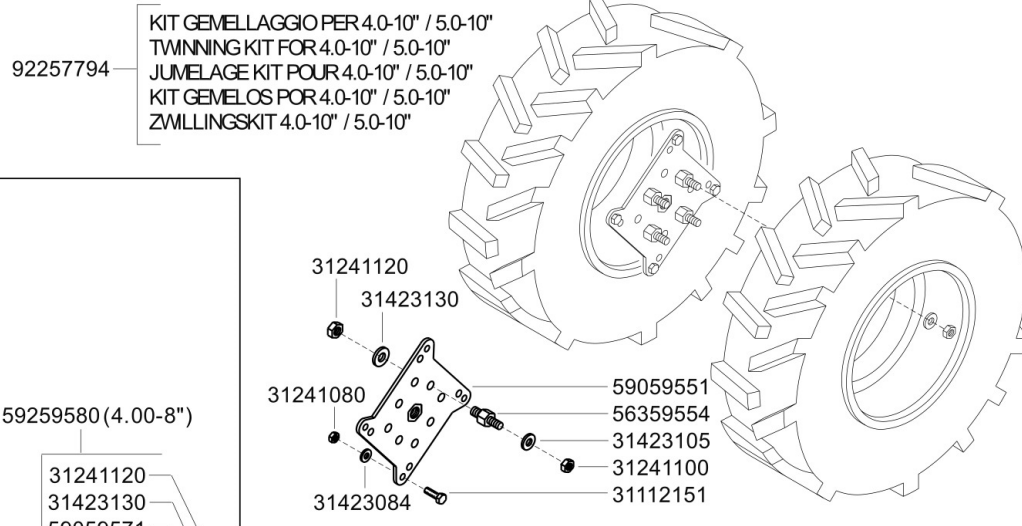


Pos.	Id	Q.ty	Description	Note
56359553	56359553	1	PIN	
56359554	56359554	1	PIN	
56359593	56359593	1	DRIVING PIN	
58043250	58043250	1	RIM 2.50-8	
58043370	58043370	1	RIM 2.50-8	
58044804	58044804	1	RIM 5JA12	
58048330	58048330	1	RIM 3.50D10 CR	
58057789	58057789	1	RIM 3.50-10 WS2	
58057795	58057795	1	RIM 8.50-8	
58057797	58057797	1	RIM 6.00I-10 MUSTER	
58057799	58057799	1	RIM 6.00I-10	
58057839	58057839	1	RIM 5.25X8	
59047743	59047743	1	HUBCOVER	
59047745	59047745	1	HUBCOVER	
59059551	59059551	1	FLANGE	
59059561	59059561	1	SCREW	
59059571	59059571	1	FLANGE	
59059591	59059591	1	SPACER	
59259555	59259555	1	SUPER-BITE WHEEL X 5.00-10	
59259563	59259563	1	WHEEL	
59259567	59259567	1	WHEEL	
59259578	59259578	1	FLANGE KIT	
59259580	59259580	1	FLANGE KIT	
59259598	59259598	1	WHEEL	
92243685	92243685	1	WHEEL SPACERS CM 6 (PAIR)	
92257794	92257794	1	ADAPTER PLATES FOR WHEELS (PAIR)	
92259580	92259580	1	RUOTE SUPER-BITE 20X8.0-10 (COPPIA)	



	A	B	C
3.50 - 8" (600)	39113502	39413502	58043370
3.50 - 8"	39113502	39413502	58043250
4.00 - 8"	39114008	39414008	58043250
4.0 - 10"	39114010	39415010 O(1)	58048330
5.0 - 10"	39115010	39415010	58048330
6.5 / 80 - 12"	39116018	39416018	58044804
21 x 11.00 - 8"	39113501	TUBELESS	58057795
20 x 8.00 - 10"	39118021 (TR)	39416025	58057799
20 x 8.00 - 10"	39118020 (GA)	39415010	58057797 (WS MUSTER)
16 x 6.50 - 8"	3911665 O(2)	39411608	58057839

(1) sostituisce **39414010**
(2) **ERRATA CORRIGE**



	600 serie MAX	RUOTE WHEELS RUEDAS ROUES RÄDER	DALLA MACCHINA DE LA MAQUINA DE LA MACHINE FROM THE MACHINE AB DER MASCHINE	AGGIORNAMENTO REVISION MISE A JOUR APLAZAMIENTO ANPASSUNG	Rev. 3
			O.N.	L01	06/2010



Pos.	Id	Q.ty	Description	Note
31112149	31112149	1	SCREW TE M8X12 UNI 5739 8G	
31112151	31112151	1	SCREW TE M8X25 UNI 5739 8G	
31112219	31112219	1	SCREW TE M10X25 UNI 5739	
31211100	31211100	1	NUT M10	
31241080	31241080	1	HEXAGON SELFLOCK NUT M8	
31241100	31241100	1	SELFLOCK HEXAGON NUT M10	
31241120	31241120	1	SELFLOCK NUT M12	
31312103	31312103	1	STUD BOLT M10X46X24X16	
31421101	31421101	1	WASHER 10 DIN 679	
31423084	31423084	1	SPRING WASHER 8,4	
31423105	31423105	1	SPRING WASHER 10,5	
31423130	31423130	1	SPRING WASHER EL 13 DIN 137-B	
39111665	39111665	1	TYRE 16X6.50-8 4PR	
39113501	39113501	1	TYRE 21X11.00-8	
39113502	39113502	1	TYRE 3.50-8 2PR	
39114008	39114008	1	TYRE 4.00-8 2PR	
39114010	39114010	1	TYRE 4.0-10 2PR	
39115010	39115010	1	TYRE 5.00-10 2PR	
39116018	39116018	1	TYRE 6.5/80-12 2PR	
39118020	39118020	1	TYRE 20X8.00-10 4PR	
39118021	39118021	1	COVER 20x8.00-10 FLAT-TR	
39411608	39411608	1	INNER TUBE PER 16-6.50-8	
39413502	39413502	1	INNER TUBE X 3.50-8	
39414008	39414008	1	INNER TUBE X 4.00-8	
39415010	39415010	1	INNER TUBE X 4.0/5.0-10	
39416018	39416018	1	INNER TUBE X 6-5/80-12	
39416025	39416025	1	INNER TUBE X 20X8.00-10 TR	
53143712	53143712	1	SPACER	
56359553	56359553	1	PIN	



Pos.	Id	Q.ty	Description	Note
56359554	56359554	1	PIN	
56359593	56359593	1	DRIVING PIN	
58043250	58043250	1	RIM 2.50-8	
58043370	58043370	1	RIM 2.50-8	
58044804	58044804	1	RIM 5JA12	
58048330	58048330	1	RIM 3.50D10 CR	
58057789	58057789	1	RIM 3.50-10 WS2	
58057795	58057795	1	RIM 8.50-8	
58057797	58057797	1	RIM 6.00I-10 MUSTER	
58057799	58057799	1	RIM 6.00I-10	
58057839	58057839	1	RIM 5.25X8	
59047743	59047743	1	HUBCOVER	
59047745	59047745	1	HUBCOVER	
59059551	59059551	1	FLANGE	
59059561	59059561	1	SCREW	
59059571	59059571	1	FLANGE	
59059591	59059591	1	SPACER	
59259555	59259555	1	SUPER-BITE WHEEL X 5.00-10	
59259563	59259563	1	WHEEL	
59259567	59259567	1	WHEEL	
59259578	59259578	1	FLANGE KIT	
59259580	59259580	1	FLANGE KIT	
59259598	59259598	1	WHEEL	
92243685	92243685	1	WHEEL SPACERS CM 6 (PAIR)	
92257794	92257794	1	ADAPTER PLATES FOR WHEELS (PAIR)	
92259580	92259580	1	RUOTE SUPER-BITE 20X8.0-10 (COPPIA)	



615 MAX

580.57627

615L MAX

580.57628

615S MAX

580.57629

650 MAX

580.57630

KIT REF.

- 581.57634 (626 REF.)
- 581.57635 (636L REF.)
- 581.57636 (616 REF.)

620 MAX

580.57631

630 MAX

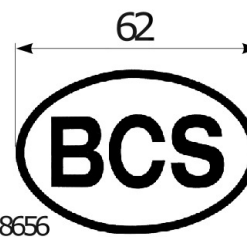
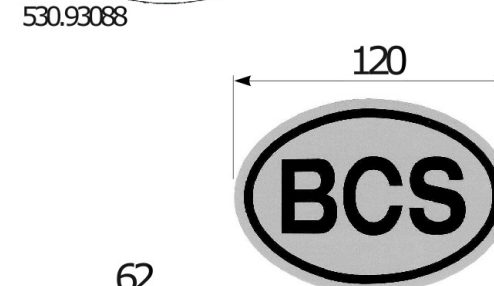
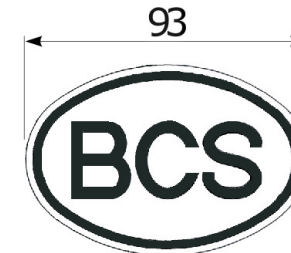
580.57632

WS MUSTER

580.57749

630WS MAX

580.57633



600 serie MAX

STICKERS
ADHESIVOS

ADESIVI

AUTOCOLLANTS
AUFKLEBES

DALLA MACCHINA
DE LA MAQUINA
DE LA MACHINE
FROM THE MACHINE
AB DER MASCHINE

N.

M01 0

09/2004

Rev.

28/NE



Pos.	Id	Q.ty	Description	Note
53048656	53048656	1	OVAL LOGO	
53093088	53093088	1	OVAL LOGO	
58057627	58057627	1	DECAL 615 MAX	
58057628	58057628	1	DECAL 615 L MAX	
58057629	58057629	1	DECAL 615 S MAX	
58057630	58057630	1	DECAL 650 MAX	
58057631	58057631	1	DECAL 620 MAX	
58057632	58057632	1	DECAL 630 MAX	
58057633	58057633	1	DECAL 630WS MAX	
58057680	58057680	1	DECAL	
58057749	58057749	1	DECAL WS MUSTER	
58059211	58059211	1	DECAL BCS	
58157634	58157634	1	STICKERS REFORM 620 MAX	
58157635	58157635	1	STICKERS REFORM 631L MAX	
58157636	58157636	1	SET OF REFORM STICKERS 616 MAX	



600 MAX

58057642 0

615 MAX

58057627

615L MAX

58057628

615S MAX

58057629

650 MAX

58057630

620 MAX

58057631

630 MAX

58057632

WS MUSTER

58057749

630WS MAX

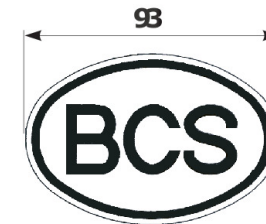
58057633

KIT REF.

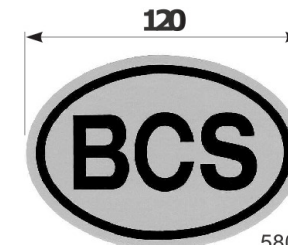
- 58157634 (626 REF.)
- 58157635 (636L REF.)
- 58157636 (616 REF.)



53048656



53093088



58059211



58057680



600 serie **MAX**

STICKERS
ADHESIVOS

ADESIVI

AUTOCOLLANTS
AUFKLEBES

DALLA MACCHINA
DE LA MAQUINA
DE LA MACHINE
FROM THE MACHINE
AB DER MASCHINE

ON.

AGGIORNAMENTO
REVISION
MISE A JOUR
APLAZAMIENTO
ANPASSUNG

M01 1

06/2006

Rev.

2/2006



Pos.	Id	Q.ty	Description	Note
53048656	53048656	1	OVAL LOGO	
53093088	53093088	1	OVAL LOGO	
58057627	58057627	1	DECAL 615 MAX	
58057628	58057628	1	DECAL 615 L MAX	
58057629	58057629	1	DECAL 615 S MAX	
58057630	58057630	1	DECAL 650 MAX	
58057631	58057631	1	DECAL 620 MAX	
58057632	58057632	1	DECAL 630 MAX	
58057633	58057633	1	DECAL 630WS MAX	
58057642	58057642	1	DECAL 600 MAX	
58057680	58057680	1	DECAL	
58057749	58057749	1	DECAL WS MUSTER	
58059211	58059211	1	DECAL BCS	
58157634	58157634	1	STICKERS REFORM 620 MAX	
58157635	58157635	1	STICKERS REFORM 631L MAX	
58157636	58157636	1	SET OF REFORM STICKERS 616 MAX	



600 MAX 58057642

615 MAX 58057627

615L MAX 58057628

615S MAX 58057629

615SL MAX 58057453 0

650 MAX 58057630

620 MAX 58057631

630 MAX 58057632

WS MUSTER 58057749

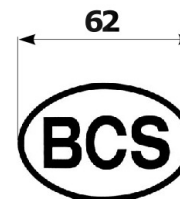
630WS MAX 58057633

KIT REF.

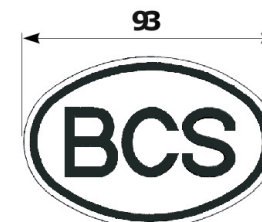
58157634 (626 REF.)
58157635 (636L REF.)
58157636 (616 REF.)



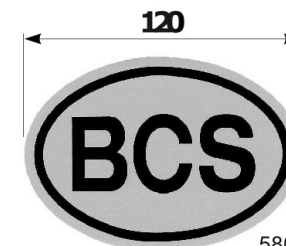
58057680



53048656



53093088



58059211



600 serie **MAX**

STICKERS
ADHESIVOS

ADESIVI

AUTOCOLLANTS
AUFKLEBES

DALLA MACCHINA
DE LA MAQUINA
DE LA MACHINE
FROM THE MACHINE
AB DER MASCHINE

ON.

AGGIORNAMENTO
REVISION
MISE A JOUR
APLAZAMIENTO
ANPASSUNG

M01

Rev. **2**

01/2009

ZENE

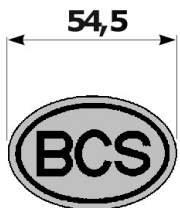


Pos.	Id	Q.ty	Description	Note
53048656	53048656	1	OVAL LOGO	
53093088	53093088	1	OVAL LOGO	
58057453	58057453	1	DECAL 615SL MAX	
58057627	58057627	1	DECAL 615 MAX	
58057628	58057628	1	DECAL 615 L MAX	
58057629	58057629	1	DECAL 615 S MAX	
58057630	58057630	1	DECAL 650 MAX	
58057631	58057631	1	DECAL 620 MAX	
58057632	58057632	1	DECAL 630 MAX	
58057633	58057633	1	DECAL 630WS MAX	
58057642	58057642	1	DECAL 600 MAX	
58057680	58057680	1	DECAL	
58057749	58057749	1	DECAL WS MUSTER	
58059211	58059211	1	DECAL BCS	
58157634	58157634	1	STICKERS REFORM 620 MAX	
58157635	58157635	1	STICKERS REFORM 631L MAX	
58157636	58157636	1	SET OF REFORM STICKERS 616 MAX	



KIT REF.

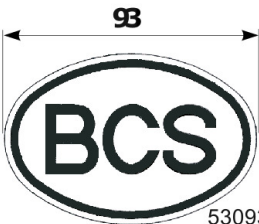
- 58157634 (626 REF.)
- 58157635 (636L REF.)
- 58157636 (616 REF.)



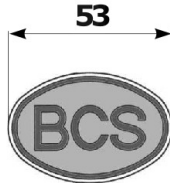
58057643

615 MAX

58058459 0



53093088



53058450 0

615 L MAX

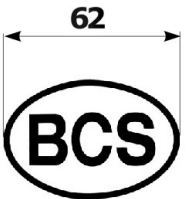
58058460 0

600 MAX

58057642

615 S MAX

58058461 0



53048656

650 MAX

58057630

615 SL MAX

58058462 0



58057749

620 MAX

58058464 0

630 MAX

58058465 0

630WS MAX

58058466 0



600 serie MAX

STICKERS
ADHESIVOS

ADESIVI

AUTOCOLLANTS
AUFKLEBES

DALLA MACCHINA
DE LA MAQUINA
DE LA MACHINE
FROM THE MACHINE
AB DER MASCHINE

ON.

AGGIORNAMENTO
REVISION
MISE A JOUR
APLAZAMIENTO
ANPASSUNG

M01 3

11/2010

Rev.
3
ZENE



Pos.	Id	Q.ty	Description	Note
53048656	53048656	1	OVAL LOGO	
53058450	53058450	1	SMALL OVAL LOGO	
53093088	53093088	1	OVAL LOGO	
58057630	58057630	1	DECAL 650 MAX	
58057642	58057642	1	DECAL 600 MAX	
58057643	58057643	1	OVAL LOGO	
58057749	58057749	1	DECAL WS MUSTER	
58058459	58058459	1	DECAL 615 MAX /11	
58058460	58058460	1	DECAL 615L MAX /11	
58058461	58058461	1	DECAL 615S MAX /11	
58058462	58058462	1	DECAL 615SL MAX /11	
58058464	58058464	1	DECAL 620 MAX /11	
58058465	58058465	1	DECAL 630 MAX /11	
58058466	58058466	1	DECAL 630WS MAX /11	
58157634	58157634	1	STICKERS REFORM 620 MAX	
58157635	58157635	1	STICKERS REFORM 631L MAX	
58157636	58157636	1	SET OF REFORM STICKERS 616 MAX	



615 MAX
1

615 L MAX
2

615 S MAX
3

615 SL MAX
4

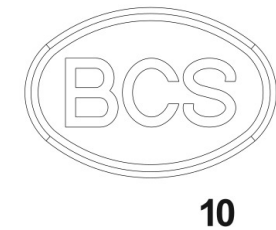
620
MAX
5

630
MAX
6

630WS
7★

630WS
MAX
8

650 MAX
9★



i = info - stop 2 sec. ★ = new part

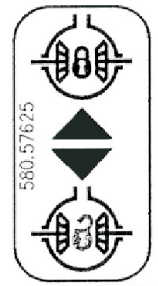


Pos.	Id	Q.ty	Description	Note
1	58058459		DECAL 615 MAX /11	
2	58058460		DECAL 615L MAX /11	
3	58058461		DECAL 615S MAX /11	
4	58058462		DECAL 615SL MAX /11	
5	58058464		DECAL 620 MAX /11	
6	58058465		DECAL 630 MAX /11	
7	58058467		DECAL 630WS /11	
8	58058466		DECAL 630WS MAX /11	
9	58058468		DECAL 650 MAX /11	
10	53058450		SMALL OVAL LOGO	

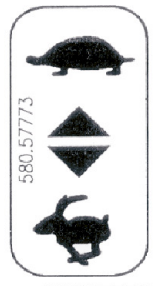




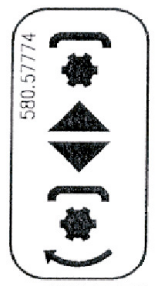
580.57698



580.57625



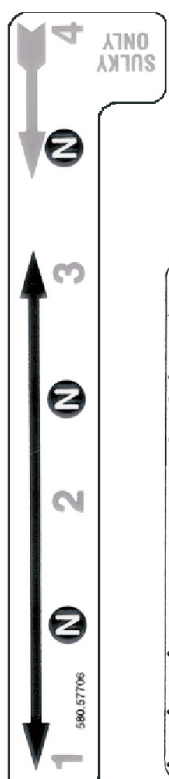
580.57773



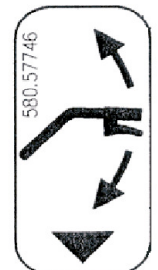
580.57774



580.57772



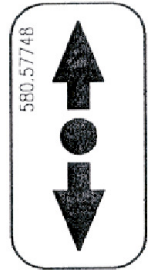
580.57706



580.57746



580.57747



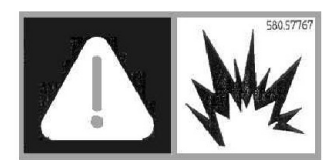
580.57748



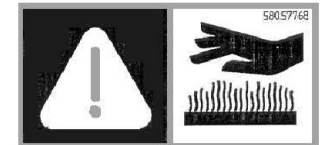
580.46912



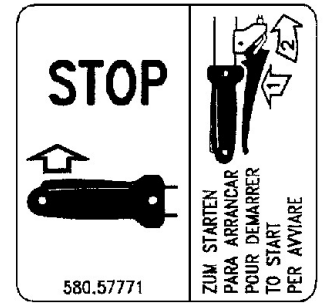
580.46932 (REF.)



580.57767



580.57768



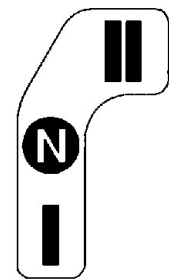
580.57771



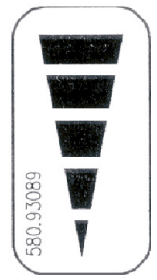
580.57676



580.57712



580.57732



580.93089



580.57770



580.57722



580.57724



600 serie MAX

ADESIVI

STICKERS
ADHESIVOS

AUTOCOLLANTS
AUFKLEBES

DALLA MACCHINA
DE LA MAQUINA
DE LA MACHINE
FROM THE MACHINE
AB DER MASCHINE

N.

Rev. M02 0

09/2004



Pos.	Id	Q.ty	Description	Note
58046912	58046912	1	DECAL	
58046932	58046932	1	DECAL	
58057625	58057625	1	DECAL	
58057676	58057676	1	DECAL	
58057698	58057698	1	DECAL	
58057706	58057706	1	DECAL	
58057712	58057712	1	DECAL	
58057722	58057722	1	DECAL	
58057724	58057724	1	DECAL	
58057732	58057732	1	DECAL	
58057746	58057746	1	DECAL	
58057747	58057747	1	DECAL	
58057748	58057748	1	DECAL	
58057767	58057767	1	DECAL	
58057768	58057768	1	DECAL	
58057770	58057770	1	DECAL	
58057771	58057771	1	DECAL	
58057772	58057772	1	DECAL	
58057773	58057773	1	DECAL	
58057774	58057774	1	DECAL	
58093089	58093089	1	DECAL	



	600 serie MAX	ADESMI	DALLA MACCHINA DE LA MAQUINA DE LA MACHINE FROM THE MACHINE AB DER MASCHINE ON.	AGGIORNAMENTO	M02	Rev. 1
				REVISION		
				MISE A JOUR		
				APLAZAMIENTO		
				ANPASSUNG		
STICKERS ADHESIVOS	AUTOCOLLANTS AUFKLEBES	06/2006		<small>ZENNE</small>		



Pos.	Id	Q.ty	Description	Note
58046912	58046912	1	DECAL	
58046932	58046932	1	DECAL	
58057625	58057625	1	DECAL	
58057676	58057676	1	DECAL	
58057678	58057678	1	DECAL	
58057698	58057698	1	DECAL	
58057706	58057706	1	DECAL	
58057712	58057712	1	DECAL	
58057722	58057722	1	DECAL	
58057724	58057724	1	DECAL	
58057732	58057732	1	DECAL	
58057746	58057746	1	DECAL	
58057747	58057747	1	DECAL	
58057748	58057748	1	DECAL	
58057767	58057767	1	DECAL	
58057768	58057768	1	DECAL	
58057770	58057770	1	DECAL	
58057771	58057771	1	DECAL	
58057772	58057772	1	DECAL	
58057773	58057773	1	DECAL	
58057774	58057774	1	DECAL	
58093089	58093089	1	DECAL	



58057688 0

58057706

58057676

58057698

58093089

58057712

58046912

58057746

58057747

58057748

58057773

58057774

580577625

58057732

58057771

58046932 (REF.)

58057772

58057767

58057768

58057770

580577722



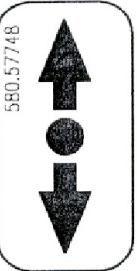
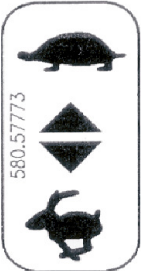

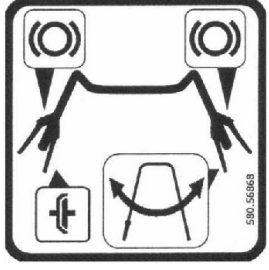


58057724

	600 serie MAX	ADESIVI		ON.	AGGIORNAMENTO	M02	Rev.
		STICKERS	AUTOCOLLANTS		REVISION		2
		ADHESIVOS	AUFKLEBES		MISE A JOUR		
					APLAZAMIENTO		
					ANPASSUNG		
						01/2009	



Pos.	Id	Q.ty	Description	Note
58046912	58046912	1	DECAL	
58046932	58046932	1	DECAL	
58057625	58057625	1	DECAL	
58057676	58057676	1	DECAL	
58057678	58057678	1	DECAL	
58057688	58057688	1	DECAL	
58057698	58057698	1	DECAL	
58057706	58057706	1	DECAL	
58057712	58057712	1	DECAL	
58057722	58057722	1	DECAL	
58057724	58057724	1	DECAL	
58057732	58057732	1	DECAL	
58057746	58057746	1	DECAL	
58057747	58057747	1	DECAL	
58057748	58057748	1	DECAL	
58057767	58057767	1	DECAL	
58057768	58057768	1	DECAL	
58057770	58057770	1	DECAL	
58057771	58057771	1	DECAL	
58057772	58057772	1	DECAL	
58057773	58057773	1	DECAL	
58057774	58057774	1	DECAL	
58093089	58093089	1	DECAL	



<div style="display: flex; flex-direction: column; align-items: center;"> <div style="margin-bottom: 10px;">4</div>  <div style="margin-bottom: 10px;">3</div> <div style="margin-bottom: 10px;">N</div> <div style="margin-bottom: 10px;">2</div> <div style="margin-bottom: 10px;">N</div> <div style="margin-bottom: 10px;">1</div> </div>	 <p>58056864</p>	 <p>58057746</p>	 <p>58057747</p>	 <p>58057748</p>	 <p>58057773</p>	 <p>58057774</p>	 <p>58057767</p>		
	 <p>58056867</p>	 <p>58057625</p>	 <p>58057732</p>	<p>ZUM STARTEN</p> <ul style="list-style-type: none"> • KUPPLUNGSEBEL ANHAKEN, (SIEHE) AUFKLEBER AUF DEM LENKHOLM). • GASHEBEL ZUR MITTE EINSTELLEN. • BENZINHAHN OFFNEN (WENN VORHANDEN). • CHOKE SCHLIESSEN (BEI KALTEM MOTOR). <p>DEN FUSS IN DIE RICHTIGE STELLUNG SETZEN.</p>  <p>ZUM STARTEN</p> <ul style="list-style-type: none"> • DEN SEIL AUF DIE STARTSCHEIBE AUFWICKELN (WENN KEIN REVERSIERSTARTER VORHANDEN IST). • DER STARTERGRIF IN ENTSCHLOSSENER WEISE ZIEHEN, BEI DEM ELEKTROSTARTER SCHLÜSSEL DREHEN. • CHOKE DEFNEN. 	 <p>58057771</p>	 <p>58057772</p>	 <p>58057770</p>	<p>KUPLUNG EMBRAYAGE EMBRAGUE CLUTCH FRIZIONE</p> <p>58057770</p>	 <p>58057722</p>
	<p>58057458</p>	 <p>58056868</p>	 <p>58093089</p>	 <p>58057676</p>	<p>58046932 (REF.)</p>	<p>58057771</p>	<p>58057678</p>	<p>58057770</p>	<p>58057722</p>



600 serie MAX

ADESIVI

STICKERS
ADHESIVOS

AUTOCOLLANTS
AUFKLEBES

DALLA MACCHINA
DE LA MAQUINA
DE LA MACHINE
FROM THE MACHINE
AB DER MASCHINE

ON.

867450 (620-630-WS)
863996 (615L-S-SL)
864056 (615)

Rev. **M02** 3

11/2010

ZENE



Pos.	Id	Q.ty	Description	Note
58046932	58046932	1	DECAL	
58056864	58056864	1	DECAL	
58056867	58056867	1	DECAL	
58056868	58056868	1	DECAL	
58057458	58057458	1	DECAL	
58057625	58057625	1	DECAL	
58057676	58057676	1	DECAL	
58057678	58057678	1	DECAL	
58057722	58057722	1	DECAL	
58057724	58057724	1	DECAL	
58057732	58057732	1	DECAL	
58057746	58057746	1	DECAL	
58057747	58057747	1	DECAL	
58057748	58057748	1	DECAL	
58057767	58057767	1	DECAL	
58057768	58057768	1	DECAL	
58057770	58057770	1	DECAL	
58057771	58057771	1	DECAL	
58057772	58057772	1	DECAL	
58057773	58057773	1	DECAL	
58057774	58057774	1	DECAL	
58093089	58093089	1	DECAL	

