



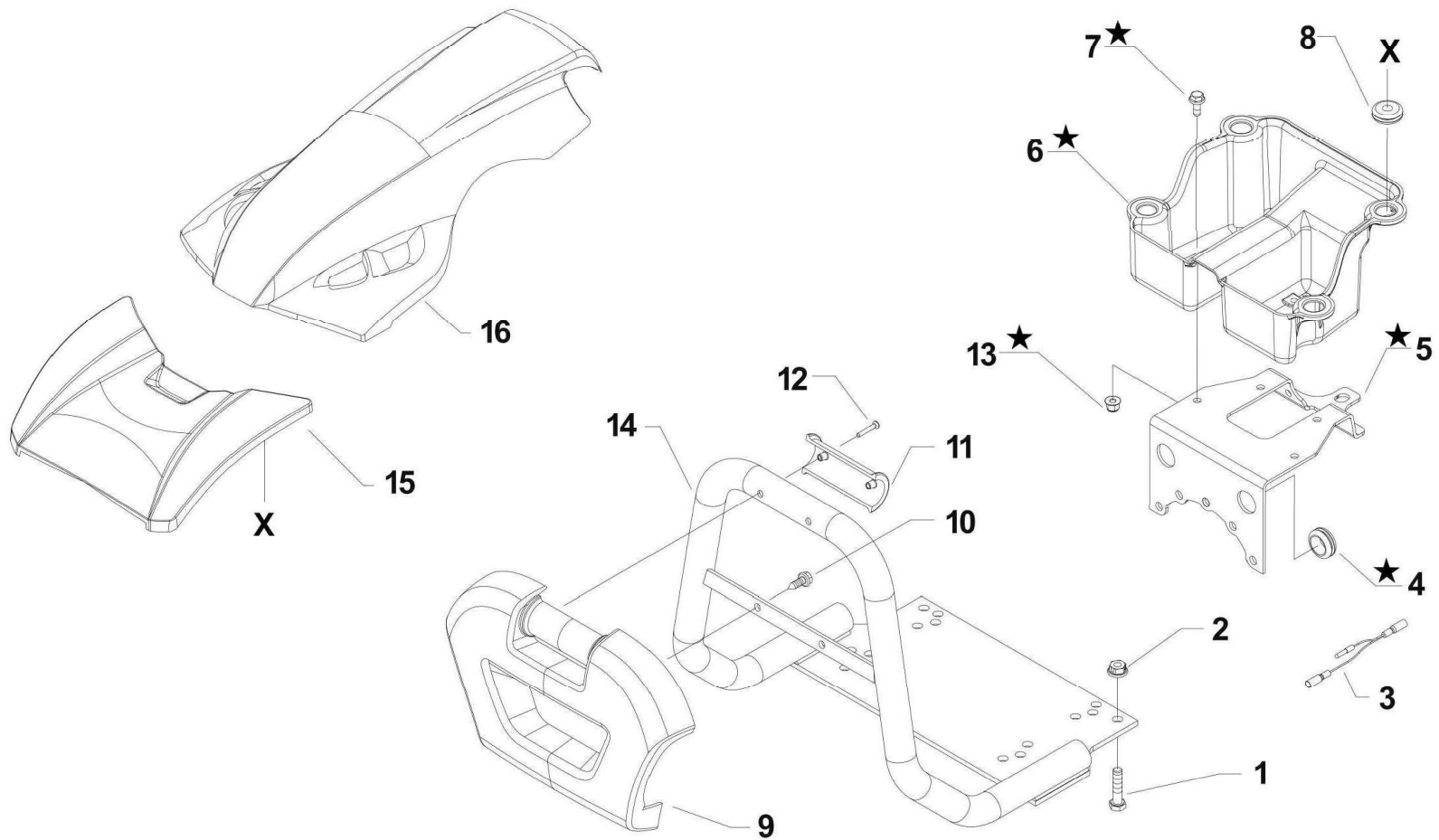
FERRARI Motor mowers, FERRARI 2-wheel tractors

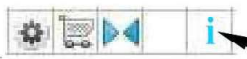
310 TRENDY

13/04/2021

A30009 - 310 TRENDY.....	3
C.01.01.A0027_04 - ENGINE PROTECTIONS.....	4
C01_1_60543 - ENGINE PROTECTIONS.....	6
C01_2_60545 - ENGINE PROTECTIONS.....	8
C01_3_60548 - ENGINE PROTECTIONS.....	10
D.01.02.A0027_03 - CLUTCH.....	12
D01_2_60564 - CLUTCH.....	14
E.01.01.A0027_01 - GEARBOX.....	16
E01_0_27146 - GEARBOX.....	18
F.01.02.A0027_01 - GEARS.....	21
F01_0_27176 - GEARS.....	24
G01_0_27251 - WHEEL AXLE.....	27
H.01.01.A0027_01 - STEERING COLUMN.....	29
I.01.01.A0027_02 - HANDLEBAR.....	31
I01_1_60774 - HANDLEBAR.....	34
J.01.01.A0027_01 - CONTROLS.....	37
J.01.01.A0027_02 - CONTROLS.....	40
K01_1_60913 - WHEELS.....	43
M.02.02.A0027_02 - STICKERS.....	45
M01_1_60965 - STICKERS.....	47
M02_1_60983 - STICKERS.....	49
S.01.01.A0027_00 - ENGINE COVER KIT.....	51





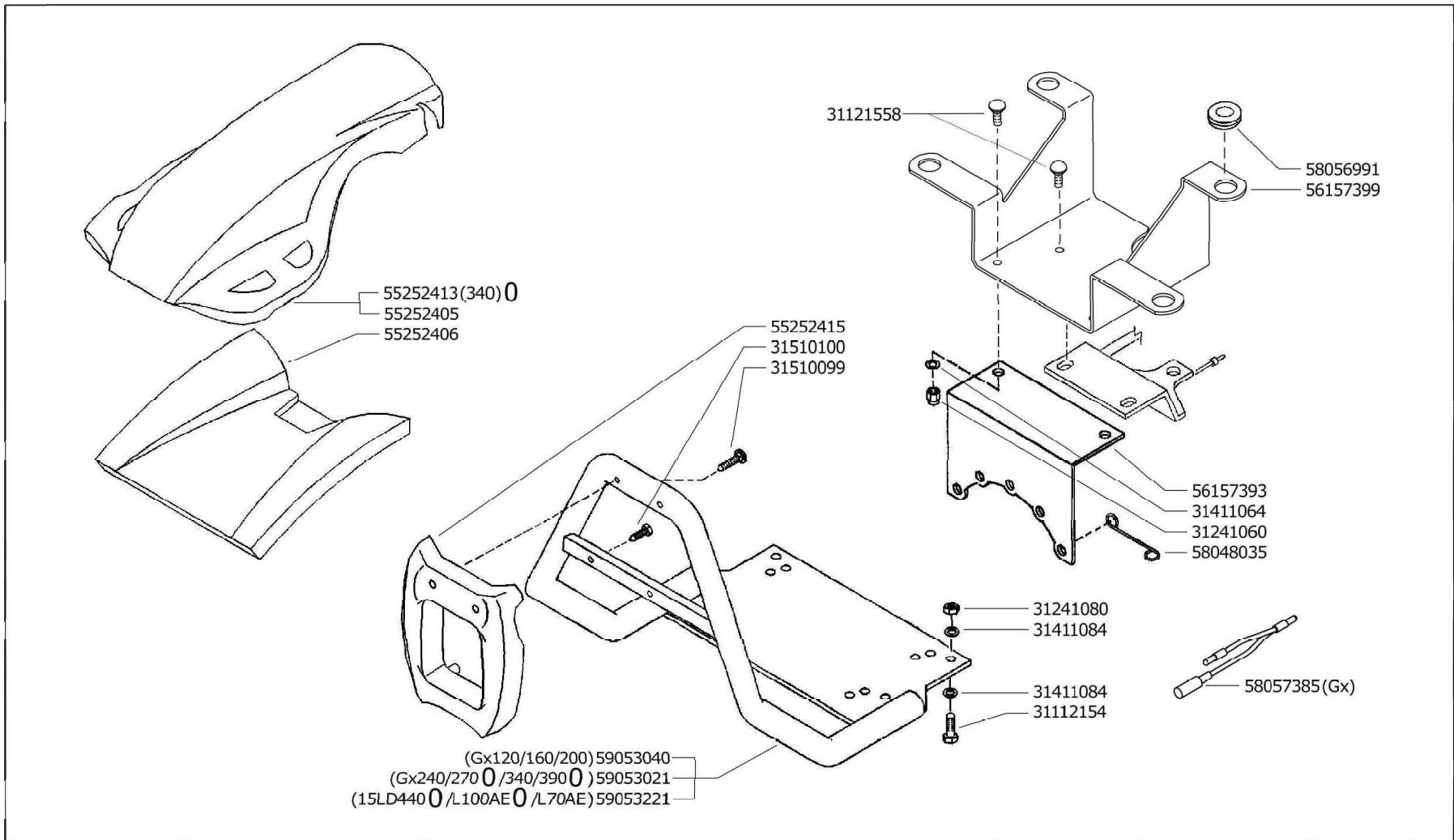

i = info - stop 2 sec. ★ = new part



FERRARI Motor mowers, FERRARI 2-wheel tractors - 310 TRENDY
 C.01.01.A0027_04 - ENGINE PROTECTIONS

Pos.	Id	Q.ty	Description	Note
1	31112154		SCREW TE M8X40 UNI 5739 8G	
2	31241084		SELFLOCK NUT M8 6S	
3	58057385		LINE	
4	581C1004		CABLE GLAND	
5	561C1002		HOLDER	REPLACES 56157393
6	552C1001		FAIRINGS BOX	REPLACES 56157399
7	31112081		SCREW TE C/F M6X20 DIN 6921 8G	
8	58056991		CABLE GLAND 90/200/30	
9	55252503		FREGIO ANT.MC 2010 FERRARI	
10	31510100		RIBBED SCREW 6,3X19 UNI 6950	
11	55252504		HALF BEARING	
12	31100451		SCREW 3,5X25	
13	31241066		SELFLOCK M6 FL NY DIN 6926	REPLACES 31241060 + 31411064
14	59053021H		BUMPER C.15LD-ACT-GX ALUM.	GX240/GX270/GX340/GX390
14	59053040H		ALU COMPLETE BUMPER GX160-200	
14	59056127H		BUMPER FOR 740	L70/L100 - 15KD440
15	55252406		GUARD BATTERY BOX	
16	55252405		GUARD	
16	55252413		GUARD	340



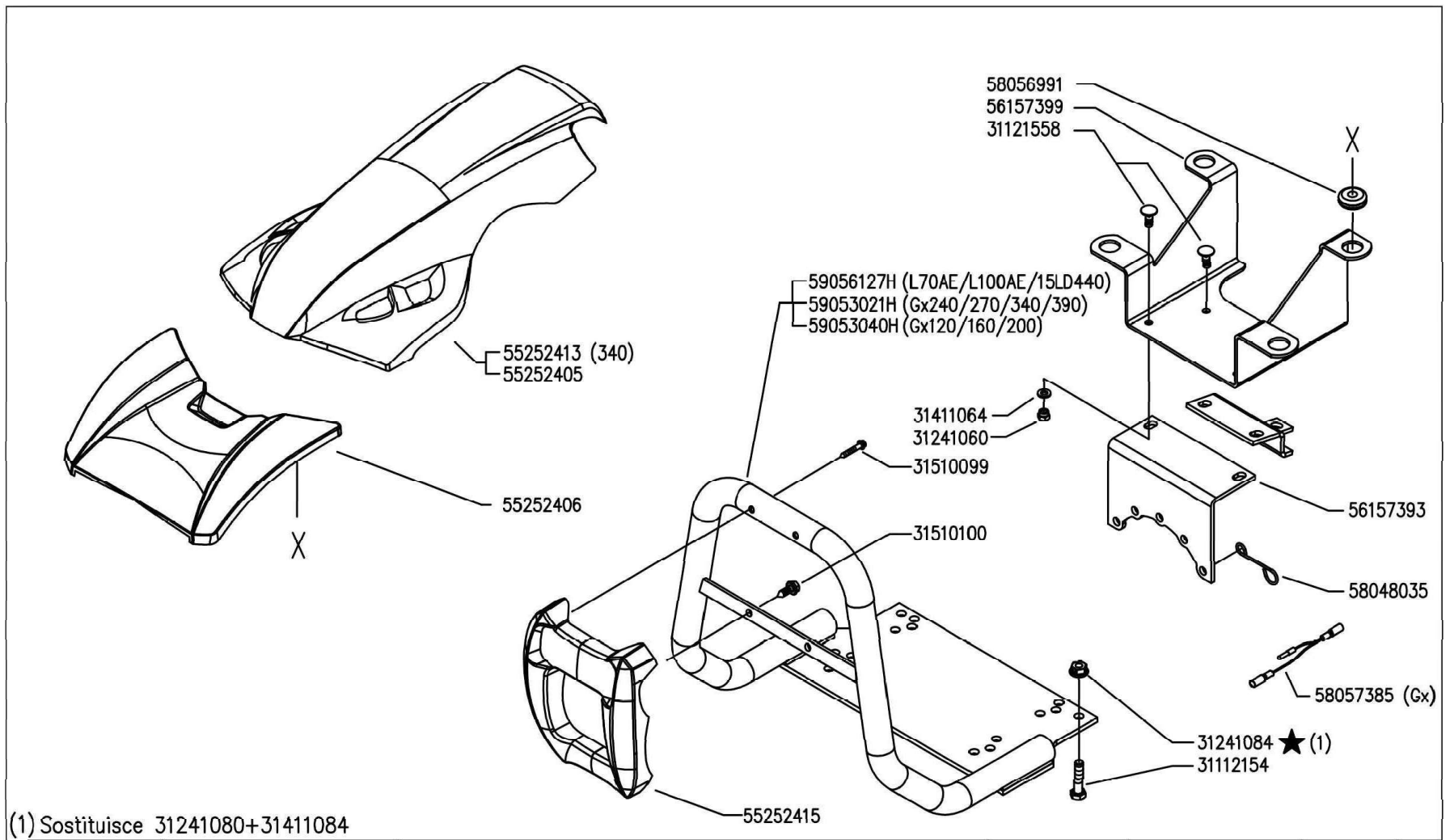


	300 TRENDY	PROTEZIONI MOTORE		DALLA MACCHINA FROM THE MACHINE DE LA MACHINE DE LA MAQUINA AB DER MASCHINE 0 N.	AGGIORNAMENTO	C01	Rev.
		ENGINE PROTECTIONS PROTECCIONES MOTOR	PROTECTIONS MOTEUR MOTORSCHUTZ		REVISION MISE A JOUR APLAZAMIENTO ANPASSUNG		1
					10/2008		ZBVE



Pos.	Id	Q.ty	Description	Note
31112154	31112154	1	SCREW TE M8X40 UNI 5739 8G	
31121558	31121558	1	SCREW TTQ M6X16 UNI 5731	
31241060	31241060	1	HEXAGON SELFLOCK NUT M6	
31241080	31241080	1	HEXAGON SELFLOCK NUT M8	
31411064	31411064	1	WASHER 6,4x12,5	
31411084	31411084	1	WASHER 8,4x17	
31510099	31510099	1	RIBBED SCREW 6,3X38 UNI 6950	
31510100	31510100	1	RIBBED SCREW 6,3X19 UNI 6950	
55252405	55252405	1	GUARD	
55252406	55252406	1	GUARD BATTERY BOX	
55252413	55252413	1	GUARD	
55252415	55252415	1	GUARD	
56157393	56157393	1	HOLDER	
56157399	56157399	1	HOLDER	
58048035	58048035	1	HOLDER	
58056991	58056991	1	CABLE GLAND 90/200/30	
58057385	58057385	1	LINE	
59053021	59053021	1	COMPLETE BUMPERS	
59053040	59053040	1	COMPLETE BUMPERS	
59053221	59053221	1	COMPLETE BUMPERS	



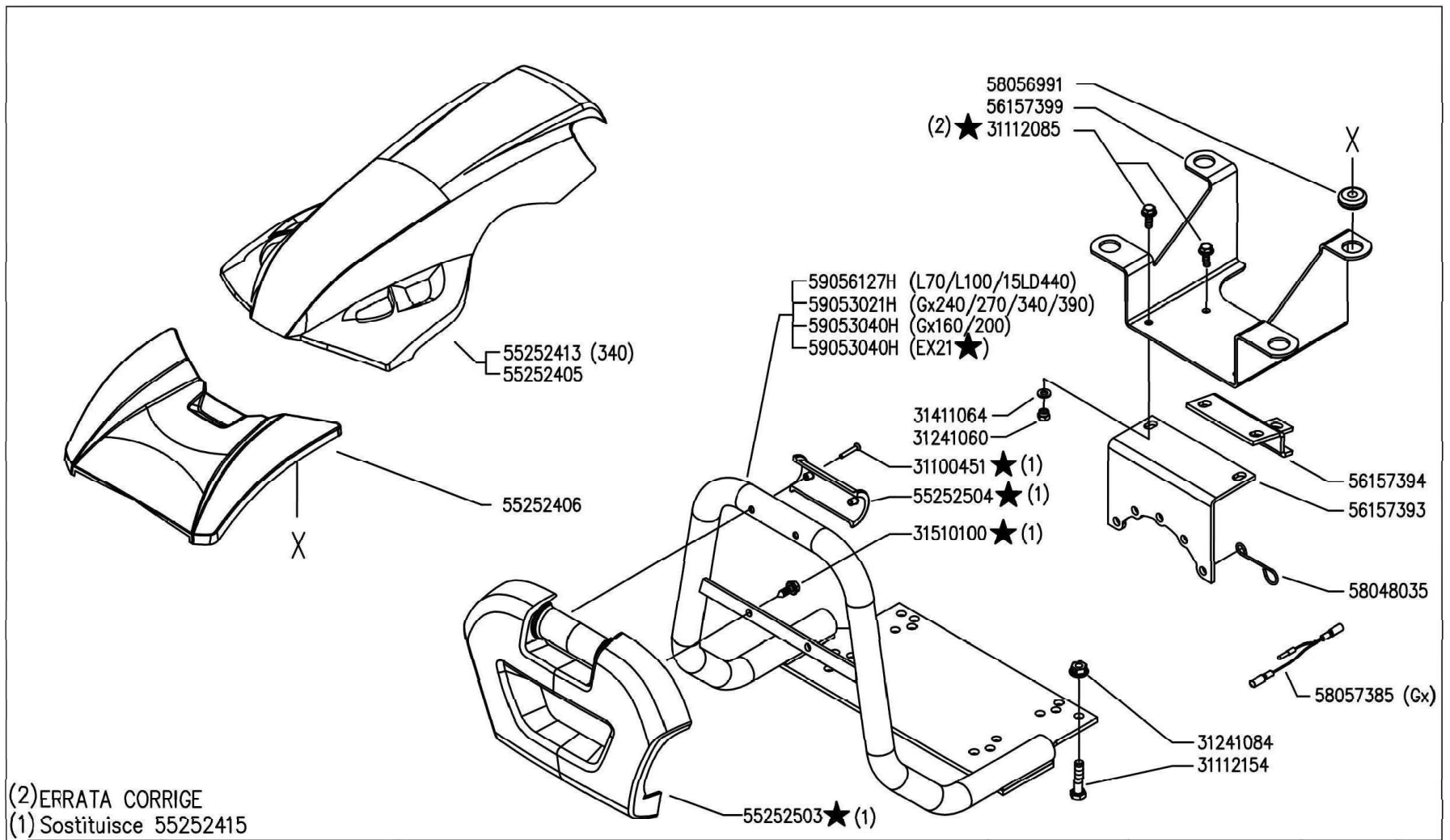


	300 TRENDY	PROTEZIONI MOTORE		DALLA MACCHINA DE LA MACCHINA DE LA MACCHINA FROM THE MACHINE AB DER MASCHINE	AGGIORNAMENTO	C01	Rev. 2	
		ENGINE PROTECTIONS	PROTECTIONS MOTEUR		APLAZAMIENTO			
		PROTECCIONES MOTOR	MOTORSCHUTZ		MISE A JOUR			
					REVISION			
					ANPASSUNG			
				N.	06/2009			



Pos.	Id	Q.ty	Description	Note
59053021R	59053021H	1	BUMPER C.15LD-ACT-GX ALUM.	
59056127R	59056127H	1	BUMPER FOR 740	
59053040R	59053040H	1	ALU COMPLETE BUMPER GX160-200	
31112154	31112154	1	SCREW TE M8X40 UNI 5739 8G	
31121558	31121558	1	SCREW TTQ M6X16 UNI 5731	
31241060	31241060	1	HEXAGON SELFLOCK NUT M6	
31241084	31241084	1	SELFLOCK NUT M8 6S	
31411064	31411064	1	WASHER 6,4x12,5	
31510099	31510099	1	RIBBED SCREW 6,3X38 UNI 6950	
31510100	31510100	1	RIBBED SCREW 6,3X19 UNI 6950	
55252405	55252405	1	GUARD	
55252406	55252406	1	GUARD BATTERY BOX	
55252413	55252413	1	GUARD	
55252415	55252415	1	GUARD	
56157393	56157393	1	HOLDER	
56157399	56157399	1	HOLDER	
58048035	58048035	1	HOLDER	
58056991	58056991	1	CABLE GLAND 90/200/30	
58057385	58057385	1	LINE	





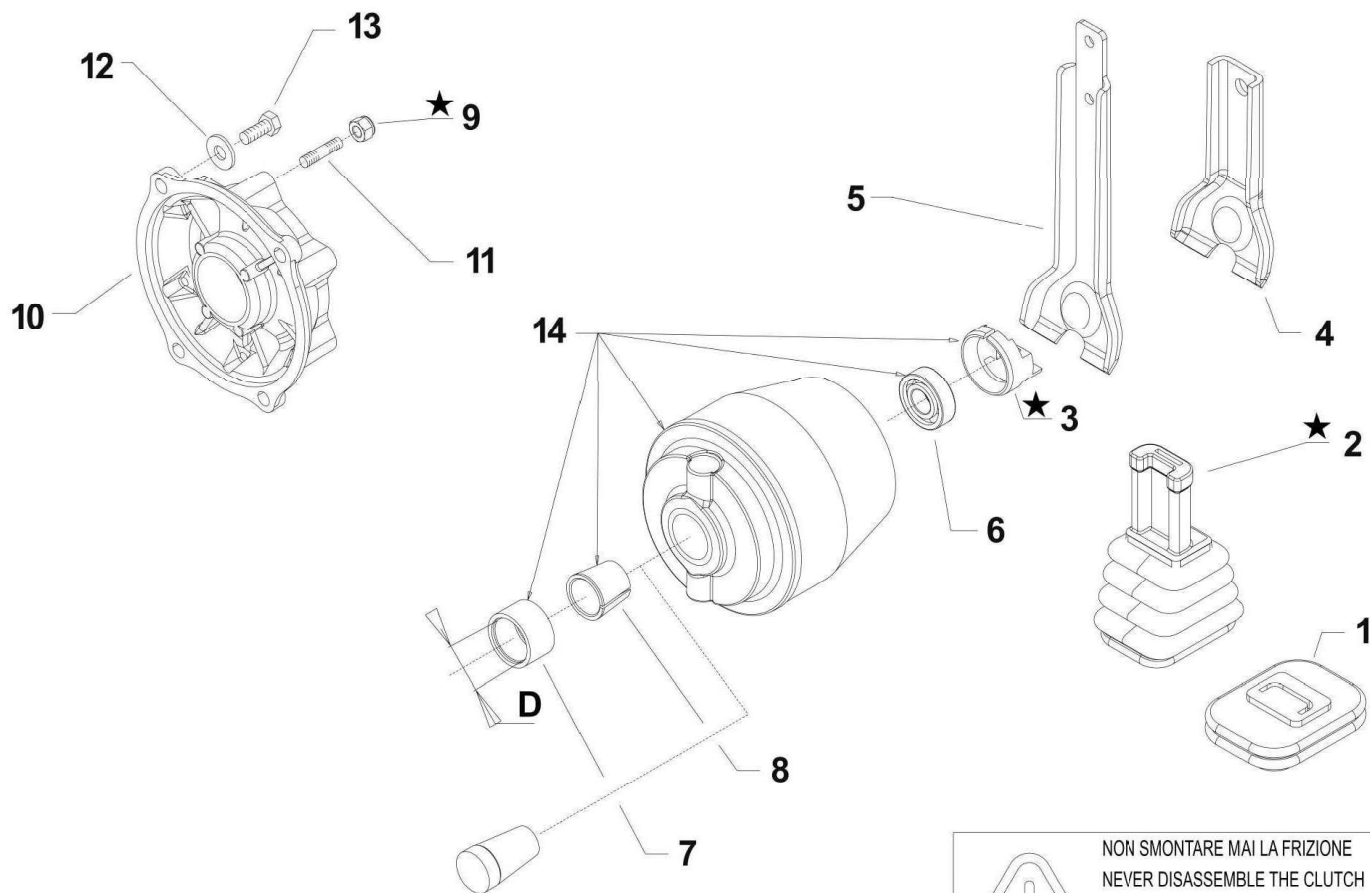
	300 TRENDY	PROTEZIONI MOTORE		DALLA MACCHINA DE LA MACHINA FROM THE MACHINE AB DER MASCHINE	N. 857706	C01	Rev.
		ENGINE PROTECTIONS PROTECCIONES MOTOR	PROTECTIONS MOTEUR MOTORSCHUTZ				3
						03/2011	








FERRARI Motor mowers, FERRARI 2-wheel tractors - 310 TRENDY
C01_3_60548 - ENGINE PROTECTIONS

Pos.	Id	Q.ty	Description	Note
55252503	55252503	1	FREGIO ANT.MC 2010 FERRARI	
59056127H	59056127H	1	BUMPER FOR 740	
55252504	55252504	1	HALF BEARING	
31100451	31100451	1	SCREW 3,5X25	
56157393	56157393	1	HOLDER	
31112154	31112154	1	SCREW TE M8X40 UNI 5739 8G	
56157394	56157394	1	STOP	
31241084	31241084	1	SELFLOCK NUT M8 6S	
56157399	56157399	1	HOLDER	
31510100	31510100	1	RIBBED SCREW 6,3X19 UNI 6950	
58048035	58048035	1	HOLDER	
55252406	55252406	1	GUARD BATTERY BOX	
31112085	31112085	1	SCREW TE M6X16 DIN 6921 8G	
59053040H	59053040H	1	ALU COMPLETE BUMPER GX160-200	
59053021H	59053021H	1	BUMPER C.15LD-ACT-GX ALUM.	
58057385	58057385	1	LINE	
58056991	58056991	1	CABLE GLAND 90/200/30	
31241060	31241060	1	HEXAGON SELFLOCK NUT M6	
55252413	55252413	1	GUARD	
55252405	55252405	1	GUARD	
31411064	31411064	1	WASHER 6,4x12,5	






 NON SMONTARE MAI LA FRIZIONE
 NEVER DISASSEMBLE THE CLUTCH
 NE DEMONTER JAMAIS L'EMBRAYAGE
 NIEVALS DIE KUPPLUNG AUSBAUEN
 NO DESMONTAR JAMAS EL EMBRAGUE





 i = info - stop 2 sec. ★ = new part



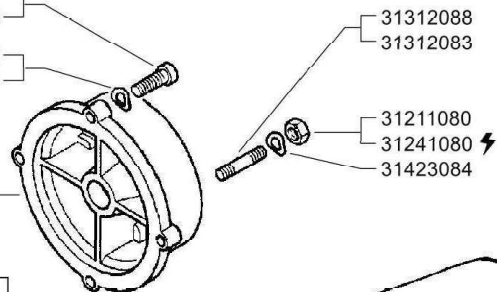
FERRARI Motor mowers, FERRARI 2-wheel tractors - 310 TRENDY
 D.01.02.A0027_03 - CLUTCH

Pos.	Id	Q.ty	Description	Note
1	55157609		BELLOWS	ELECTRIC STARTING
2	55156481		CLUTCH LEVER BELLOWS	REPLACES 55147842
3	524C1014		PRESSURE CONE	REPLACE 52447896
4	50956262		CLUTCH LEVER	ELECTRIC STARTING
5	56147845		CLUTCH LEVER	RECOIL STARTER
6	37112173		BEARING 6203 DDU7C3EX26 NSK	
7	56156284		SPACER D19	
7	56156285		SPACER D25	
8	56156276		SLEEVE D.19	
8	56156281		CENTRING BUSH D.25,4	
9	31241080		HEXAGON SELFLOCK NUT M8	
9	31241083		SELFLOCK NUT M8	REPLACES 31211080 + 31423084
10	53156150		ENGINE FLANGE B&S 8HP I/P	GX240/GX270/GX340/GX390
10	53247488		ENGINE FLANGE H=21	GX120/GX160/GX200 - EX17
11	31312083		STUD BOLT M8X46X16X16	
12	31423084		SPRING WASHER 8,4	
12	31423105		SPRING WASHER 10,5	GX240/GX270/GX340/GX390
13	31100003		SCREW TE 5/16X7/8	GX120/GX160/GX200
13	31100015		SCREW TE 3/8X1	GX240/GX270/GX340/GX390 - EX17
14	59247489		CONIC CLUTCH D=23 1 CPL SPRING	REPLACES 59247884 - 15LD315/15LD350 - L70AE - A220 - ACT280/A349/A360
14	59247513		CONIC CLUTCH D=24 2 SPRINGS	REPLACES 59247924 - 15LD500
14	59247823		CONIC CLUTCH D=23,2 2 SPRINGS	REPLACES 59247971 - L100AE - ACT340 - 15KD440
14	59256255		CLUTCH ASSY	A220 (REF.)
14	592C1010		CLUTCH D.19 Q(UP TO 9HP)	REPLACES 59256275 - GX120/GX160/GX200
14	592C1011		COMPLETE CLUTCH D=25,4 9HP	REPLACES 59256279 - GX240/GX270
14	592C1012		CONIC CLUTCH D=25,4 UP 9HP	REPLACES 59256280 - GX340/GX390

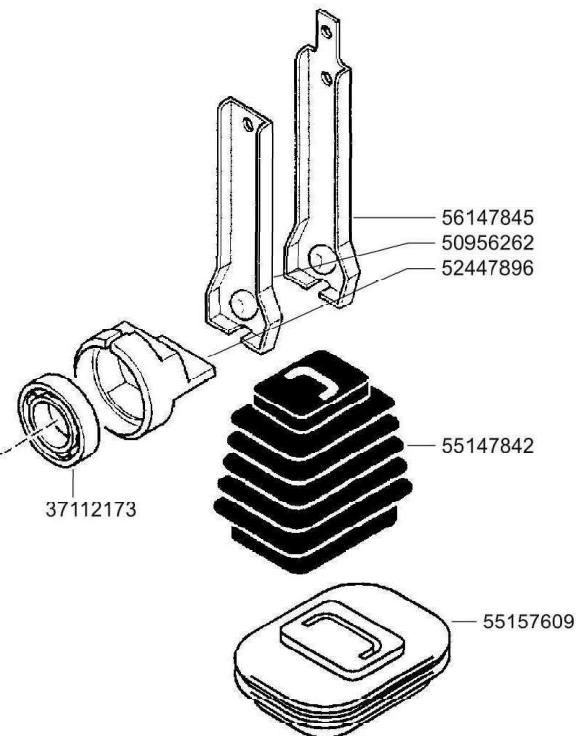
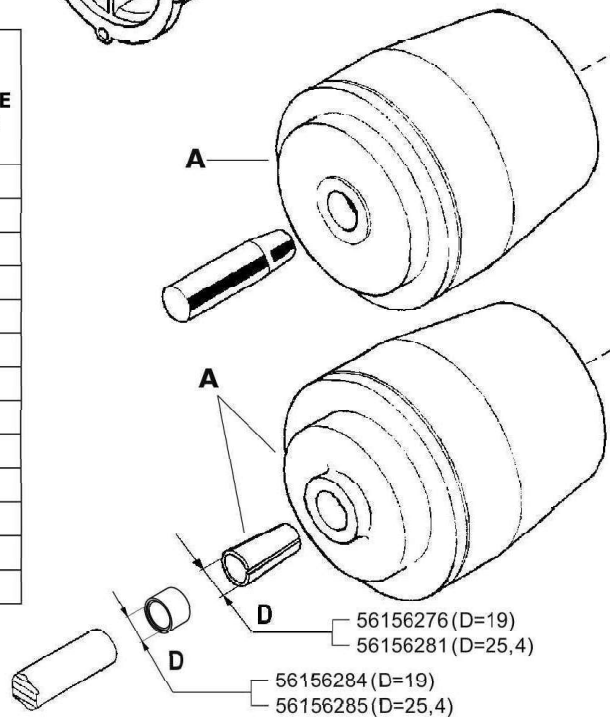


ROBINEX 17 - HONDA Gx 120/160/200 31100003
 HONDA Gx 240/270/340/390 31100015
 HONDA Gx 240/270/340/390 31423105
 31423084

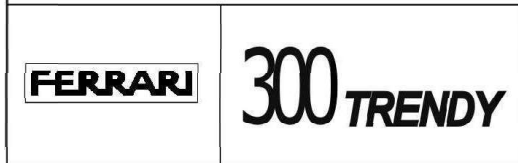
ROBINEX 17 - HONDA Gx 120/160/200 53247488
 HONDA Gx 240/270/340/390 53156150



MOTORE ENGINE MOTEUR MOTOR	FRIZIONE CLUTCH A EMBRAYAGE EMBRAGUE KUPPLUNG
Acme A220	59247884
Acme A220 (REF.)	59256255
Acme ACT 280 - A349 - A360	59247884
Acme ACT 340	59247971
Honda Gx 390 - Gx 340 D=25,4	59256280
Honda Gx 240 / 270 D=25,4	59256279
Honda Gx 120 / 160 / 200 D=19	59256275
Lombardini 15LD315 / 350	59247884
Lombardini 15LD440 \emptyset	59247971
Lombardini 15LD500	59247924
ROBINEX 17 \emptyset	59256275
Yanmar L100AE	59247971
Yanmar L70AE	59247884



! NON SMONTARE MAI LA FRIZIONE
 NEVER DISASSEMBLE THE CLUTCH
 NE DEMONTER JAMAIS L'EMBRAYAGE
 NIEMALS DIE KUPPLUNG AUSBAUEN
 NO DESMONTAR JAMAS EL EMBRAGUE



FRIZIONE A CONO AUTOVENTILANTE

CLUTCH
EMBRAGUE

EMBRAYAGE
KUPPLUNG

DALLA MACCHINA
FROM THE MACHINE
DE LA MACHINE
DE LA MAQUINA
AB DER MASCHINE

AGGIORNAMENTO
REVISION
MISE A JOUR
APLIZAMIENTO
ANPASSUNG

D01	Rev. 2
	10/2008

0 N.



FERRARI Motor mowers, FERRARI 2-wheel tractors - 310 TRENDY
D01_2_60564 - CLUTCH

Pos.	Id	Q.ty	Description	Note
31100003	31100003	1	SCREW TE 5/16X7/8	
31100015	31100015	1	SCREW TE 3/8X1	
31211080	31211080	1	NUT M8	
31241080	31241080	1	HEXAGON SELFLOCK NUT M8	
31312083	31312083	1	STUD BOLT M8X46X16X16	
31312088	31312088	1	STUD BOLT M8X40X14X14	
31423084	31423084	1	SPRING WASHER 8,4	
31423105	31423105	1	SPRING WASHER 10,5	
37112173	37112173	1	BEARING 6203 DDU7C3EX26 NSK	
50956262	50956262	1	CLUTCH LEVER	
52447896	52447896	1	PRESSURE PLATE	
53156150	53156150	1	ENGINE FLANGE B&S 8HP I/P	
53247488	53247488	1	ENGINE FLANGE H=21	
55147842	55147842	1	BELLOWS	
55157609	55157609	1	BELLOWS	
56147845	56147845	1	CLUTCH LEVER	
56156276	56156276	1	SLEEVE D.19	
56156281	56156281	1	CENTRING BUSH D.25,4	
56156284	56156284	1	SPACER D19	
56156285	56156285	1	SPACER D25	
59247884	59247884	1	CLUTCH ASSY	
59247924	59247924	1	CLUTCH	
59247971	59247971	1	CLUTCH	
59256255	59256255	1	CLUTCH ASSY	
59256275	59256275	1	CLUTCH ASSY	
59256279	59256279	1	CLUTCH ASSY	
59256280	59256280	1	CLUTCH ASSY	

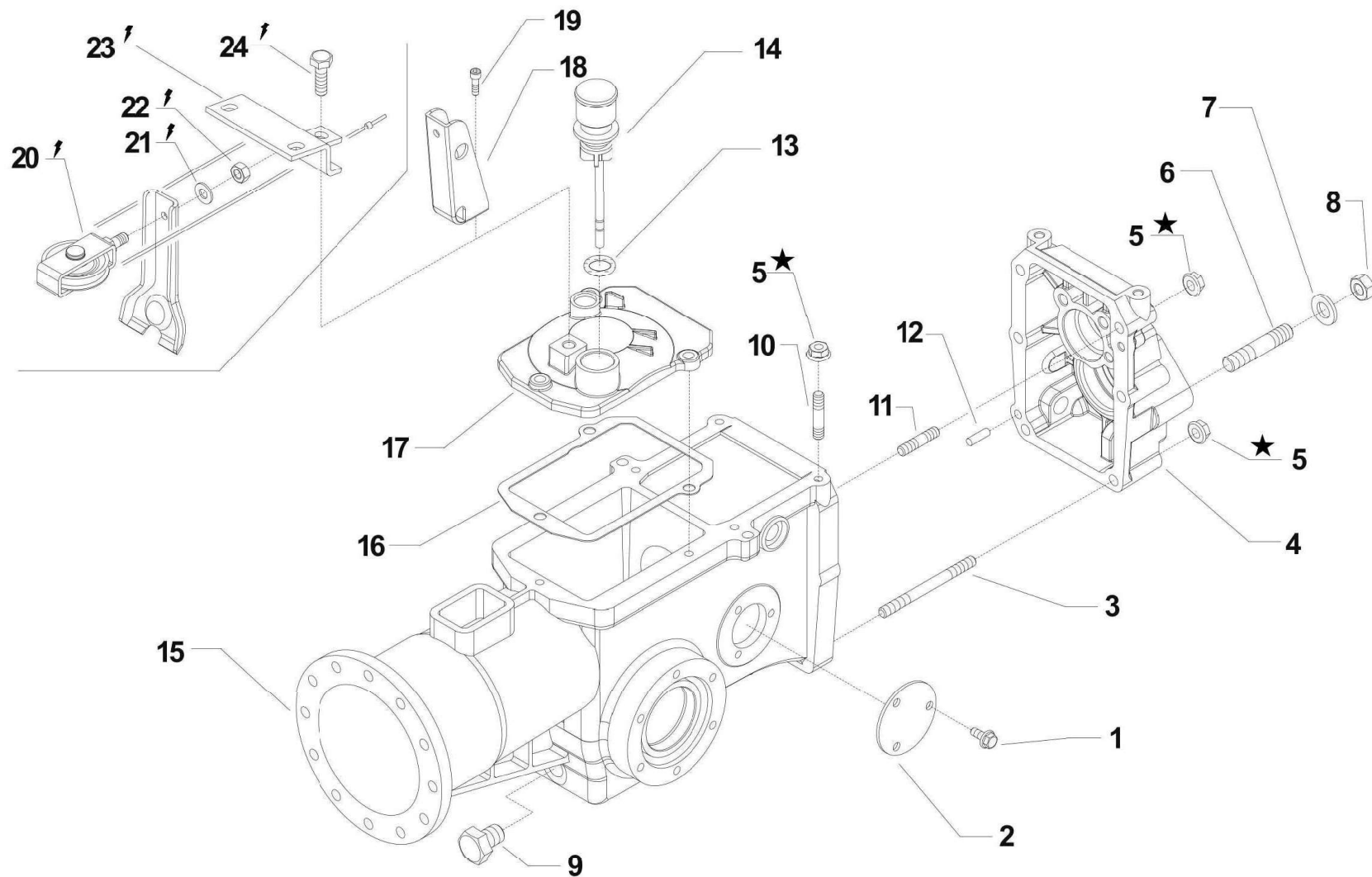


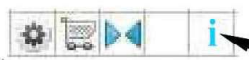
FERRARI Motor mowers, FERRARI 2-wheel tractors - 310 TRENDY

D01_2_60564 - CLUTCH

13/04/2021

Page 15 / 52




i = info - stop 2 sec. ★ = new part



FERRARI Motor mowers, FERRARI 2-wheel tractors - 310 TRENDY
 E.01.01.A0027_01 - GEARBOX

Pos.	Id	Q.ty	Description	Note
1	31112083		SCREW M6X12	
2	56147520Z		COVER	
3	31312094		STUD BOLT M8X68X14X36	
4	53156332V		REAR COVER	
5	31241084		SELFLOCK NUT M8 6S	
6	31312124		STUD BOLT 52XM12X1,25X22XM12X22 8G	310
6	31312125		STUD BOLT 64XM12X1,25X26XM12X30 8G	
7	31423130		SPRING WASHER EL 13 DIN 137-B	
8	31221121		NUT M12X1,25	
9	30040001		PLUG 1/4 UNI 364	
10	31312082		STUD BOLT M8X38X14X20	
11	31312086		STUD BOLT M8X56X20X14	
12	58043053		CYLINDRICAL PLUG	
13	55102678		RUBBER RING	
14	59015425		PLUG	
15	53156346V		BODY	
16	58043117		COVER GASKET	
17	53143128V		COVER	
17	53143875V		GEARBOX HOUSING COVER	330
18	56147923N		BRACKET	
19	31152103		SCREW TCEI M10X25 UNI 5931	
20	59056258		CLUTCH FORK	
21	31421083		WASHER	
22	31241080		HEXAGON SELFLOCK NUT M8	
23	56157394N		STOP	
24	31152103		SCREW TCEI M10X25 UNI 5931	

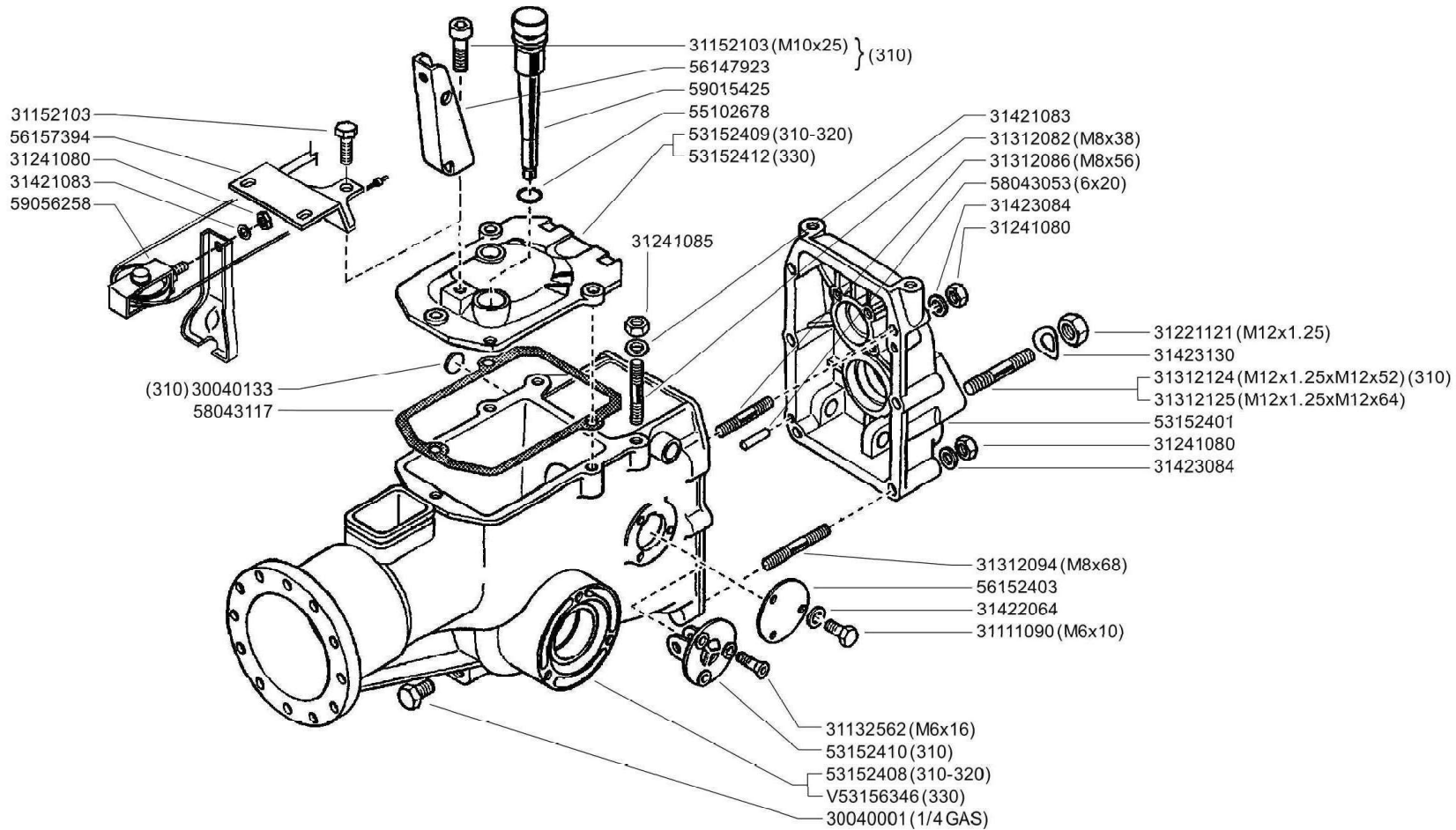


FERRARI Motor mowers, FERRARI 2-wheel tractors - 310 TRENDY

E.01.01.A0027_01 - GEARBOX

13/04/2021

Page 17 / 52



V - verde - green - vert - grün

		SCATOLA CAMBIO		DALLA MACCHINA FROM THE MACHINE DE LA MACHINE DE LA MAQUINA AB DER MASCHINE	Rev.
		GEARBOX CAJA DE CAMBIO	BOTTE DE VITESSES WECHSELGETRIEBE		N.



FERRARI Motor mowers, FERRARI 2-wheel tractors - 310 TRENDY
 E01_0_27146 - GEARBOX

Pos.	Id	Q.ty	Description	Note
30040001	30040001	1	PLUG 1/4 UNI 364	
30040133	30040133	1	PLUG 22 DIN 470	
31111090	31111090	1	SCREW TE M5X10 UNI 5739 8G	
31132562	31132562	1	SCREW TSVEI M6X16 UNI 5933	
31152103	31152103	1	SCREW TCEI M10X25 UNI 5931	
31221121	31221121	1	NUT M12X1,25	
31241080	31241080	1	HEXAGON SELFLOCK NUT M8	
31241085	31241085	1	SELFLOCK NUT M8 6S	
31312082	31312082	1	STUD BOLT M8X38X14X20	
31312086	31312086	1	STUD BOLT M8X56X20X14	
31312094	31312094	1	STUD BOLT M8X68X14X36	
31312124	31312124	1	STUD BOLT 52XM12X1,25X22XM12X22 8G	
31312125	31312125	1	STUD BOLT 64XM12X1,25X26XM12X30 8G	
31421083	31421083	1	WASHER	
31422064	31422064	1	SPRING WASHER 6,4	
31423084	31423084	1	SPRING WASHER 8,4	
31423130	31423130	1	SPRING WASHER EL 13 DIN 137-B	
53152401	53152401	1	REAR COVER	
53152408	53152408	1	BODY	
53152409	53152409	1	COVER	
53152410	53152410	1	GEAR SUPPORT	
53152412	53152412	1	COVER	
53156346	53156346	1	BODY	
55102678	55102678	1	RUBBER RING	
56147923	56147923	1	BRACKET	
56152403	56152403	1	COVER	
56157394	56157394	1	STOP	
58043053	58043053	1	CYLINDRICAL PLUG	
58043117	58043117	1	COVER GASKET	



FERRARI Motor mowers, FERRARI 2-wheel tractors - 310 TRENDY

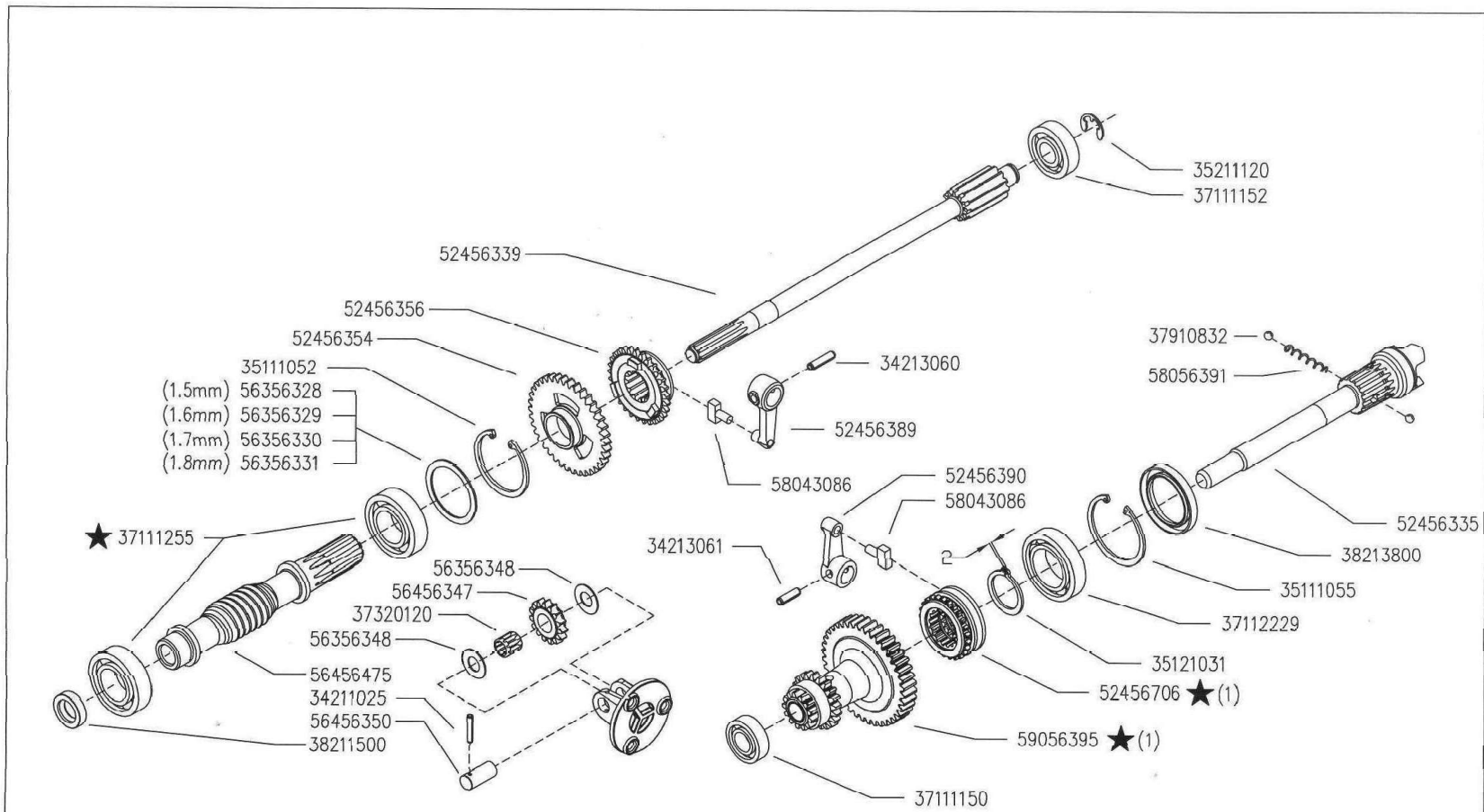
E01_0_27146 - GEARBOX

13/04/2021

Page 19 / 52

Pos.	Id	Q.ty	Description	Note
59015425	59015425	1	PLUG	
59056258	59056258	1	CLUTCH FORK	





(1) Sostituisce 59056378+52456362

	300 TRENDY	GEARS ENGRANAJES	INGRANAGGI CAMBIO (310)	ENGRANAGES ZÄHNRÄDER	DALLA MACCHINA DE LA MAQUINA DE LA MACHINA FROM THE MACHINE AB DER MASCHINE	Rev.
						F01 1
					N.	11/2013

N. 937702



Pos.	Id	Q.ty	Description	Note
1	37111150		BEARING 6202 (15X35X11)	
2	59056395		TRANSMISSION SHAFT	Replaces 59056378 + 52456362
3	52456706		PTO COUPLING	Replaces 59056378 + 52456362
4	35121031		SEEGER RING E 30 UNI 7436	
5	37112229		BEARING 6006 (30X55X13) SKF	
6	35111055		SEEGER RING I 55 DIN 472	
7	38213800		OIL SEAL 38X55X7	
8	52456335		PTO SHAFT L=161	
9	58056391		SPRING	
10	37910832		BALL 1/4	
11	34213061		ROLL PIN	
12	58043086		SHOE	
13	52456390		LEVER	
14	52456389		LEVER	
15	34213060		ROLL PIN	
16	38211500		OIL SEAL 15X28X7	
17	56456350		GEAR PIN	
18	34211025		ROLL PIN 2,5X22 DIN 1481	
19	56456475		SCREW 2	
20	56356348		ADJUSTING RING	
21	37320120		ROLLER CAGE 12X15/10	
22	56456347		GEAR	
23	37111255		BEARING 6205 (25X52X15)	
24	56356328		ADJUSTING RING SP=1,5	
24	56356329		ADJUSTING RING SP=1,6	
24	56356330		ADJUSTING RING SP=1,7	
24	56356331		ADJUSTING RING SP=1,8	
25	35111052		SEEGER RING I 52 DIN 472	
26	52456354		GEAR	



FERRARI Motor mowers, FERRARI 2-wheel tractors - 310 TRENDY

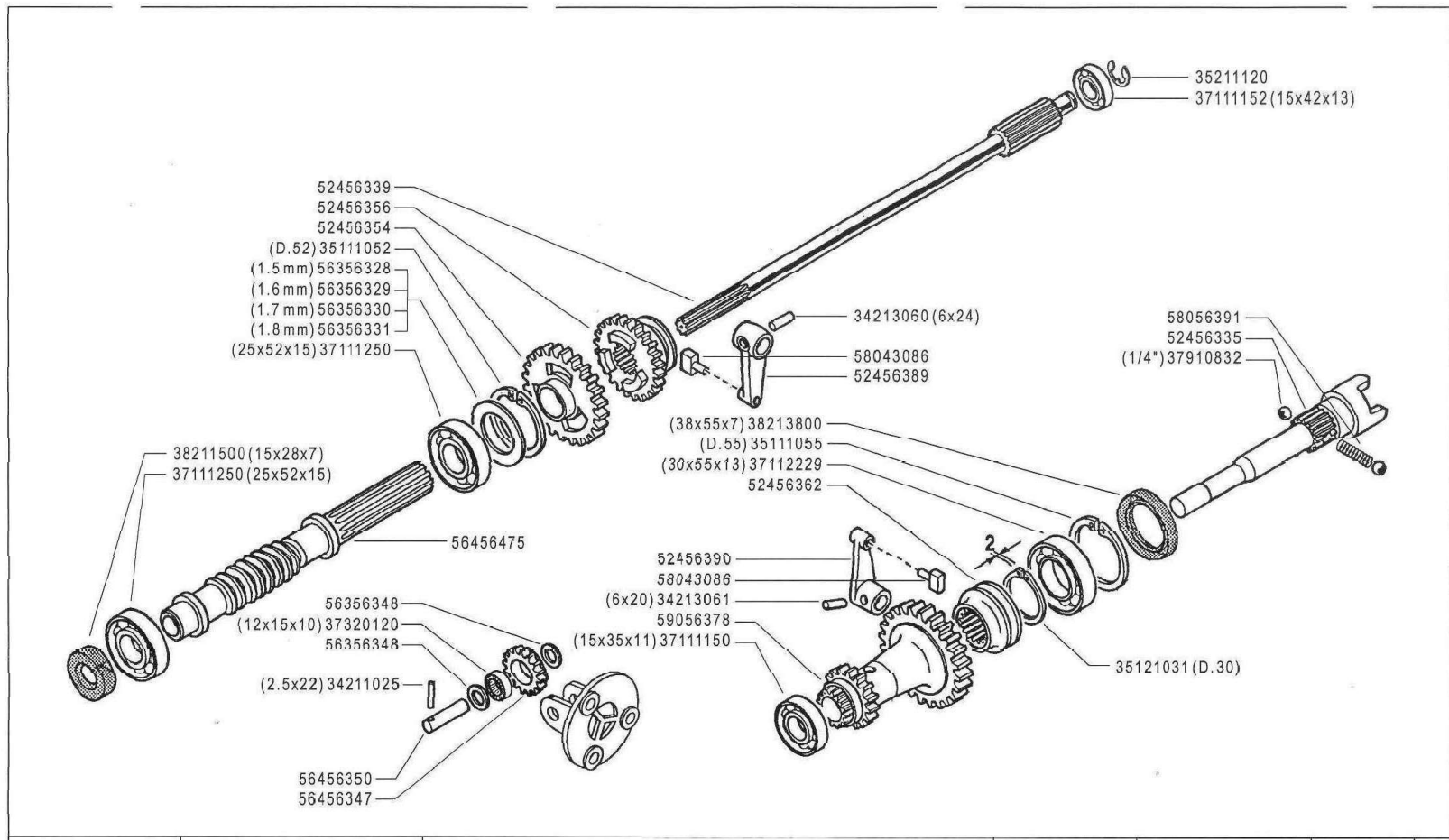
F.01.02.A0027_01 - GEARS

13/04/2021

Page 22 / 52

Pos.	Id	Q.ty	Description	Note
27	52456356		SLIDER	
28	52456339		SHAFT	
29	37111152		BEARING 6302 (15X42X13) SKF	
30	35211120		SEEGER RING E 12 UNI 7434	





	300 TRENDY	INGRANAGGI CAMBIO (310)		DALLA MACCHINA FROM THE MACHINE DE LA MACHINE DE LA MAQUINA AB DER MASCHINE	Rev.
		GEARS ENGRANAJES	ENGRANAGES ZAHNRÄDER		F01
				N. <u>779072</u>	11/2006



FERRARI Motor mowers, FERRARI 2-wheel tractors - 310 TRENDY
F01_0_27176 - GEARS

Pos.	Id	Q.ty	Description	Note
34211025	34211025	1	ROLL PIN 2,5X22 DIN 1481	
34213060	34213060	1	ROLL PIN	
34213061	34213061	1	ROLL PIN	
35111052	35111052	1	SEEGER RING I 52 DIN 472	
35111055	35111055	1	SEEGER RING I 55 DIN 472	
35121031	35121031	1	SEEGER RING E 30 UNI 7436	
35211120	35211120	1	SEEGER RING E 12 UNI 7434	
37111150	37111150	1	BEARING 6202 (15X35X11)	
37111152	37111152	1	BEARING 6302 (15X42X13) SKF	
37111250	37111250	1	BEARING	
37112229	37112229	1	BEARING 6006 (30X55X13) SKF	
37320120	37320120	1	ROLLER CAGE 12X15/10	
37910832	37910832	1	BALL 1/4	
38211500	38211500	1	OIL SEAL 15X28X7	
38213800	38213800	1	OIL SEAL 38X55X7	
52456335	52456335	1	PTO SHAFT L=161	
52456339	52456339	1	SHAFT	
52456354	52456354	1	GEAR	
52456356	52456356	1	SLIDER	
52456362	52456362	1	COUPLING	
52456389	52456389	1	LEVER	
52456390	52456390	1	LEVER	
56356328	56356328	1	ADJUSTING RING SP=1,5	
56356329	56356329	1	ADJUSTING RING SP=1,6	
56356330	56356330	1	ADJUSTING RING SP=1,7	
56356331	56356331	1	ADJUSTING RING SP=1,8	
56356348	56356348	1	ADJUSTING RING	
56456347	56456347	1	GEAR	
56456350	56456350	1	GEAR PIN	



FERRARI Motor mowers, FERRARI 2-wheel tractors - 310 TRENDY

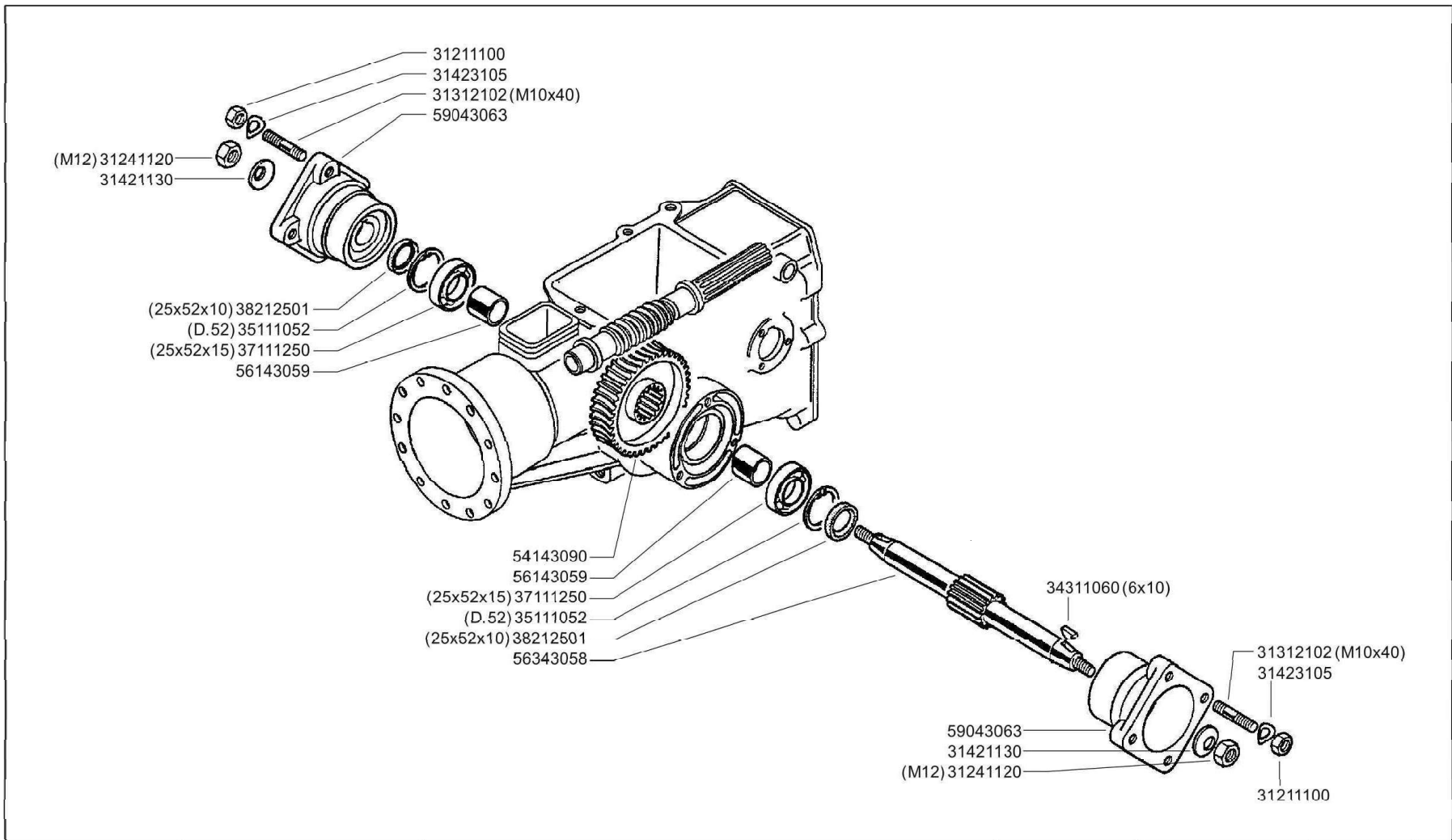
F01_0_27176 - GEARS

13/04/2021

Page 25 / 52

Pos.	Id	Q.ty	Description	Note
56456475	56456475	1	SCREW 2	
58043086	58043086	1	SHOE	
58056391	58056391	1	SPRING	
59056378	59056378	1	TRANSMISSION SHAFT	





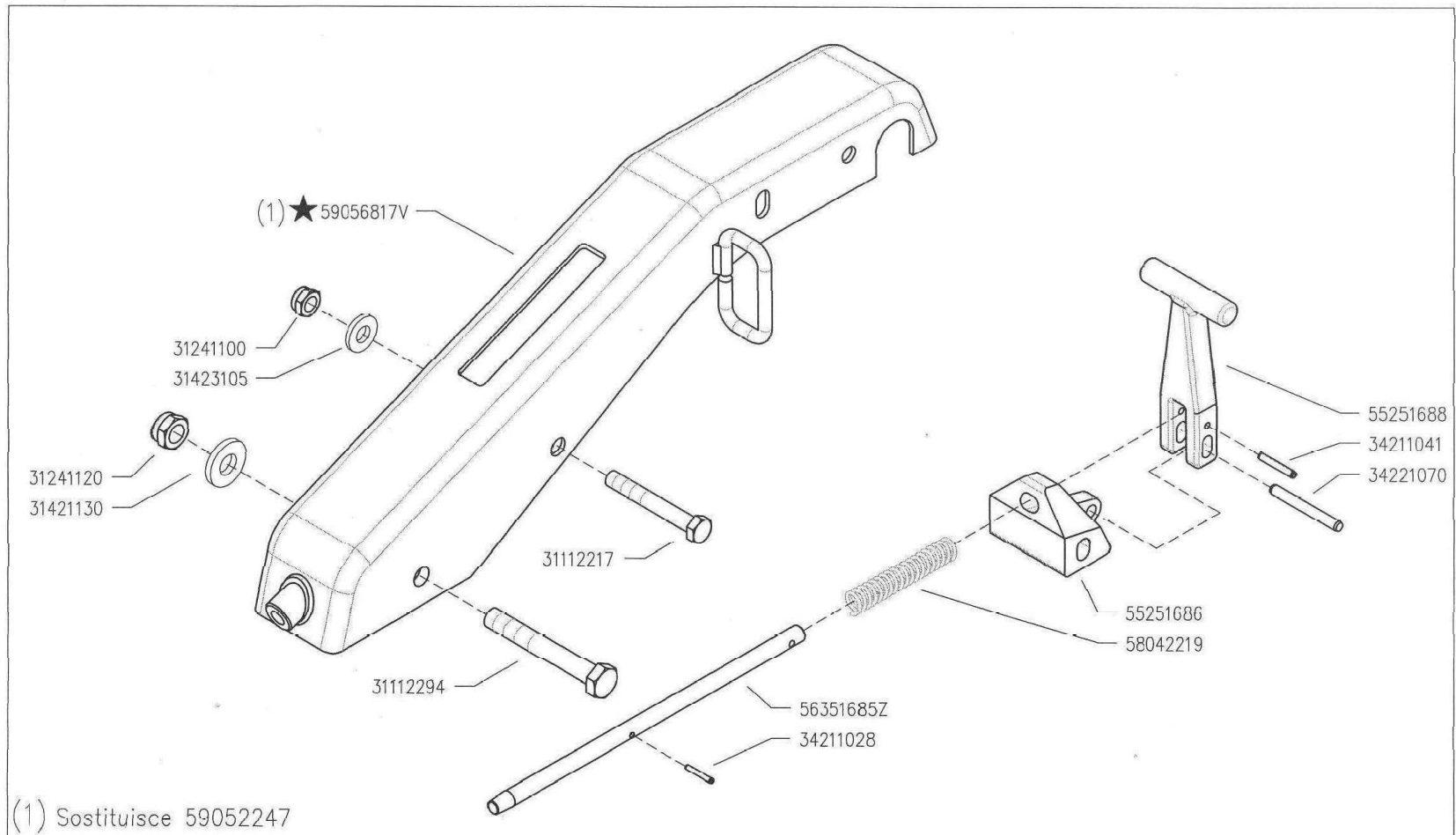
	300 TRENDY	ASSE RUOTE (310-320)		DALLA MACCHINA FROM THE MACHINE DE LA MACHINE DE LA MAQUINA AB DER MASCHINE	Rev.	G01 0
		WHEEL AXLE EJE RUEDAS	ESSEU ROUES RÄDACHSE		N.	



FERRARI Motor mowers, FERRARI 2-wheel tractors - 310 TRENDY
 G01_0_27251 - WHEEL AXLE

Pos.	Id	Q.ty	Description	Note
31211100	31211100	1	NUT M10	
31241120	31241120	1	SELFLOCK NUT M12	
31312102	31312102	1	STUD BOLT M10X40X24X12	
31421130	31421130	1	WASHER	
31423105	31423105	1	SPRING WASHER 10,5	
34311060	34311060	1	KEY 6X10 UNI 6606	
35111052	35111052	1	SEEGER RING I 52 DIN 472	
37111250	37111250	1	BEARING	
38212501	38212501	1	OIL SEAL 25X52X10	
54143090	54143090	1	CROWN WHEELZ=49 DESTROSA	
56143059	56143059	1	SPACER	
56343058	56343058	1	AXLE SHAFT	
59043063	59043063	1	WHEEL HUB	





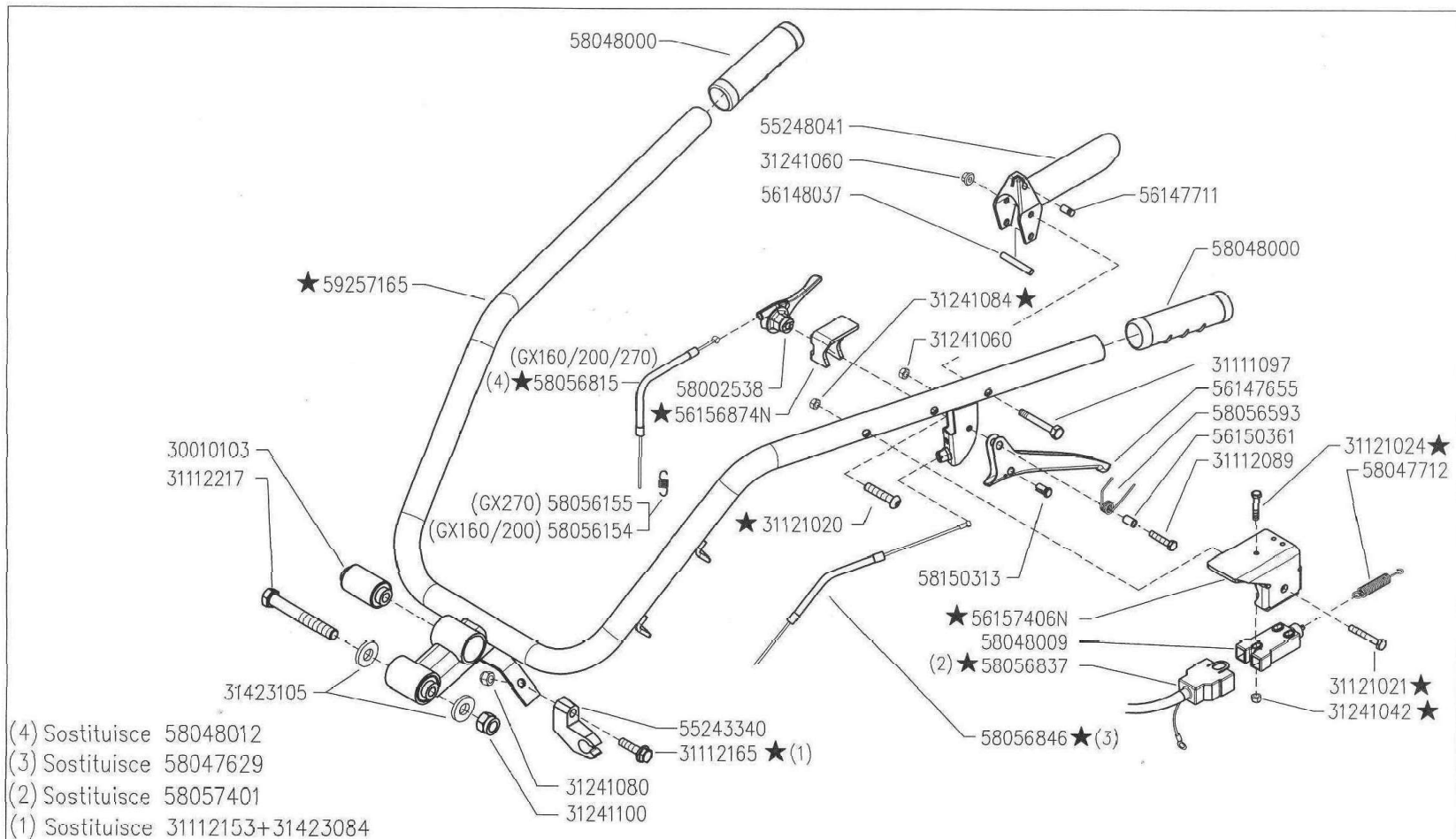
	300 TRENDY	STEERING COLUMN COLUMNA	PIANTONE (310)	PLANTON LENKSÄULE	DALLA MACCHINA DE LA MAQUINA DE LA MACHINA FROM THE MACHINE AB DER MASCHINE	ACCIORNAMENTO	H01	Rev. 1
						REVISION		
N.						MISE A JOUR	09/2010	
						APLAZAMIENTO ANPASSUNG		



FERRARI Motor mowers, FERRARI 2-wheel tractors - 310 TRENDY
H.01.01.A0027_01 - STEERING COLUMN

Pos.	Id	Q.ty	Description	Note
1	34211028		ROLL PIN 3,0X18 DIN 1481	
2	56351685Z		ROD	
3	58042219		SPRING	
4	55251686		LEVER BEARING	
5	34221070		CYLINDRICAL PLUG 8X50 UNI 1707	
6	34211041		ROLL PIN	
7	55251688		LEVER	
8	31112294		SCREW TE M12X85 UNI 5737	
9	31112217		SCREW TE M10X80 UNI 5737	
10	31421130		WASHER	
11	31241120		SELFLOCK NUT M12	
12	31423105		SPRING WASHER 10,5	
13	31241100		SELFLOCK HEXAGON NUT M10	
14	59056817V		COLUMN	REPLACES 59052247





	300 TRENDY	HANDLEBAR MANILLAR	MANUBRIO (310)	MANCHERON LINCHER	DALLA MACCHINA DE LA MAQUINA FROM THE MACHINE AB DER MASCHINE	N. 864056	Rev. 101	2
							09/2010	



Pos.	Id	Q.ty	Description	Note
1	31241042		SELFLOCK NUT M4 FL.6S	
2	31121021		SCREW TBCEI M8X50 ISO7380	
3	58047712		SPRING	
4	31121024		SCREW TBCEI FL.M4X25	
5	58056846		LINE AND SHEATH L=1190	REPLACES 58047629
6	58056837		WIRING	REPLACES 58057401
7	58048009		ENGINE STOP SWITCH	
8	56157406N		ENGINE STOP CONTROL PANEL	
9	31112089		SCREW TE M6X25 UNI 5739 8G	
10	56150361		SPACER	
11	58056593		SPRING	
12	56147655		CLUTCH LEVER	
13	31111097		SCREW TE M6X45 UNI 5737 8G	
14	58048000		KNOB D=27	
15	56147711		PIN	
16	58150313		CABLE CLAMP	
17	31121020		SCREW TBCEI M8X40 ISO7380 10K Z	
18	31241060		HEXAGON SELFLOCK NUT M6	
19	31241084		SELFLOCK NUT M8 6S	
20	56148037		LEVER STOP	
21	55248041		LEVER	
22	31241100		SELFLOCK HEXAGON NUT M10	
23	31241080		HEXAGON SELFLOCK NUT M8	
24	31112165		SCREW TE C/F M8X35 DIN 6921 8G	REPLACES 31112153 + 31423084
25	55243340		SUPPORT	
26	58056154		RESTORING SPRING	
26	58056155		RESTORING SPRING	
27	56156874N		PANEL	
28	58002538		ACCELERATOR	



FERRARI Motor mowers, FERRARI 2-wheel tractors - 310 TRENDY

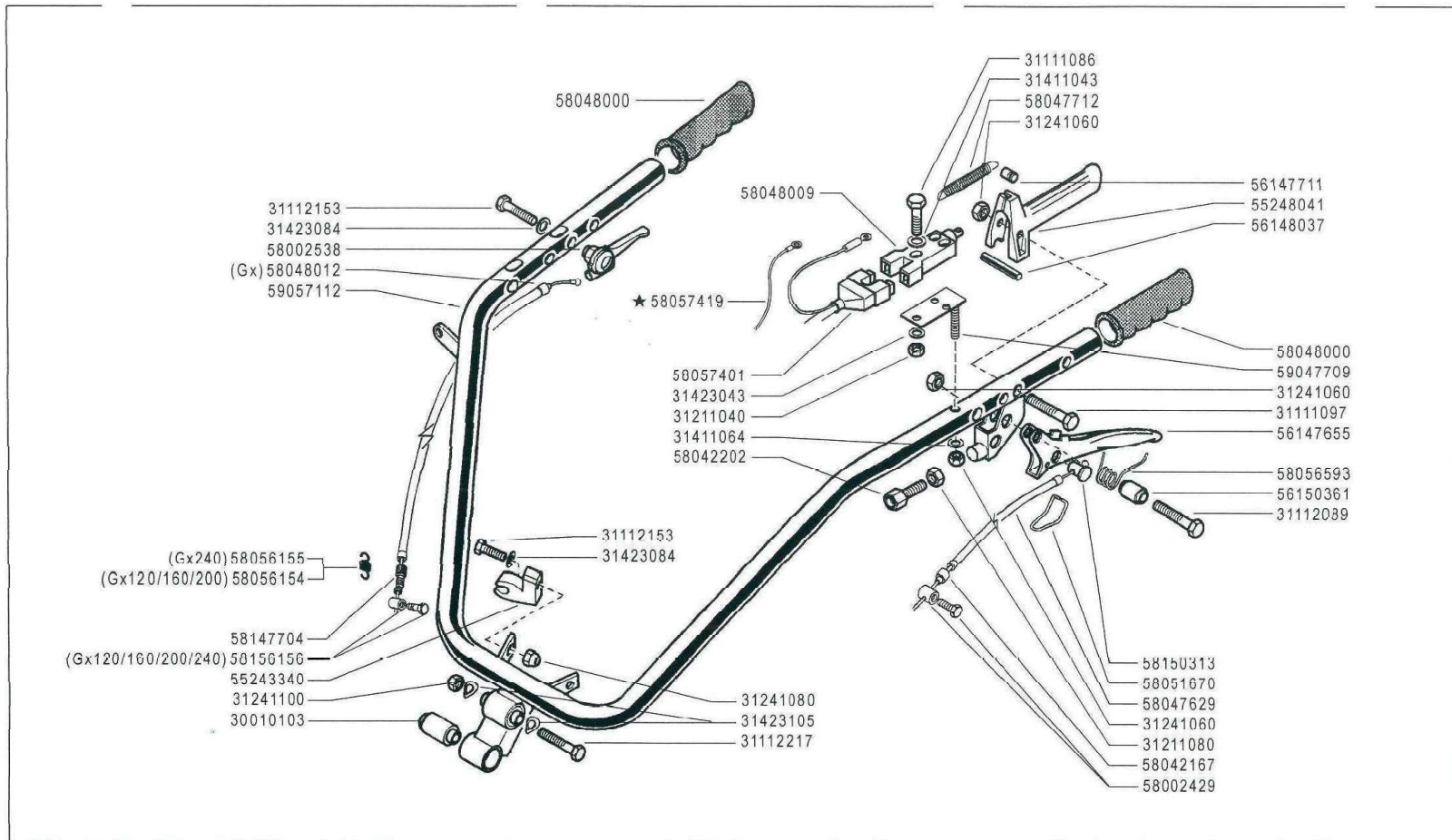
I.01.01.A0027_02 - HANDLEBAR

13/04/2021

Page 32 / 52

Pos.	Id	Q.ty	Description	Note
29	58056815		LINE AND SHEATH L=1950	REPLACES 58048012 / GX160-200-270
30	31423105		SPRING WASHER 10,5	
31	31112217		SCREW TE M10X80 UNI 5737	
32	30010103		SILENT-BLOCK 10,2X30X45X60,5	
33	59257165		HANDLE BAR 615	





	300 TRENDY	MANUBRIO (310)		DALLA MACCHINA FROM THE MACHINE DE LA MACHINE DE LA MAQUINA AB DER MASCHINE	Rev.
		HANDLEBAR MANILLAR	MANCHERON LENKER		I01
				★ N.	794196
				06/2007	



FERRARI Motor mowers, FERRARI 2-wheel tractors - 310 TRENDY
I01_1_60774 - HANDLEBAR

Pos.	Id	Q.ty	Description	Note
30010103	30010103	1	SILENT-BLOCK 10,2X30X45X60,5	
31111086	31111086	1	SCREW TE M4X25 UNI 5739 8G	
31111097	31111097	1	SCREW TE M6X45 UNI 5737 8G	
31112089	31112089	1	SCREW TE M6X25 UNI 5739 8G	
31112153	31112153	1	SCREW TE M8X35 UNI 5739 8G	
31112217	31112217	1	SCREW TE M10X80 UNI 5737	
31211040	31211040	1	NUT M4	
31211080	31211080	1	NUT M8	
31241060	31241060	1	HEXAGON SELFLOCK NUT M6	
31241080	31241080	1	HEXAGON SELFLOCK NUT M8	
31241100	31241100	1	SELFLOCK HEXAGON NUT M10	
31411043	31411043	1	WASHER 4,3X9	
31411064	31411064	1	WASHER 6,4x12,5	
31423043	31423043	1	SPRING WASHER 4,3	
31423084	31423084	1	SPRING WASHER 8,4	
31423105	31423105	1	SPRING WASHER 10,5	
55243340	55243340	1	SUPPORT	
55248041	55248041	1	LEVER	
56147655	56147655	1	CLUTCH LEVER	
56147711	56147711	1	PIN	
56148037	56148037	1	LEVER STOP	
56150361	56150361	1	SPACER	
58002429	58002429	1	CLAMPING SCREW	
58002538	58002538	1	ACCELERATOR	
58042167	58042167	1	SHEATH END	
58042202	58042202	1	ADJUSTING SCREW M8	
58047629	58047629	1	LINE AND SHEATH (L=1350)	
58047712	58047712	1	SPRING	
58048000	58048000	1	KNOB D=27	



FERRARI Motor mowers, FERRARI 2-wheel tractors - 310 TRENDY

I01_1_60774 - HANDLEBAR

13/04/2021

Page 35 / 52

Pos.	Id	Q.ty	Description	Note
58048009	58048009	1	ENGINE STOP SWITCH	
58048012	58048012	1	LINE AND SHEATH (L=2020)	
58051670	58051670	1	CLEVIS	
58056154	58056154	1	RESTORING SPRING	
58056155	58056155	1	RESTORING SPRING	
58056593	58056593	1	SPRING	
58057401	58057401	1	WIRING	
58057419	58057419	1	WIRING MC L=700	
58147704	58147704	1	ADJUSTING SCREW	
58150313	58150313	1	CABLE CLAMP	
58156156	58156156	1	TERMINAL	
59047709	59047709	1	SWITCH SUPPORT	
59057112	59057112	1	COMPLETE HANDLE BAR	

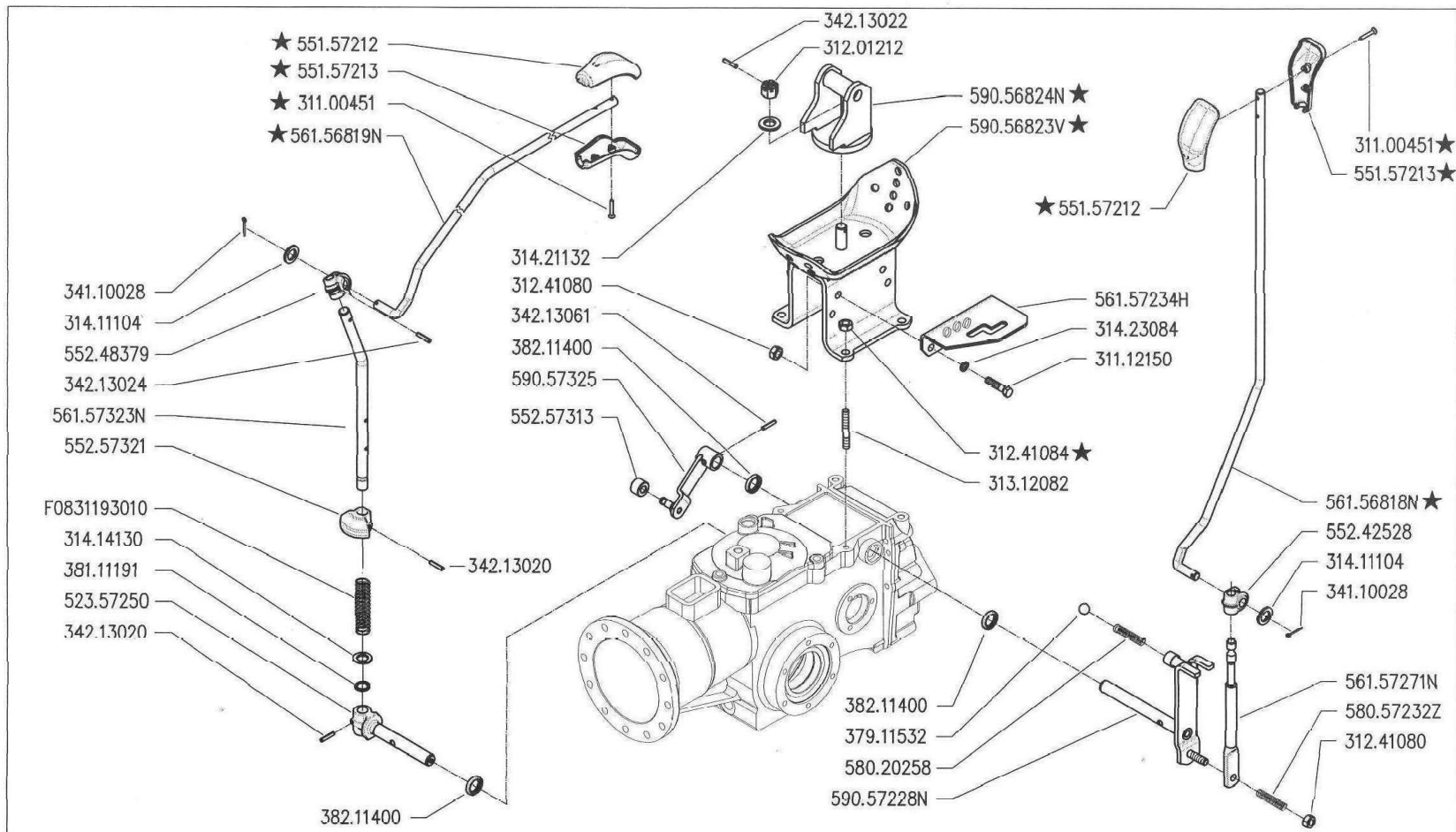


FERRARI Motor mowers, FERRARI 2-wheel tractors - 310 TRENDY

I01_1_60774 - HANDLEBAR

13/04/2021

Page 36 / 52



	300 TRENDY	CONTROLS MANDOS	COMANDI (310)	COMMANDES ANTRIEBE	DALLA MACCHINA DE LA MAQUINA FROM THE MACHINE AB DER MASCHINE	N.	Rev.
						864056	J01 1 09/2010



FERRARI Motor mowers, FERRARI 2-wheel tractors - 310 TRENDY
J.01.01.A0027_01 - CONTROLS

Pos.	Id	Q.ty	Description	Note
1	31241080		HEXAGON SELFLOCK NUT M8	
2	58057232Z		SPRING	
3	56157271N		COMMAND LEVER	
4	34110028		SPLIT PIN A3X15 UNI 1336	
5	31411104		WASHER 10,5x18	
6	55242528		JOINT	
7	56156818N		PULL ROD	
8	55157213		GRIP	
9	31100451		SCREW 3,5X25	
10	55157212		GRIP	
11	59057228N		GEAR LEVER	
12	58020258		GEAR RATIO TWITCH SPRING	
13	37911532		BALL 15/32	
14	38211400		OIL SEAL 14X22X4	
15	31312082		STUD BOLT M8X38X14X20	
16	31241084		SELFLOCK NUT M8 6S	
17	31112150		SCREW TE M8X20 UNI 5739 8G	
18	31423084		SPRING WASHER 8,4	
19	56157234H		GEAR SELECTOR	
20	59056823V		SUMP	
21	59056824N		SUPPORT	
22	55257313		ROLLER	
23	59057325		LEVER	
24	34213061		ROLL PIN	
25	31421132		WASHER 13X24X2,8	
26	56156819N		PULL ROD	
27	34213020		ROLL PIN	
28	52357250		PIN	
29	38111191		O-RING 115 (11,91X2,62)	



FERRARI Motor mowers, FERRARI 2-wheel tractors - 310 TRENDY

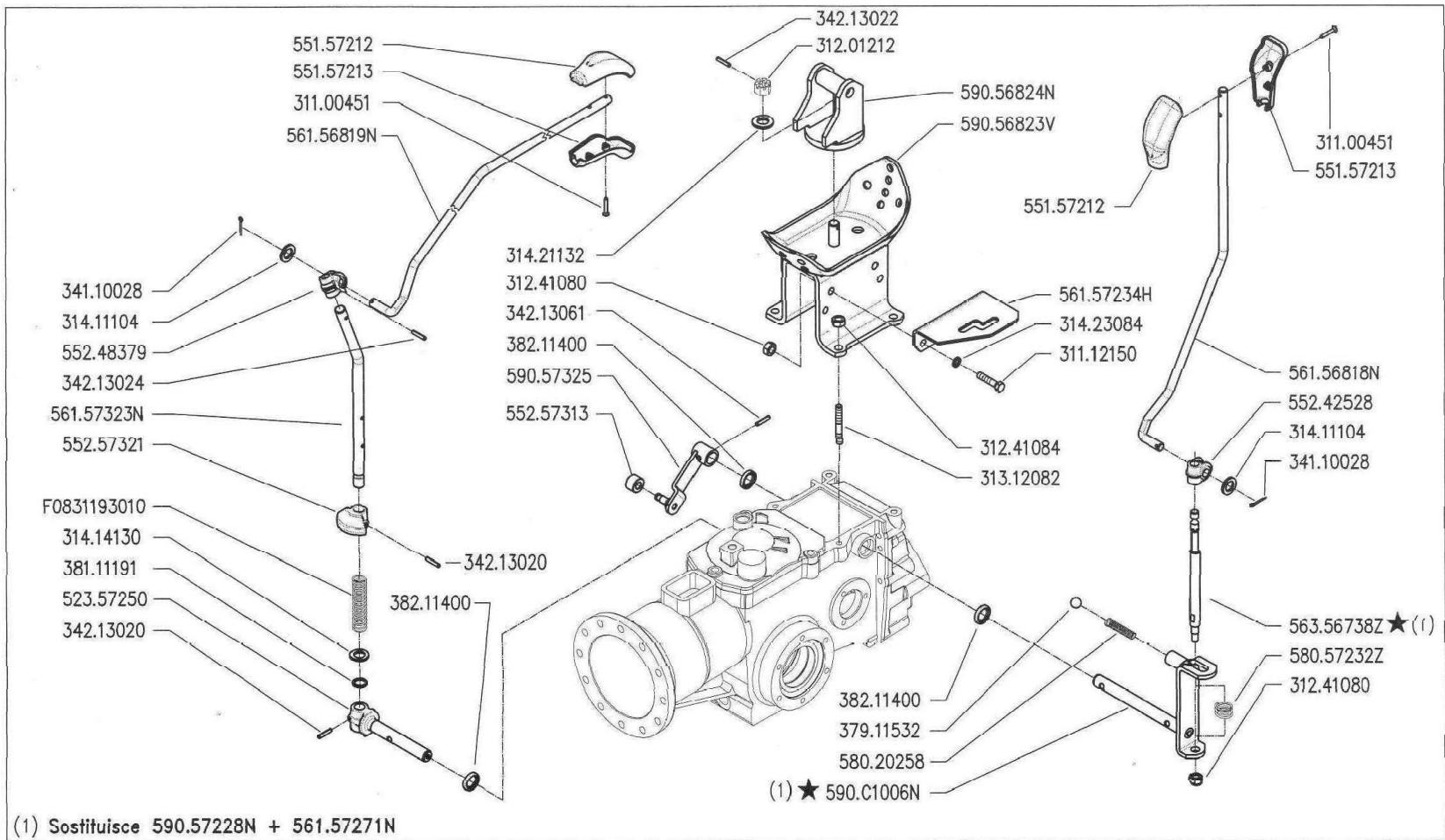
J.01.01.A0027_01 - CONTROLS

13/04/2021

Page 38 / 52

Pos.	Id	Q.ty	Description	Note
30	31414130		WASHER 13	
31	F0831193010		SPRING DM.15X70	
32	55257321		STOP	
33	56157323N		PTO LEVER	
34	34213024		ROLL PIN	
35	55248379		PTO JOINT	
36	31201212		NUT M12 UNI 5593 6S	
37	34213022		ROLL PIN	





	300 TRENDY	CONTROLS MANDOS	COMANDI (310)	COMMANDES ANTRIEBE	DALLA MACCHINA DE LA MACHINA FROM THE MACHINE AB DER MASCHINE	<input type="text"/>	J01	Rev. 2
						N. 959257		



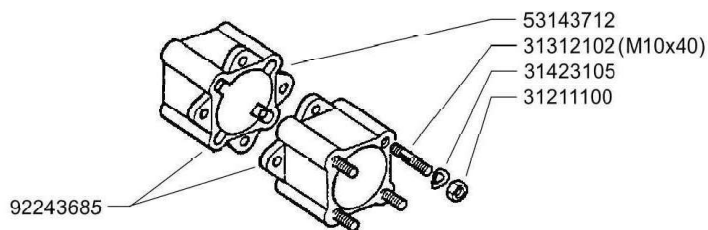
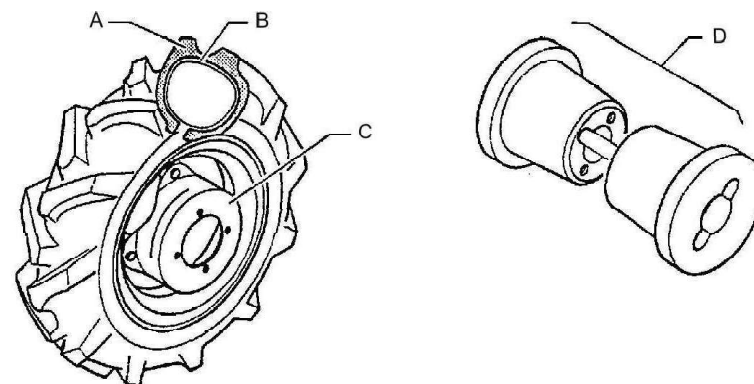
Pos.	Id	Q.ty	Description	Note
1	31241080		HEXAGON SELFLOCK NUT M8	
2	58057232Z		SPRING	
3	56356738Z		COMMAND LEVER	REPLACES 59057228N + 56157271N
4	34110028		SPLIT PIN A3X15 UNI 1336	
5	31411104		WASHER 10,5x18	
6	55242528		JOINT	
7	56156818N		PULL ROD	
8	55157213		GRIP	
9	31100451		SCREW 3,5X25	
10	55157212		GRIP	
11	590C1006N		COMPLETE GEAR LEVER MC710	REPLACES 59057228N + 56157271N
12	58020258		GEAR RATIO TWITCH SPRING	
13	37911532		BALL 15/32	
14	38211400		OIL SEAL 14X22X4	
15	31312082		STUD BOLT M8X38X14X20	
16	31241084		SELFLOCK NUT M8 6S	
17	31112150		SCREW TE M8X20 UNI 5739 8G	
18	31423084		SPRING WASHER 8,4	
19	56157234H		GEAR SELECTOR	
20	59056823V		SUMP	
21	59056824N		SUPPORT	
22	31201212		NUT M12 UNI 5593 6S	
23	34213022		ROLL PIN	
24	34213020		ROLL PIN	
25	55257313		ROLLER	
26	59057325		LEVER	
27	34213061		ROLL PIN	
28	31421132		WASHER 13X24X2,8	
29	52357250		PIN	



Pos.	Id	Q.ty	Description	Note
30	38111191		O-RING 115 (11,91X2,62)	
31	31414130		WASHER 13	
32	F0831193010		SPRING DM.15X70	
33	55257321		STOP	
34	56157323Z		PTO LEVER	
35	34213024		ROLL PIN	
36	55248379		PTO JOINT	
37	56156819N		PULL ROD	



	A	B	C	D	
0	3.50 - 8"	39113502	39413502	58052326	92243686 (Kg.10)
0	4.00 - 8"	39114008	39414008	58052326	92243686 (Kg.10)
0	4.0 - 10"	39114010	39414010	58052288 (FIX)	/
0	4.0 - 10"	39114010	39414010	58052327	92248715 (Kg.15)
0	5.0 - 10"	39115010	39415010	58052288 (FIX)	/
0	5.0 - 10"	39115010	39415010	58052327	92248715 (Kg.15)
0	5.00 - 12"	39115012	39415012	58052328	92248720 (Kg.34)
0	6,5/80 - 12"	39116018	39416018	58052328	92480721 (Kg.34)



FERRARI	300 TRENDY	RUOTE		DALLA MACCHINA FROM THE MACHINE DE LA MACHINE DE LA MAQUINA AB DER MASCHINE	AGGIORNAMENTO	K01	Rev.
		WHEELS	ROUES		REVISION		1
		RUEDAS	RÄDER	ON.	MISE A JOUR	10/2008	
					ANPASSUNG		



FERRARI Motor mowers, FERRARI 2-wheel tractors - 310 TRENDY

K01_1_60913 - WHEELS

13/04/2021

Page 43 / 52

Pos.	Id	Q.ty	Description	Note
31211100	31211100	1	NUT M10	
31312102	31312102	1	STUD BOLT M10X40X24X12	
31423105	31423105	1	SPRING WASHER 10,5	
39113502	39113502	1	TYRE 3.50-8 2PR	
39114008	39114008	1	TYRE 4.00-8 2PR	
39114010	39114010	1	TYRE 4.0-10 2PR	
39115010	39115010	1	TYRE 5.00-10 2PR	
39115012	39115012	1	TYRE 5.00-12 2PR	
39116018	39116018	1	TYRE 6.5/80-12 2PR	
39413502	39413502	1	INNER TUBE X 3.50-8	
39414008	39414008	1	INNER TUBE X 4.00-8	
39414010	39414010	1	INNER TUBE x 4.0-10	
39415010	39415010	1	INNER TUBE X 4.0/5.0-10	
39415012	39415012	1	INNER TUBE	
39416018	39416018	1	INNER TUBE X 6-5/80-12	
53143712	53143712	1	SPACER	
58052288	58052288	1	RIM 3.50 D10 C/F 1003	
58052326	58052326	1	RIM	
58052327	58052327	1	RIM	
58052328	58052328	1	RIM 5JA12 RAL 1003	
92243685	92243685	1	WHEEL SPACERS CM 6 (PAIR)	
92243686	92243686	1	PAIR OF WEIGHTS FOR 8 WHEELS 11 KGS	
92248715	92248715	1	WEIGHTS FOR WHEELS 10 EACH KG 15 (PAIR)	
92248720	92248720	1	WEIGHTS FOR WHEELS 12 KG 34 EACH (PAIR)	
92480721	92480721	1	WEIGHTS KG. 34 FOR WHEELS 5.00-12 / 6.5/80-12 (PAIR) (0901012307)	



FERRARI Motor mowers, FERRARI 2-wheel tractors - 310 TRENDY

K01_1_60913 - WHEELS

13/04/2021

Page 44 / 52

1 310

2 320

3 330

4 340

5 

6 

7 

8 

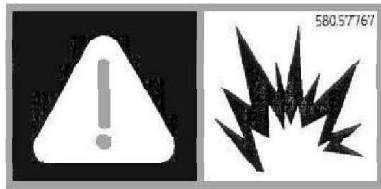


i = info - stop 2 sec. ★ = new part

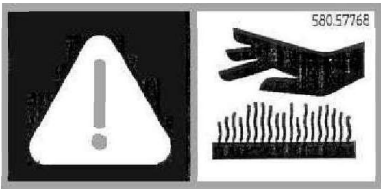


Pos.	Id	Q.ty	Description	Note
1	58052178		DECAL 310 /11	
2	58052179		DECAL 320 /11	
3	58052180		DECAL 330 /11	
4	58052181		DECAL 340 /11	
5	58052019		DECAL	
6	58052029		DECAL	
7	58052045		DECAL TRENDY	
8	58052046		DECAL	

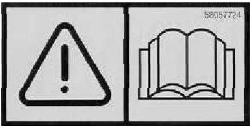




58057767



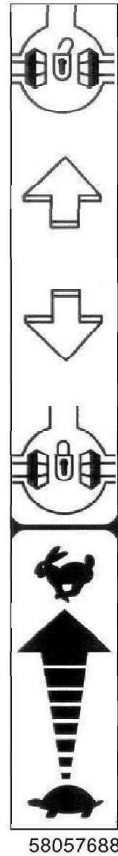
58057768



58057724



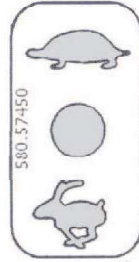
58057770



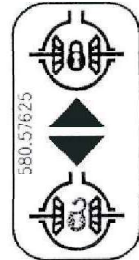
58057688



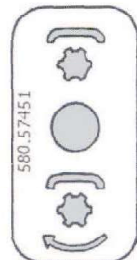
58057746 0



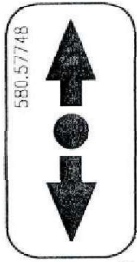
58057450 0



58057625 0



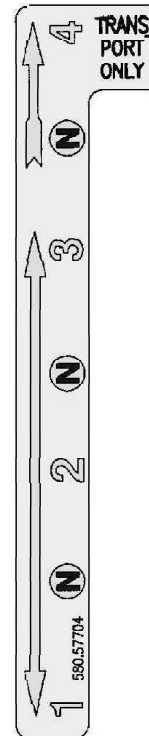
58057451 0



58057748 0



58093089 0



58057704 0



58057676



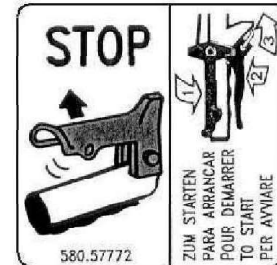
58057678



58057677



58046912



58057772

FERRARI

300 TRENDY

ADESIVE

STICKERS
ADHESIVOS

AUTOCOLLANTS
AUFKLEBES

DALLA MACCHINA
FROM THE MACHINE
DE LA MACHINE
DE LA MAQUINA
AB DER MASCHINE

0 N.

AGGIORNAMENTO
REVISION
MISE A JOUR
APLAZAMIENTO
ANPAßUNG

M01 1
10/2008

Rev.

REV.

FERRARI

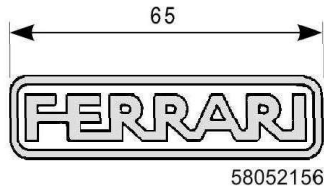
FERRARI Motor mowers, FERRARI 2-wheel tractors - 310 TRENDY
M01_1_60965 - STICKERS

Pos.	Id	Q.ty	Description	Note
58046912	58046912	1	DECAL	
58057450	58057450	1	DECAL	
58057451	58057451	1	DECAL	
58057625	58057625	1	DECAL	
58057676	58057676	1	DECAL	
58057677	58057677	1	DECAL	
58057678	58057678	1	DECAL	
58057688	58057688	1	DECAL	
58057704	58057704	1	DECAL	
58057724	58057724	1	DECAL	
58057746	58057746	1	DECAL	
58057748	58057748	1	DECAL	
58057767	58057767	1	DECAL	
58057768	58057768	1	DECAL	
58057770	58057770	1	DECAL	
58057772	58057772	1	DECAL	
58093089	58093089	1	DECAL	



FERRARI Motor mowers, FERRARI 2-wheel tractors - 310 TRENDY

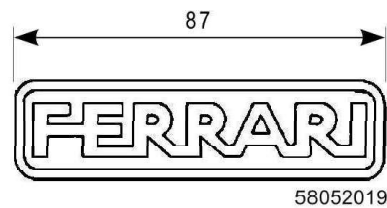
M01_1_60965 - STICKERS



310
58052037

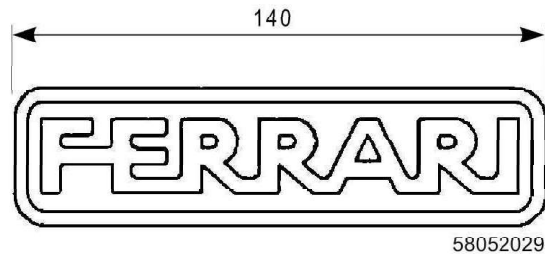
320
58052026

330
58052039



340
58052047 0

TRENDY
58052045



TRENDY
58052046

FERRARI	300 TRENDY	ADESMI STICKERS ADHESIVOS AUTOCOLLANTS AUFKLEBES	DALLA MACCHINA FROM THE MACHINE DE LA MACHINE DE LA MAQUINA AB DER MASCHINE 0.N.	AGGIORNAMENTO	M02	Rev.
				REVISION		1
				MISE A JOUR	10/2008	
				ANPAZAMIENTO		



Pos.	Id	Q.ty	Description	Note
58052019	58052019	1	DECAL	
58052026	58052026	1	DECAL 320 DX	
58052029	58052029	1	DECAL	
58052037	58052037	1	DECAL 310 TRENDY	
58052039	58052039	1	DECAL 330 TRENDY	
58052045	58052045	1	DECAL TRENDY	
58052046	58052046	1	DECAL	
58052047	58052047	1	DECAL 340 TRENDY	
58052156	58052156	1	DECAL	



FERRARI Motor mowers, FERRARI 2-wheel tractors - 310 TRENDY

M02_1_60983 - STICKERS