



**FERRARI Motor mowers, FERRARI 2-wheel tractors**

**320 TRENDY**

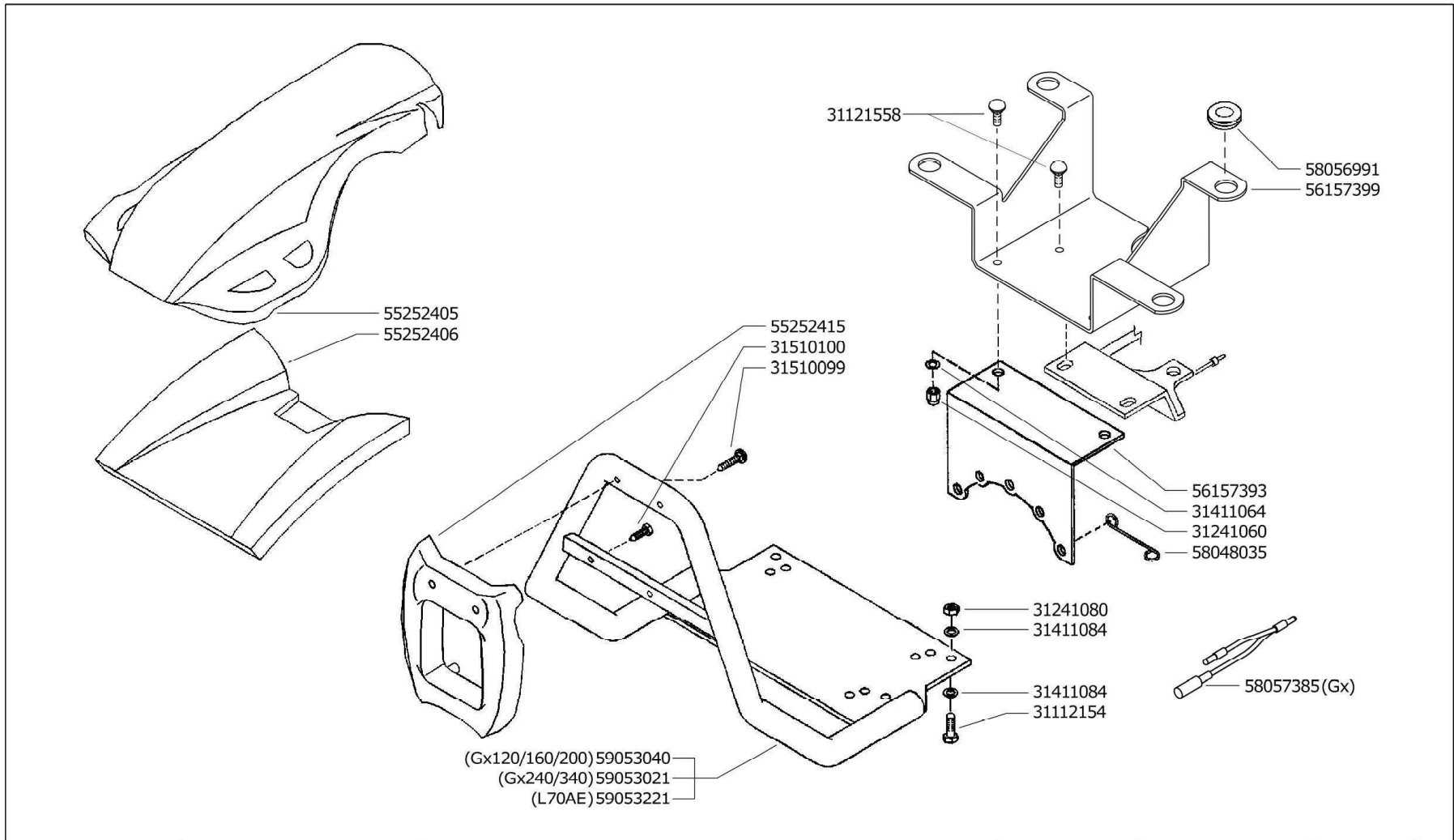
13/04/2021

A30006 - 320 TRENDY.....	4
C01_0_27103 - ENGINE PROTECTIONS.....	6
C01_1_60543 - ENGINE PROTECTIONS.....	8
C01_2_60545 - ENGINE PROTECTIONS.....	10
C01_3_60548 - ENGINE PROTECTIONS.....	12
C.01.01.A0027_04 - ENGINE PROTECTIONS.....	14
D01_0_27123 - CLUTCH.....	16
D01_1_33518 - CLUTCH.....	18
D01_2_60564 - CLUTCH.....	20
D.01.02.A0027_03 - CLUTCH.....	22
E01_0_27146 - GEARBOX.....	24
E.01.01.A0027_01 - GEARBOX.....	27
F02_0_27212 - GEARS.....	29
F.02.02.A0027_01 - GEARS.....	32
F.02.02.A0027_02 - GEARS.....	35
F.02.02.A0027_03 - GEARS.....	38
G01_0_27251 - WHEEL AXLE.....	41
H02_0_27310 - STEERING COLUMN.....	43
G.01.02.A0027_01 - WHEEL AXLE.....	46
H02_1_60701 - STEERING COLUMN.....	48
H.02.01.A0027_02 - STEERING COLUMN.....	51
H.02.01.A0027_03 - STEERING COLUMN.....	54
I02_0_27387 - HANDLEBAR.....	57
I02_1_45506 - HANDLEBAR.....	60
I.02.01.A0027_02 - HANDLEBAR.....	63
J02_0_27474 - CONTROLS.....	65
J.02.01.A0027_01 - CONTROLS.....	68
J.04.01.A0027_00 - HANDLEBAR CONTROLS.....	71
K01_0_27513 - WHEELS.....	73



K01_1_60913 - WHEELS.....	75
L01_0_27535 - ELECTRIC STARTER.....	77
L01_1_33613 - ELECTRIC STARTER.....	79
L01_2_60940 - ELECTRIC STARTER.....	81
M01_0_27555 - STICKERS.....	83
M01_1_60965 - STICKERS.....	85
M02_0_27566 - STICKERS.....	87
M02_1_60983 - STICKERS.....	89
M.02.02.A0027_02 - STICKERS.....	91
S.01.01.A0027_00 - ENGINE COVER KIT.....	93



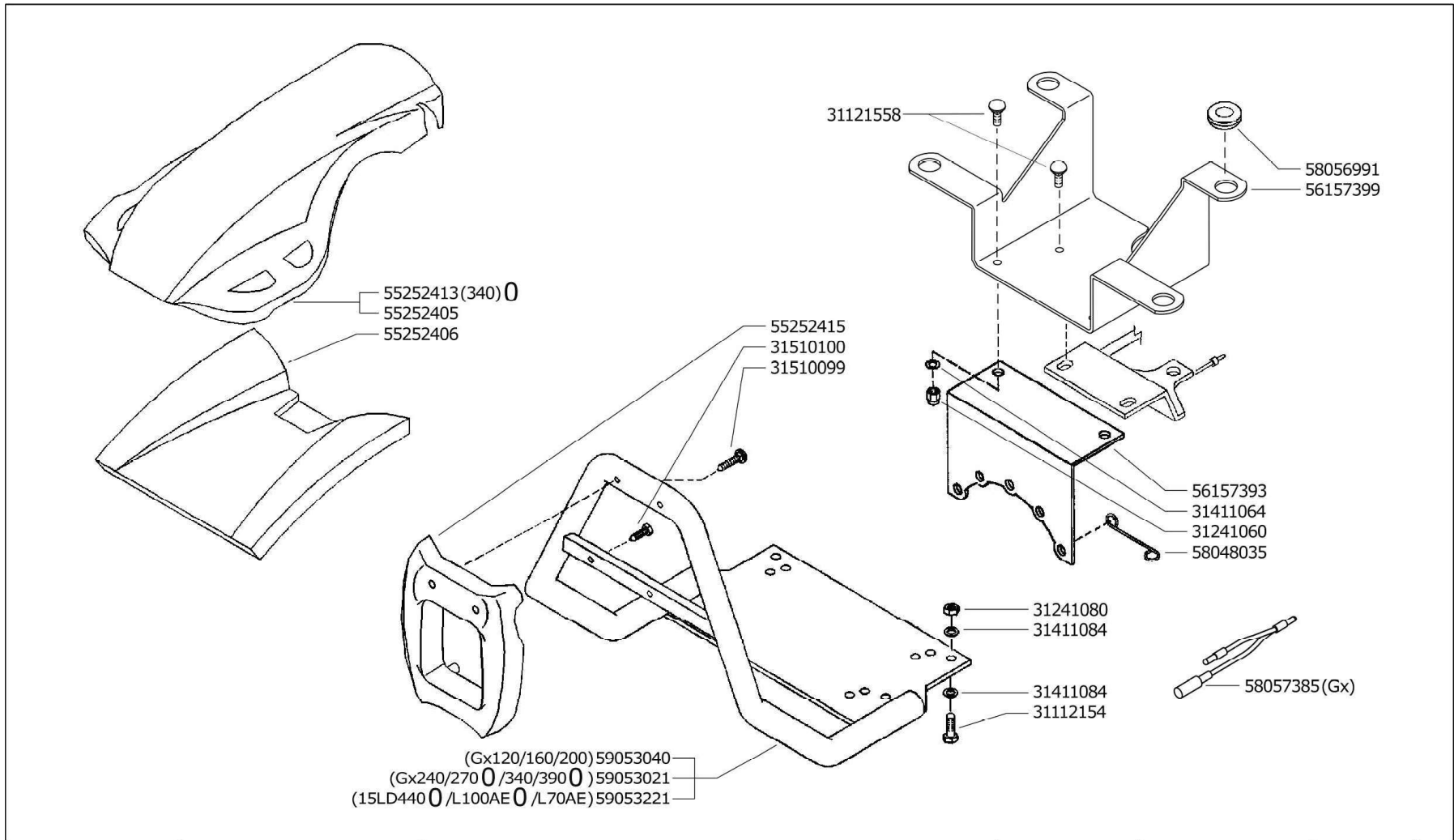


	<b>300 TRENDY</b>	<b>PROTEZIONI MOTORE</b>		DALLA MACCHINA FROM THE MACHINE DE LA MACHINE DE LA MAQUINA AB DER MASCHINE	Rev.
		ENGINE PROTECTIONS PROTECCIONES MOTOR	PROTECTIONS MOTEUR MOTORSCHUTZ		N.



Pos.	Id	Q.ty	Description	Note
31112154	31112154	1	SCREW TE M8X40 UNI 5739 8G	
31121558	31121558	1	SCREW TTQ M6X16 UNI 5731	
31241060	31241060	1	HEXAGON SELFLOCK NUT M6	
31241080	31241080	1	HEXAGON SELFLOCK NUT M8	
31411064	31411064	1	WASHER 6,4x12,5	
31411084	31411084	1	WASHER 8,4x17	
31510099	31510099	1	RIBBED SCREW 6,3X38 UNI 6950	
31510100	31510100	1	RIBBED SCREW 6,3X19 UNI 6950	
55252405	55252405	1	GUARD	
55252406	55252406	1	GUARD BATTERY BOX	
55252415	55252415	1	GUARD	
56157393	56157393	1	HOLDER	
56157399	56157399	1	HOLDER	
58048035	58048035	1	HOLDER	
58056991	58056991	1	CABLE GLAND 90/200/30	
58057385	58057385	1	LINE	
59053021	59053021	1	COMPLETE BUMPERS	
59053040	59053040	1	COMPLETE BUMPERS	
59053221	59053221	1	COMPLETE BUMPERS	



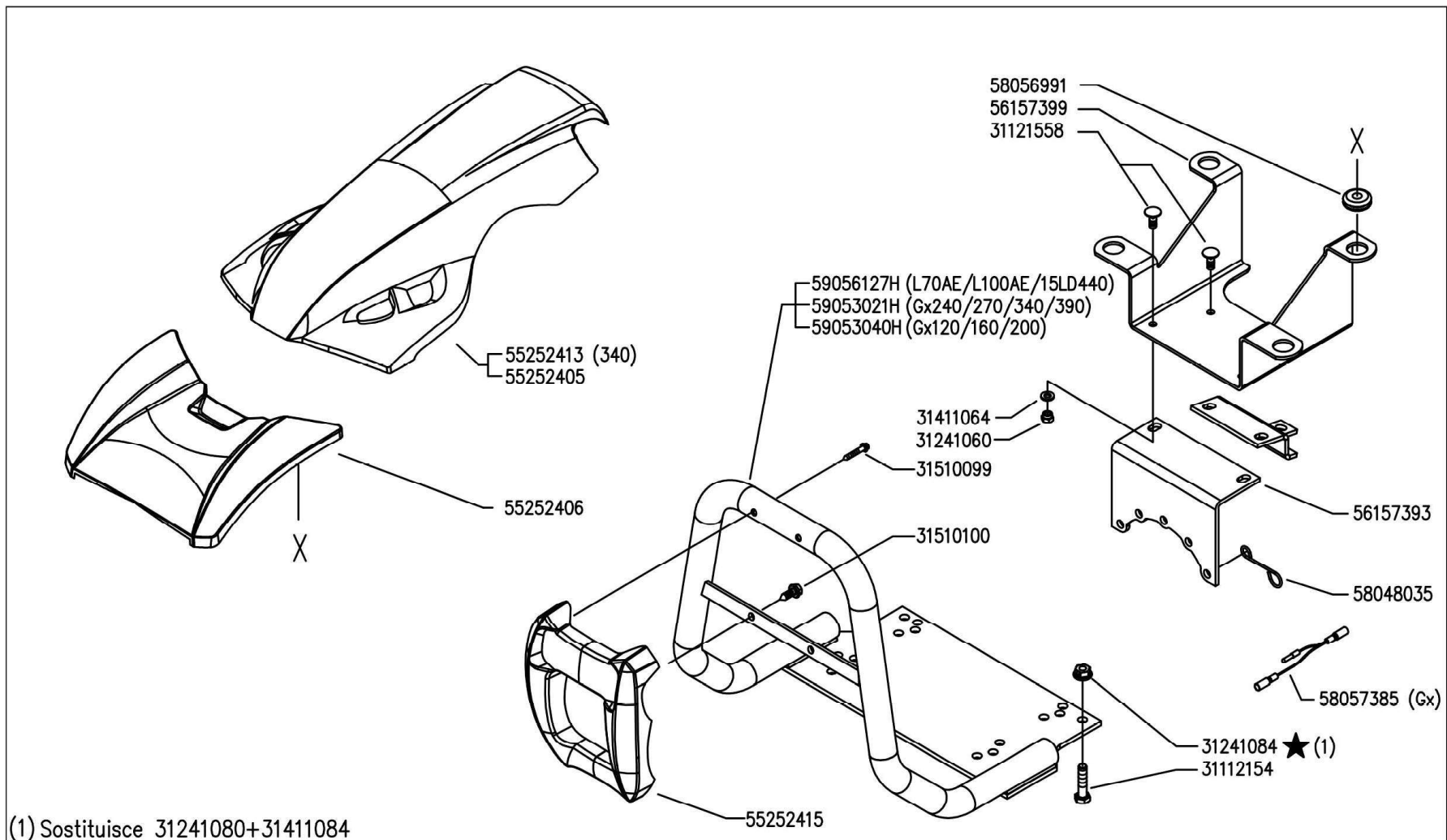


	<b>300 TRENDY</b>	<b>PROTEZIONI MOTORE</b>		DALLA MACCHINA FROM THE MACHINE DE LA MACHINE DE LA MAQUINA AB DER MASCHINE  <b>0 N.</b>	AGGIORNAMENTO	<b>C01</b>	Rev.
		ENGINE PROTECTIONS PROTECCIONES MOTOR	PROTECTIONS MOTEUR MOTORSCHUTZ		REVISION MISE A JOUR APLAZAMIENTO ANPASSUNG		<b>1</b>
					<b>10/2008</b>		ZBVE



Pos.	Id	Q.ty	Description	Note
31112154	31112154	1	SCREW TE M8X40 UNI 5739 8G	
31121558	31121558	1	SCREW TTQ M6X16 UNI 5731	
31241060	31241060	1	HEXAGON SELFLOCK NUT M6	
31241080	31241080	1	HEXAGON SELFLOCK NUT M8	
31411064	31411064	1	WASHER 6,4x12,5	
31411084	31411084	1	WASHER 8,4x17	
31510099	31510099	1	RIBBED SCREW 6,3X38 UNI 6950	
31510100	31510100	1	RIBBED SCREW 6,3X19 UNI 6950	
55252405	55252405	1	GUARD	
55252406	55252406	1	GUARD BATTERY BOX	
55252413	55252413	1	GUARD	
55252415	55252415	1	GUARD	
56157393	56157393	1	HOLDER	
56157399	56157399	1	HOLDER	
58048035	58048035	1	HOLDER	
58056991	58056991	1	CABLE GLAND 90/200/30	
58057385	58057385	1	LINE	
59053021	59053021	1	COMPLETE BUMPERS	
59053040	59053040	1	COMPLETE BUMPERS	
59053221	59053221	1	COMPLETE BUMPERS	





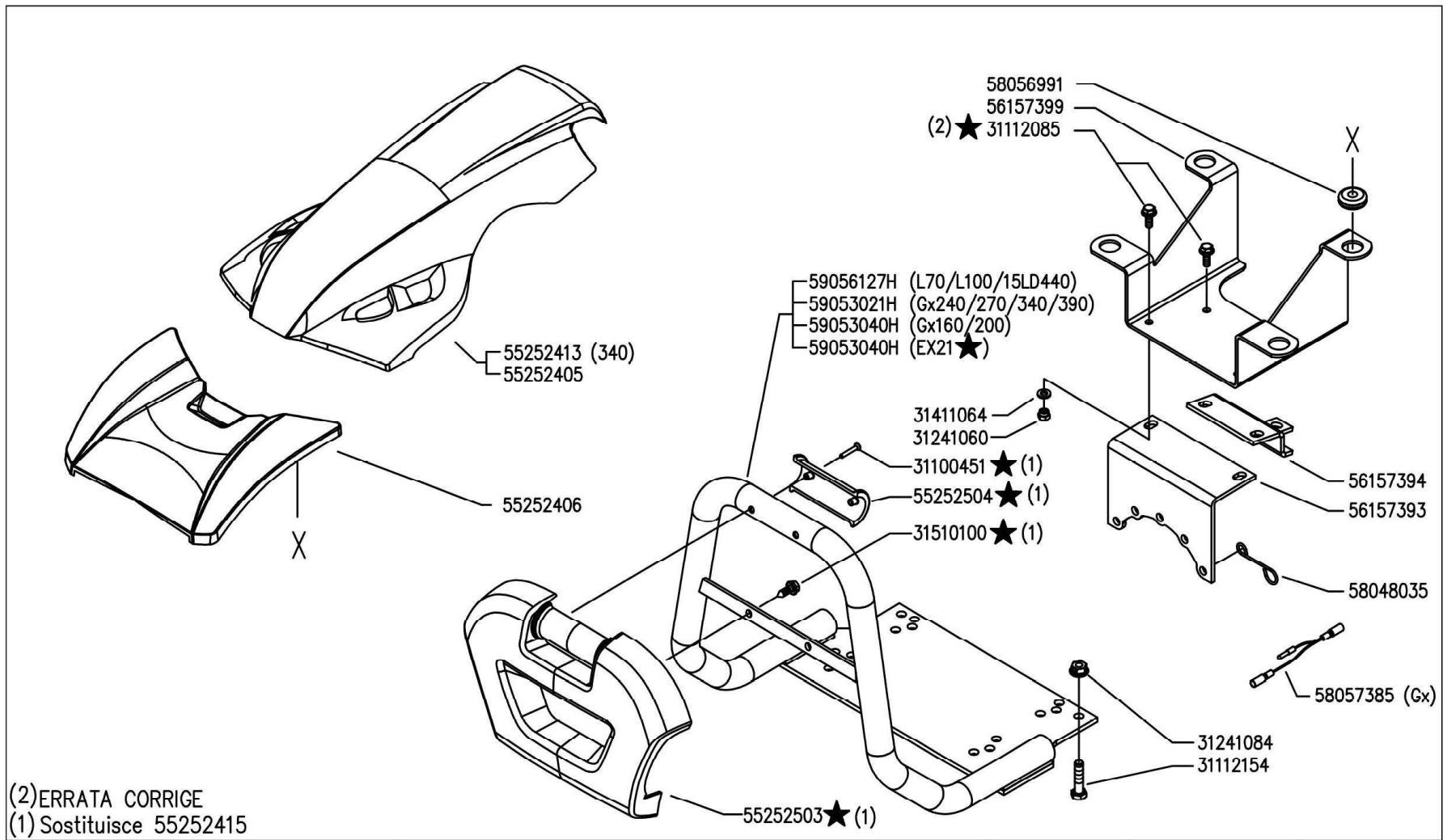
	<h1>300 TRENDY</h1>	<b>PROTEZIONI MOTORE</b>		DALLA MACCHINA DE LA MACHINA DE LA MACHINA FROM THE MACHINE AB DER MASCHINE	<b>AGGIORNAMENTO</b>	<div style="font-size: 2em; font-weight: bold;">C01</div> <div style="font-size: 1.5em; font-weight: bold;">2</div>	Rev.
		ENGINE PROTECTIONS	PROTECTIONS MOTEUR		<b>APLAZAMIENTO</b>		
		PROTECCIONES MOTOR	MOTORSCHUTZ		<b>MISE A JOUR</b>		
					<b>REVISION</b>		
					<b>ANPASSUNG</b>		





Pos.	Id	Q.ty	Description	Note
59053021R	59053021H	1	BUMPER C.15LD-ACT-GX ALUM.	
59056127R	59056127H	1	BUMPER FOR 740	
59053040R	59053040H	1	ALU COMPLETE BUMPER GX160-200	
31112154	31112154	1	SCREW TE M8X40 UNI 5739 8G	
31121558	31121558	1	SCREW TTQ M6X16 UNI 5731	
31241060	31241060	1	HEXAGON SELFLOCK NUT M6	
31241084	31241084	1	SELFLOCK NUT M8 6S	
31411064	31411064	1	WASHER 6,4x12,5	
31510099	31510099	1	RIBBED SCREW 6,3X38 UNI 6950	
31510100	31510100	1	RIBBED SCREW 6,3X19 UNI 6950	
55252405	55252405	1	GUARD	
55252406	55252406	1	GUARD BATTERY BOX	
55252413	55252413	1	GUARD	
55252415	55252415	1	GUARD	
56157393	56157393	1	HOLDER	
56157399	56157399	1	HOLDER	
58048035	58048035	1	HOLDER	
58056991	58056991	1	CABLE GLAND 90/200/30	
58057385	58057385	1	LINE	





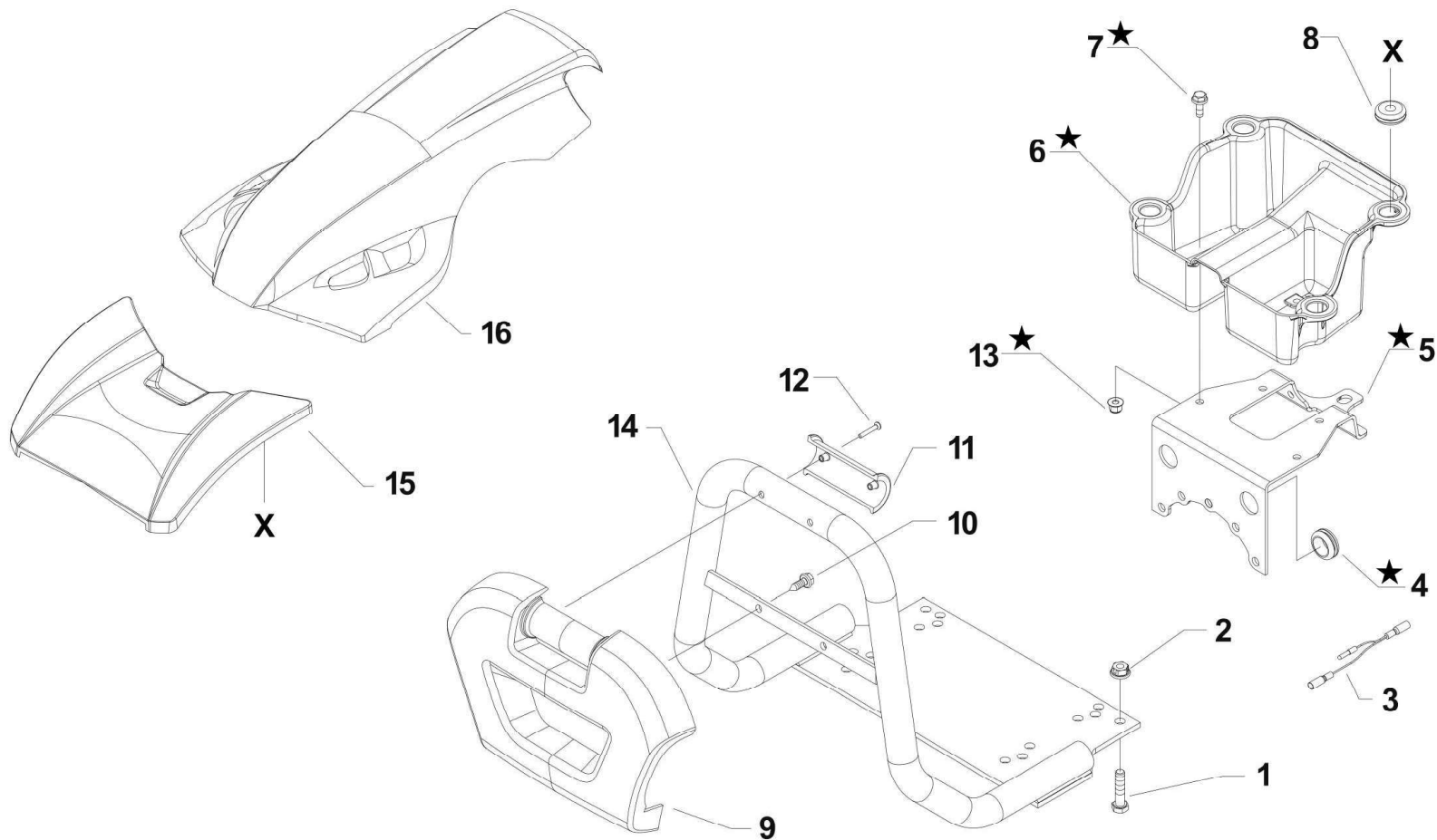
	<b>300 TRENDY</b>	<b>PROTEZIONI MOTORE</b>		DALLA MACCHINA DE LA MACCHINA FROM THE MACHINE AB DER MASCHINE	N. 857706	C01	Rev.
		ENGINE PROTECTIONS PROTECCIONES MOTOR	PROTECTIONS MOTEUR MOTORSCHUTZ				3
						03/2011	



FERRARI Motor mowers, FERRARI 2-wheel tractors - 320 TRENDY  
C01\_3\_60548 - ENGINE PROTECTIONS

Pos.	Id	Q.ty	Description	Note
55252503	55252503	1	FREGIO ANT.MC 2010 FERRARI	
59056127H	59056127H	1	BUMPER FOR 740	
55252504	55252504	1	HALF BEARING	
31100451	31100451	1	SCREW 3,5X25	
56157393	56157393	1	HOLDER	
31112154	31112154	1	SCREW TE M8X40 UNI 5739 8G	
56157394	56157394	1	STOP	
31241084	31241084	1	SELFLOCK NUT M8 6S	
56157399	56157399	1	HOLDER	
31510100	31510100	1	RIBBED SCREW 6,3X19 UNI 6950	
58048035	58048035	1	HOLDER	
55252406	55252406	1	GUARD BATTERY BOX	
31112085	31112085	1	SCREW TE M6X16 DIN 6921 8G	
59053040H	59053040H	1	ALU COMPLETE BUMPER GX160-200	
59053021H	59053021H	1	BUMPER C.15LD-ACT-GX ALUM.	
58057385	58057385	1	LINE	
58056991	58056991	1	CABLE GLAND 90/200/30	
31241060	31241060	1	HEXAGON SELFLOCK NUT M6	
55252413	55252413	1	GUARD	
55252405	55252405	1	GUARD	
31411064	31411064	1	WASHER 6,4x12,5	






**i** = info - stop 2 sec.    ★ = new part



FERRARI Motor mowers, FERRARI 2-wheel tractors - 320 TRENDY  
**C.01.01.A0027\_04 - ENGINE PROTECTIONS**

Pos.	Id	Q.ty	Description	Note
1	31112154		SCREW TE M8X40 UNI 5739 8G	
2	31241084		SELFLOCK NUT M8 6S	
3	58057385		LINE	
4	581C1004		CABLE GLAND	
5	561C1002		HOLDER	REPLACES 56157393
6	552C1001		FAIRINGS BOX	REPLACES 56157399
7	31112081		SCREW TE C/F M6X20 DIN 6921 8G	
8	58056991		CABLE GLAND 90/200/30	
9	55252503		FREGIO ANT.MC 2010 FERRARI	
10	31510100		RIBBED SCREW 6,3X19 UNI 6950	
11	55252504		HALF BEARING	
12	31100451		SCREW 3,5X25	
13	31241066		SELFLOCK M6 FL NY DIN 6926	REPLACES 31241060 + 31411064
14	59053021H		BUMPER C.15LD-ACT-GX ALUM.	GX240/GX270/GX340/GX390
14	59053040H		ALU COMPLETE BUMPER GX160-200	
14	59056127H		BUMPER FOR 740	L70/L100 - 15KD440
15	55252406		GUARD BATTERY BOX	
16	55252405		GUARD	
16	55252413		GUARD	340



(HONDA Gx 120/160/200) (5/16x7/8) 31100003  
 (HONDA Gx240/340) (3/8x1") 31100015

HONDA Gx120/160/200) 31423084  
 31423105

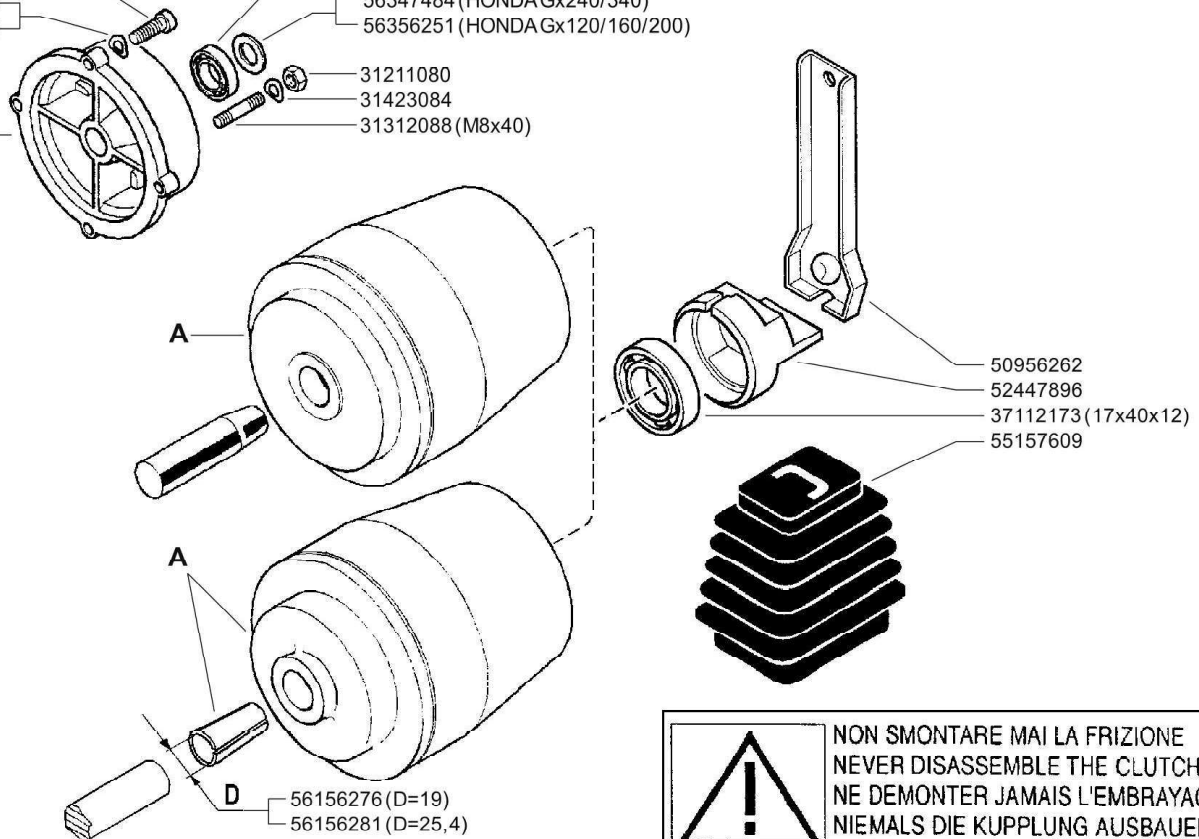
(HONDA Gx120/160/200) 53247488  
 (HONDA Gx240/340) 53156150

37112231 (20x47x14) (HONDA Gx120/160/200)  
 37112233 (30x55x13) (HONDA Gx240/340)

56347484 (HONDA Gx240/340)  
 56356251 (HONDA Gx120/160/200)

31211080  
 31423084  
 31312088 (M8x40)

MOTORE ENGINE MOTEUR MOTOR	FRIZIONE EMBRAGUE EMBRAYAGE KUPPLUNG CLUTCH
Honda Gx120/160/200 (D=19)	59256275
Honda Gx240 (D=25,4)	59256279
Honda Gx340 (D=25,4)	59256280
Yanmar L70AE	59247884



**!** NON SMONTARE MAI LA FRIZIONE  
 NEVER DISASSEMBLE THE CLUTCH  
 NE DEMONTER JAMAIS L'EMBRAYAGE  
 NIEMALS DIE KUPPLUNG AUSBAUEN  
 NO DESMONTAR JAMAS EL EMBRAGUE

**FERRARI** **300 TRENDY**

**FRIZIONE A CONO AUTOVENTILANTE**  
 CLUTCH  
 EMBRAGUE  
 EMBRAYAGE  
 KUPPLUNG

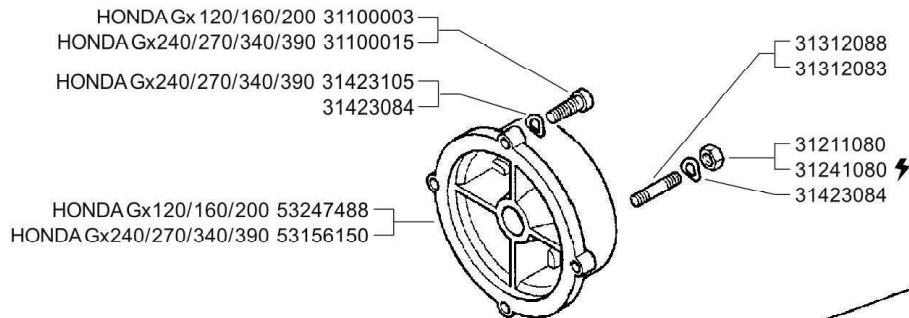
DALLA MACCHINA  
 FROM THE MACHINE  
 DE LA MACHINE  
 DE LA MAQUINA  
 AB DER MASCHINE

Rev. **0**  
**D01**  
 N. **11/2006**

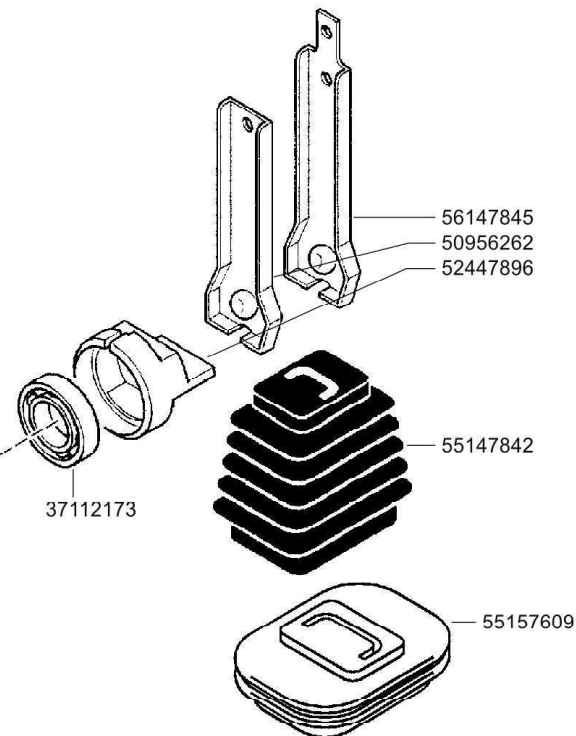
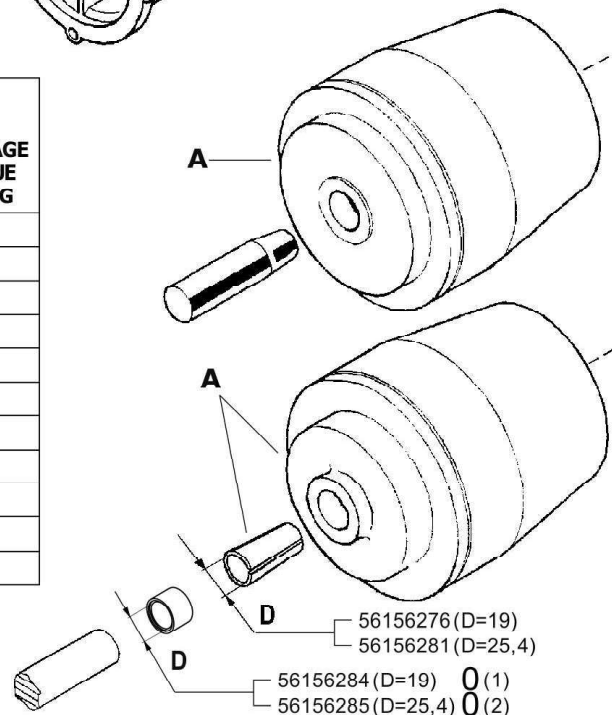


Pos.	Id	Q.ty	Description	Note
31100003	31100003	1	SCREW TE 5/16X7/8	
31100015	31100015	1	SCREW TE 3/8X1	
31211080	31211080	1	NUT M8	
31312088	31312088	1	STUD BOLT M8X40X14X14	
31423084	31423084	1	SPRING WASHER 8,4	
31423105	31423105	1	SPRING WASHER 10,5	
37112173	37112173	1	BEARING 6203 DDU7C3EX26 NSK	
37112231	37112231	1	BEARING 6204-2RS1 C3 SKF	
37112233	37112233	1	BEARING 6006-2RS1 C3 SKF	
50956262	50956262	1	CLUTCH LEVER	
52447896	52447896	1	PRESSURE PLATE	
53156150	53156150	1	ENGINE FLANGE B&S 8HP I/P	
53247488	53247488	1	ENGINE FLANGE H=21	
55157609	55157609	1	BELLOWS	
56156276	56156276	1	SLEEVE D.19	
56156281	56156281	1	CENTRING BUSH D.25,4	
56347484	56347484	1	SHIM	
56356251	56356251	1	SHIM D=19,6	
59247884	59247884	1	CLUTCH ASSY	
59256275	59256275	1	CLUTCH ASSY	
59256279	59256279	1	CLUTCH ASSY	
59256280	59256280	1	CLUTCH ASSY	





MOTORE ENGINE MOTEUR MOTOR	FRIZIONE CLUTCH EMBRAYAGE EMBRAGUE KUPPLUNG
Acme A220	59247884
Acme A220 (REF.)	59256255
Acme ACT280 - A349 - A360	59247884
Acme ACT340	59247971
Honda Gx 390 - Gx 340 D=25,4	59256280
Honda Gx 240/270 D=25,4	59256279
Honda Gx 120/160/200 D=19	59256275
Lombardini 15LD315/350	59247884
Lombardini 15LD500	59247924
Yanmar L100AE	59247971
Yanmar L70AE	59247884



**!** NON SMONTARE MAI LA FRIZIONE  
 NEVER DISASSEMBLE THE CLUTCH  
 NE DEMONTER JAMAIS L'EMBRAYAGE  
 NIEMALS DIE KUPPLUNG AUSBAUEN  
 NO DESMONTAR JAMAS EL EMBRAGUE

<b>FERRARI</b>	<b>300 TRENDY</b>	<b>FRIZIONE A CONO AUTOVENTILANTE</b>		DALLA MACCHINA FROM THE MACHINE DE LA MACHINE DE LA MAQUINA AB DER MASCHINE	Rev. <b>1</b>
		CLUTCH EMBRAGUE	EMBRAYAGE KUPPLUNG		
				<b>0 N.</b>	<b>11/2006</b>



FERRARI Motor mowers, FERRARI 2-wheel tractors - 320 TRENDY  
 D01\_1\_33518 - CLUTCH



Pos.	Id	Q.ty	Description	Note
31100003	31100003	1	SCREW TE 5/16X7/8	
31100015	31100015	1	SCREW TE 3/8X1	
31211080	31211080	1	NUT M8	
31241080	31241080	1	HEXAGON SELFLOCK NUT M8	
31312083	31312083	1	STUD BOLT M8X46X16X16	
31312088	31312088	1	STUD BOLT M8X40X14X14	
31423084	31423084	1	SPRING WASHER 8,4	
31423105	31423105	1	SPRING WASHER 10,5	
37112173	37112173	1	BEARING 6203 DDU7C3EX26 NSK	
50956262	50956262	1	CLUTCH LEVER	
52447896	52447896	1	PRESSURE PLATE	
53156150	53156150	1	ENGINE FLANGE B&S 8HP I/P	
53247488	53247488	1	ENGINE FLANGE H=21	
55147842	55147842	1	BELLOWS	
55157609	55157609	1	BELLOWS	
56147845	56147845	1	CLUTCH LEVER	
56156276	56156276	1	SLEEVE D.19	
56156281	56156281	1	CENTRING BUSH D.25,4	
56156284	56156284	1	SPACER D19	
56156285	56156285	1	SPACER D25	
59247884	59247884	1	CLUTCH ASSY	
59247924	59247924	1	CLUTCH	
59247971	59247971	1	CLUTCH	
59256255	59256255	1	CLUTCH ASSY	
59256275	59256275	1	CLUTCH ASSY	
59256279	59256279	1	CLUTCH ASSY	
59256280	59256280	1	CLUTCH ASSY	



FERRARI Motor mowers, FERRARI 2-wheel tractors - 320 TRENDY

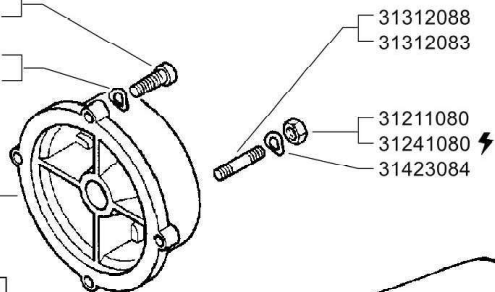
**D01\_1\_33518 - CLUTCH**

13/04/2021

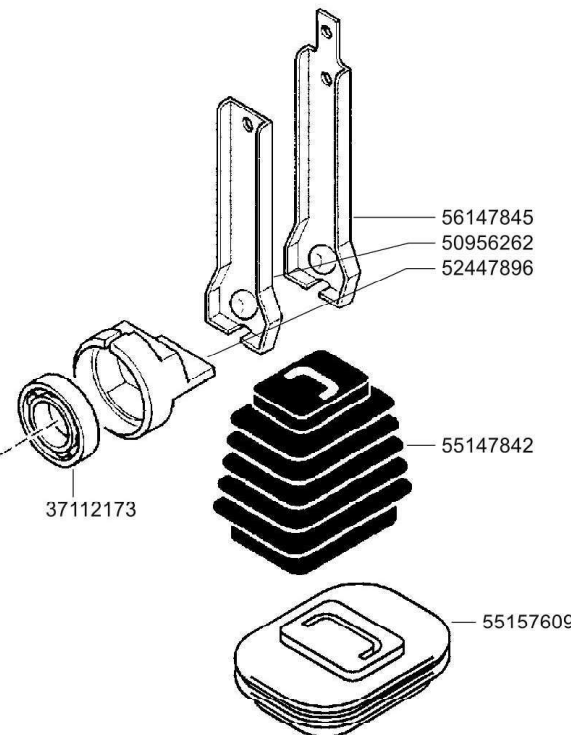
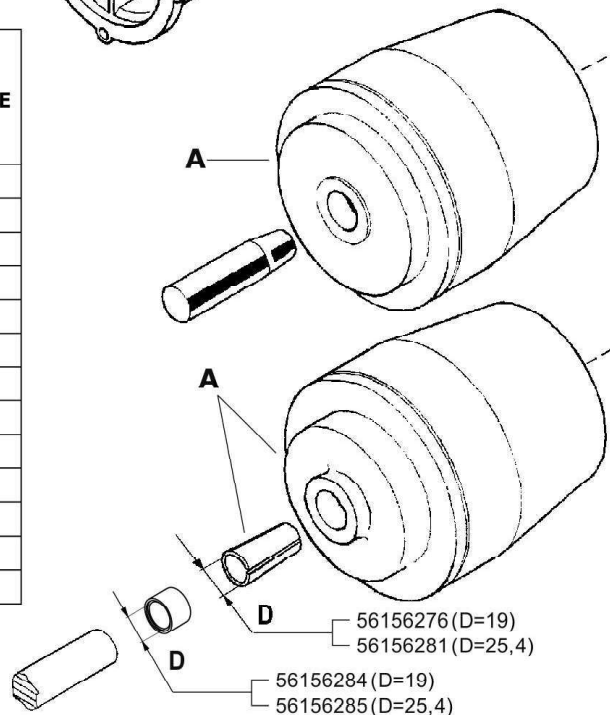
Page 19 / 94

ROBINEX 17 - HONDA Gx 120/160/200 31100003  
 HONDA Gx240/270/340/390 31100015  
 HONDA Gx240/270/340/390 31423105  
 31423084

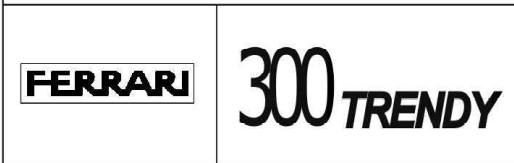
ROBINEX 17 - HONDA Gx120/160/200 53247488  
 HONDA Gx240/270/340/390 53156150



MOTORE ENGINE MOTEUR MOTOR	FRIZIONE CLUTCH A EMBRAYAGE EMBRAGUE KUPPLUNG
Acme A220	59247884
Acme A220 (REF.)	59256255
Acme ACT280 - A349 - A360	59247884
Acme ACT 340	59247971
Honda Gx 390 - Gx 340 D=25,4	59256280
Honda Gx 240/ 270 D=25,4	59256279
Honda Gx120/ 160/ 200 D=19	59256275
Lombardini 15LD315/ 350	59247884
Lombardini 15LD440 $\emptyset$	59247971
Lombardini 15LD500	59247924
ROBINEX 17 $\emptyset$	59256275
Yanmar L100AE	59247971
Yanmar L70AE	59247884



**!** NON SMONTARE MAI LA FRIZIONE  
 NEVER DISASSEMBLE THE CLUTCH  
 NE DEMONTER JAMAIS L'EMBRAYAGE  
 NIEMALS DIE KUPPLUNG AUSBAUEN  
 NO DESMONTAR JAMAS EL EMBRAGUE



**FRIZIONE A CONO AUTOVENTILANTE**

CLUTCH  
 EMBRAGUE

EMBRAYAGE  
 KUPPLUNG

DALLA MACCHINA  
 FROM THE MACHINE  
 DE LA MACHINE  
 DE LA MAQUINA  
 AB DER MASCHINE

**0 N.**

AGGIORNAMENTO
REVISION
MISE A JOUR
APLAZAMIENTO
ANPASSUNG

**D01** 2

**10/2008**

Rev.

2



FERRARI Motor mowers, FERRARI 2-wheel tractors - 320 TRENDY

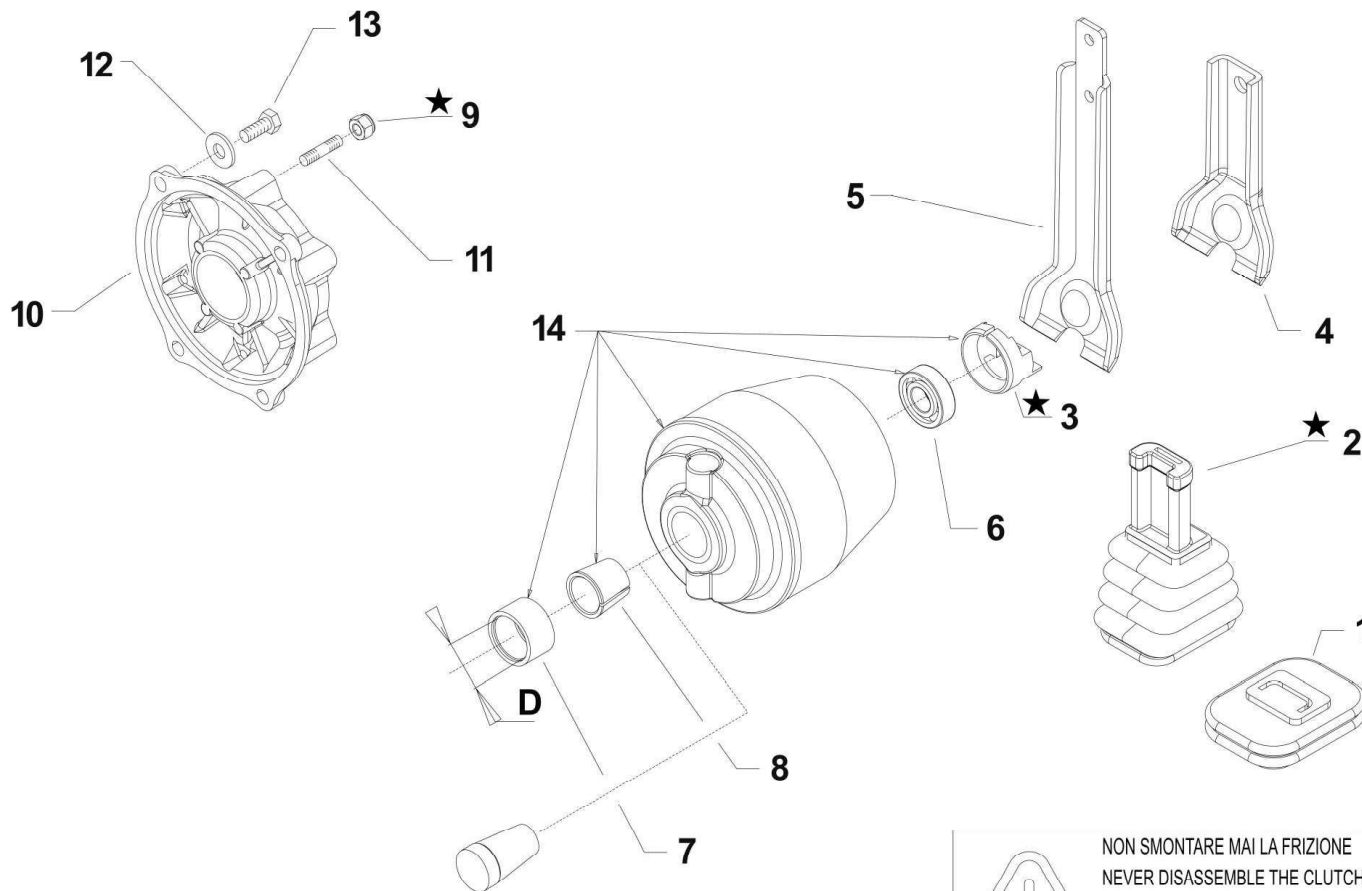
**D01\_2\_60564 - CLUTCH**


13/04/2021

Page 20 / 94

Pos.	Id	Q.ty	Description	Note
31100003	31100003	1	SCREW TE 5/16X7/8	
31100015	31100015	1	SCREW TE 3/8X1	
31211080	31211080	1	NUT M8	
31241080	31241080	1	HEXAGON SELFLOCK NUT M8	
31312083	31312083	1	STUD BOLT M8X46X16X16	
31312088	31312088	1	STUD BOLT M8X40X14X14	
31423084	31423084	1	SPRING WASHER 8,4	
31423105	31423105	1	SPRING WASHER 10,5	
37112173	37112173	1	BEARING 6203 DDU7C3EX26 NSK	
50956262	50956262	1	CLUTCH LEVER	
52447896	52447896	1	PRESSURE PLATE	
53156150	53156150	1	ENGINE FLANGE B&S 8HP I/P	
53247488	53247488	1	ENGINE FLANGE H=21	
55147842	55147842	1	BELLOWS	
55157609	55157609	1	BELLOWS	
56147845	56147845	1	CLUTCH LEVER	
56156276	56156276	1	SLEEVE D.19	
56156281	56156281	1	CENTRING BUSH D.25,4	
56156284	56156284	1	SPACER D19	
56156285	56156285	1	SPACER D25	
59247884	59247884	1	CLUTCH ASSY	
59247924	59247924	1	CLUTCH	
59247971	59247971	1	CLUTCH	
59256255	59256255	1	CLUTCH ASSY	
59256275	59256275	1	CLUTCH ASSY	
59256279	59256279	1	CLUTCH ASSY	
59256280	59256280	1	CLUTCH ASSY	






 NON SMONTARE MAI LA FRIZIONE  
 NEVER DISASSEMBLE THE CLUTCH  
 NE DEMONTER JAMAIS L'EMBRAYAGE  
 NIEMALS DIE KUPPLUNG AUSBAUEN  
 NO DESMONTAR JAMAS EL EMBRAYUE



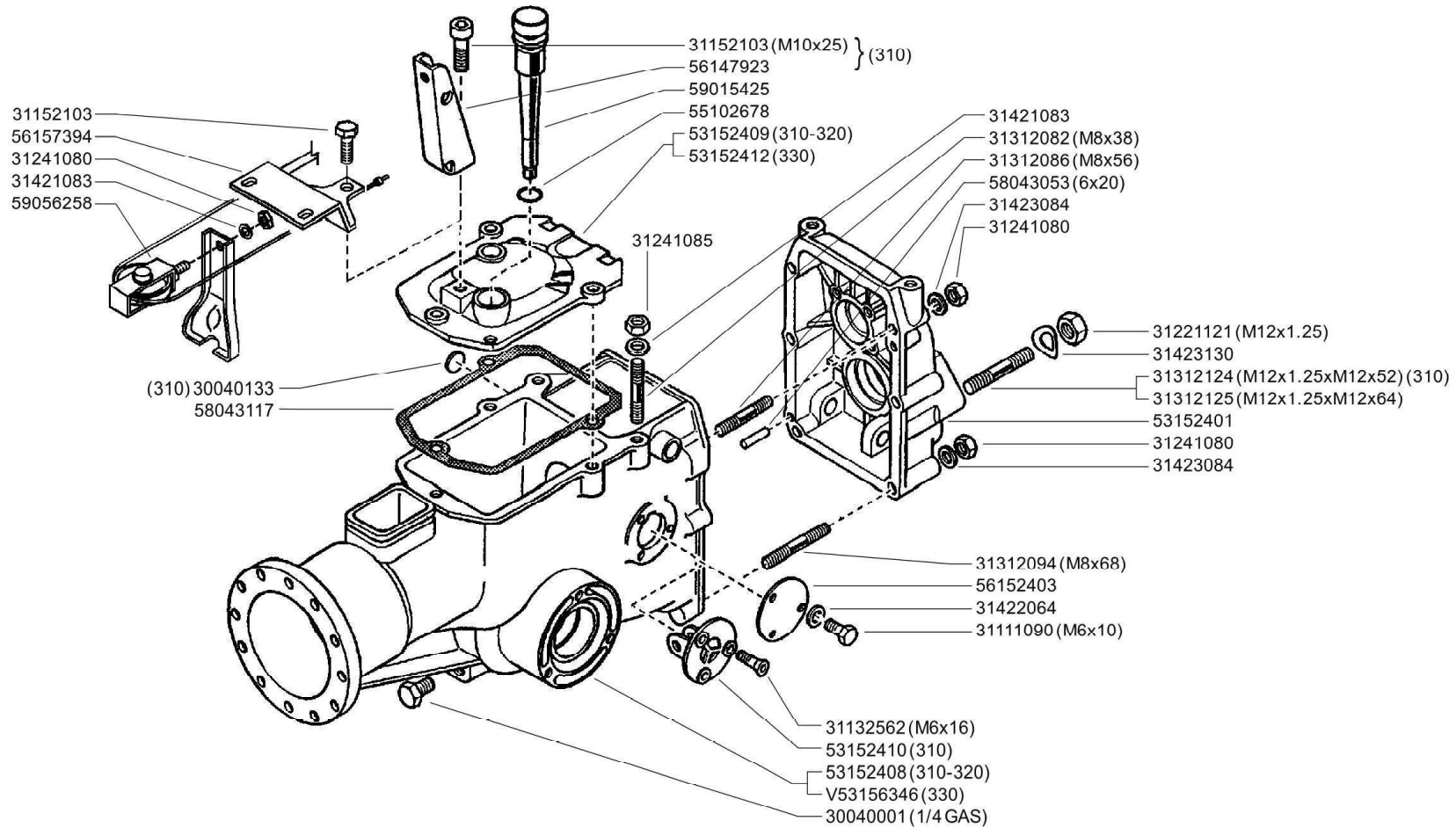
**i** = info - stop 2 sec. ★ = new part



FERRARI Motor mowers, FERRARI 2-wheel tractors - 320 TRENDY  
 D.01.02.A0027\_03 - CLUTCH

Pos.	Id	Q.ty	Description	Note
1	55157609		BELLOWS	ELECTRIC STARTING
2	55156481		CLUTCH LEVER BELLOWS	REPLACES 55147842
3	524C1014		PRESSURE CONE	REPLACE 52447896
4	50956262		CLUTCH LEVER	ELECTRIC STARTING
5	56147845		CLUTCH LEVER	RECOIL STARTER
6	37112173		BEARING 6203 DDU7C3EX26 NSK	
7	56156284		SPACER D19	
7	56156285		SPACER D25	
8	56156276		SLEEVE D.19	
8	56156281		CENTRING BUSH D.25,4	
9	31241080		HEXAGON SELFLOCK NUT M8	
9	31241083		SELFLOCK NUT M8	REPLACES 31211080 + 31423084
10	53156150		ENGINE FLANGE B&S 8HP I/P	GX240/GX270/GX340/GX390
10	53247488		ENGINE FLANGE H=21	GX120/GX160/GX200 - EX17
11	31312083		STUD BOLT M8X46X16X16	
12	31423084		SPRING WASHER 8,4	
12	31423105		SPRING WASHER 10,5	GX240/GX270/GX340/GX390
13	31100003		SCREW TE 5/16X7/8	GX120/GX160/GX200
13	31100015		SCREW TE 3/8X1	GX240/GX270/GX340/GX390 - EX17
14	59247489		CONIC CLUTCH D=23 1 CPL SPRING	REPLACES 59247884 - 15LD315/15LD350 - L70AE - A220 - ACT280/A349/A360
14	59247513		CONIC CLUTCH D=24 2 SPRINGS	REPLACES 59247924 - 15LD500
14	59247823		CONIC CLUTCH D=23,2 2 SPRINGS	REPLACES 59247971 - L100AE - ACT340 - 15KD440
14	59256255		CLUTCH ASSY	A220 (REF.)
14	592C1010		CLUTCH D.19 Q(UP TO 9HP)	REPLACES 59256275 - GX120/GX160/GX200
14	592C1011		COMPLETE CLUTCH D=25,4 9HP	REPLACES 59256279 - GX240/GX270
14	592C1012		CONIC CLUTCH D=25,4 UP 9HP	REPLACES 59256280 - GX340/GX390





V= verde - green - vert - grün

		<b>SCATOLA CAMBIO</b>		DALLA MACCHINA FROM THE MACHINE DE LA MACHINE DE LA MAQUINA AB DER MASCHINE	Rev. <b>E01</b> 0
		GEARBOX CAJA DE CAMBIO	BOTTE DE VITESSES WECHSELGETRIEBE		



FERRARI Motor mowers, FERRARI 2-wheel tractors - 320 TRENDY  
 E01\_0\_27146 - GEARBOX

Pos.	Id	Q.ty	Description	Note
30040001	30040001	1	PLUG 1/4 UNI 364	
30040133	30040133	1	PLUG 22 DIN 470	
31111090	31111090	1	SCREW TE M5X10 UNI 5739 8G	
31132562	31132562	1	SCREW TSVEI M6X16 UNI 5933	
31152103	31152103	1	SCREW TCEI M10X25 UNI 5931	
31221121	31221121	1	NUT M12X1,25	
31241080	31241080	1	HEXAGON SELFLOCK NUT M8	
31241085	31241085	1	SELFLOCK NUT M8 6S	
31312082	31312082	1	STUD BOLT M8X38X14X20	
31312086	31312086	1	STUD BOLT M8X56X20X14	
31312094	31312094	1	STUD BOLT M8X68X14X36	
31312124	31312124	1	STUD BOLT 52XM12X1,25X22XM12X22 8G	
31312125	31312125	1	STUD BOLT 64XM12X1,25X26XM12X30 8G	
31421083	31421083	1	WASHER	
31422064	31422064	1	SPRING WASHER 6,4	
31423084	31423084	1	SPRING WASHER 8,4	
31423130	31423130	1	SPRING WASHER EL 13 DIN 137-B	
53152401	53152401	1	REAR COVER	
53152408	53152408	1	BODY	
53152409	53152409	1	COVER	
53152410	53152410	1	GEAR SUPPORT	
53152412	53152412	1	COVER	
53156346	53156346	1	BODY	
55102678	55102678	1	RUBBER RING	
56147923	56147923	1	BRACKET	
56152403	56152403	1	COVER	
56157394	56157394	1	STOP	
58043053	58043053	1	CYLINDRICAL PLUG	
58043117	58043117	1	COVER GASKET	



FERRARI Motor mowers, FERRARI 2-wheel tractors - 320 TRENDY

**E01\_0\_27146 - GEARBOX**

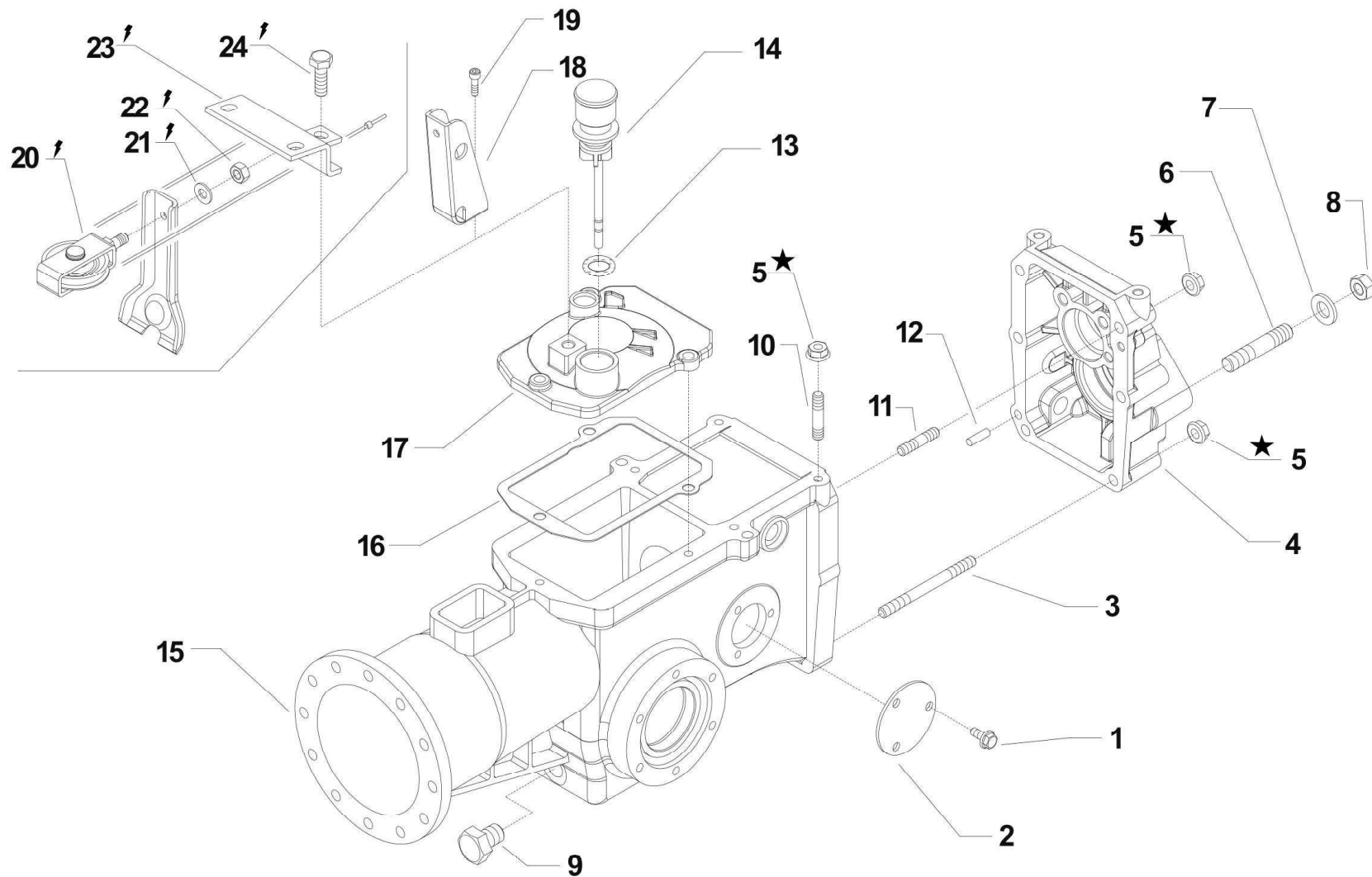
13/04/2021

Page 25 / 94

Pos.	Id	Q.ty	Description	Note
59015425	59015425	1	PLUG	
59056258	59056258	1	CLUTCH FORK	









**i = info - stop 2 sec.**    **★ = new part**



FERRARI Motor mowers, FERRARI 2-wheel tractors - 320 TRENDY  
**E.01.01.A0027\_01 - GEARBOX**

Pos.	Id	Q.ty	Description	Note
1	31112083		SCREW M6X12	
2	56147520Z		COVER	
3	31312094		STUD BOLT M8X68X14X36	
4	53156332V		REAR COVER	
5	31241084		SELFLOCK NUT M8 6S	
6	31312124		STUD BOLT 52XM12X1,25X22XM12X22 8G	310
6	31312125		STUD BOLT 64XM12X1,25X26XM12X30 8G	
7	31423130		SPRING WASHER EL 13 DIN 137-B	
8	31221121		NUT M12X1,25	
9	30040001		PLUG 1/4 UNI 364	
10	31312082		STUD BOLT M8X38X14X20	
11	31312086		STUD BOLT M8X56X20X14	
12	58043053		CYLINDRICAL PLUG	
13	55102678		RUBBER RING	
14	59015425		PLUG	
15	53156346V		BODY	
16	58043117		COVER GASKET	
17	53143128V		COVER	
17	53143875V		GEARBOX HOUSING COVER	330
18	56147923N		BRACKET	
19	31152103		SCREW TCEI M10X25 UNI 5931	
20	59056258		CLUTCH FORK	
21	31421083		WASHER	
22	31241080		HEXAGON SELFLOCK NUT M8	
23	56157394N		STOP	
24	31152103		SCREW TCEI M10X25 UNI 5931	

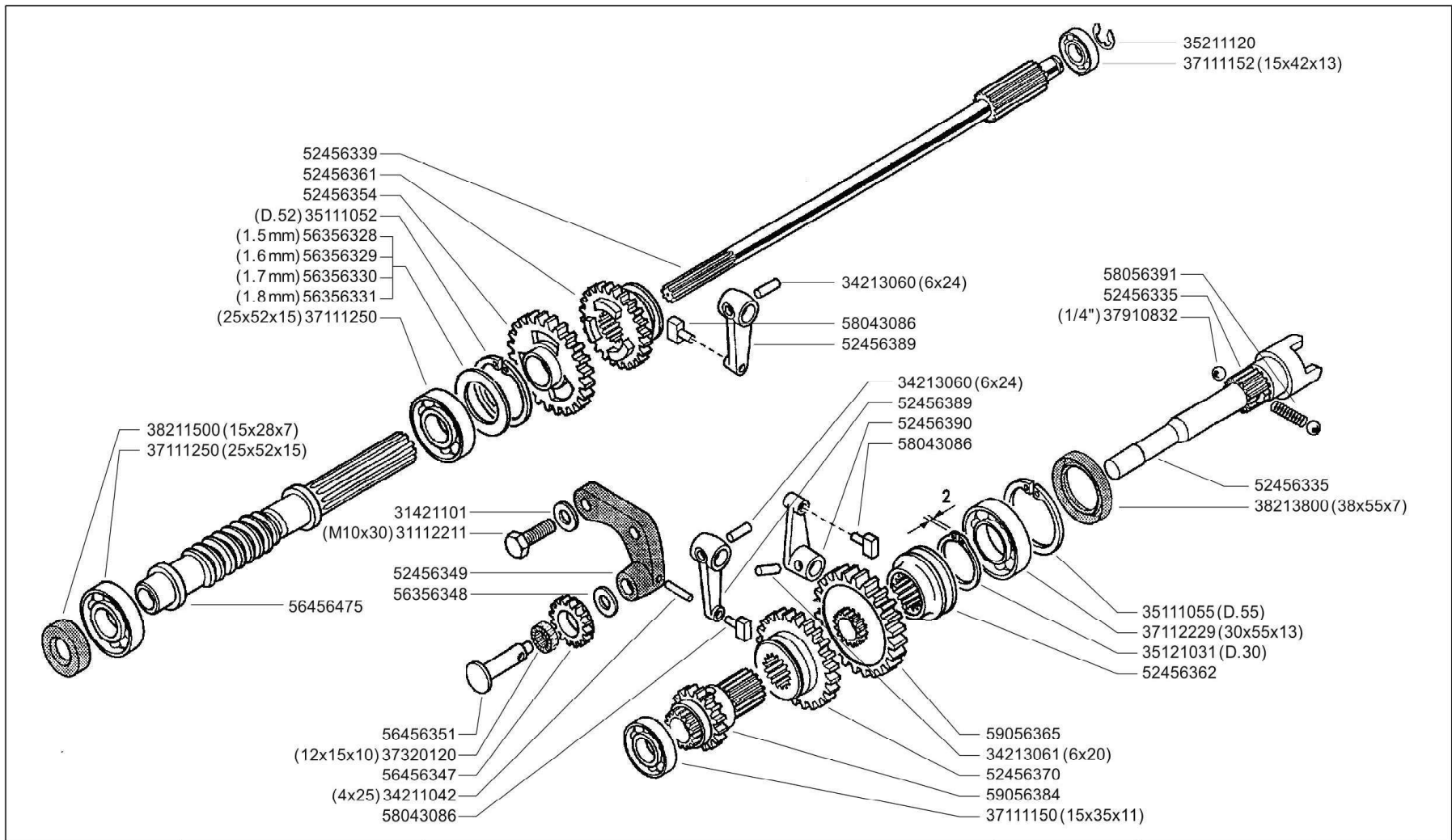


FERRARI Motor mowers, FERRARI 2-wheel tractors - 320 TRENDY

**E.01.01.A0027\_01 - GEARBOX**

13/04/2021

Page 28 / 94



	<b>300 TRENDY</b>	<b>INGRANAGGI CAMBIO (320-330)</b>		DALLA MACCHINA FROM THE MACHINE DE LA MACHINE DE LA MAQUINA AB DER MASCHINE	Rev.	<b>F02 0</b>
		GEARS ENGRANAJES	ENGRANAGES ZÄHNRÄDER		N.	



FERRARI Motor mowers, FERRARI 2-wheel tractors - 320 TRENDY  
**F02\_0\_27212 - GEARS**

Pos.	Id	Q.ty	Description	Note
31112211	31112211	1	SCREW TE M10X30 UNI 5739	
31421101	31421101	1	WASHER	
34211042	34211042	1	ROLL PIN	
34213060	34213060	1	ROLL PIN	
34213061	34213061	1	ROLL PIN	
35111052	35111052	1	SEEGER RING I 52 DIN 472	
35111055	35111055	1	SEEGER RING I 55 DIN 472	
35121031	35121031	1	SEEGER RING E 30 UNI 7436	
35211120	35211120	1	SEEGER RING E 12 UNI 7434	
37111150	37111150	1	BEARING 6202 (15X35X11)	
37111152	37111152	1	BEARING 6302 (15X42X13) SKF	
37111250	37111250	1	BEARING	
37112229	37112229	1	BEARING 6006 (30X55X13) SKF	
37320120	37320120	1	ROLLER CAGE 12X15/10	
37910832	37910832	1	BALL 1/4	
38211500	38211500	1	OIL SEAL 15X28X7	
38213800	38213800	1	OIL SEAL 38X55X7	
52456335	52456335	1	PTO SHAFT L=161	
52456339	52456339	1	SHAFT	
52456349	52456349	1	GEAR SUPPORT	
52456354	52456354	1	GEAR	
52456361	52456361	1	SLIDER	
52456362	52456362	1	COUPLING	
52456370	52456370	1	SLIDER	
52456389	52456389	1	LEVER	
52456390	52456390	1	LEVER	
56356328	56356328	1	ADJUSTING RING SP=1,5	
56356329	56356329	1	ADJUSTING RING SP=1,6	
56356330	56356330	1	ADJUSTING RING SP=1,7	



FERRARI Motor mowers, FERRARI 2-wheel tractors - 320 TRENDY

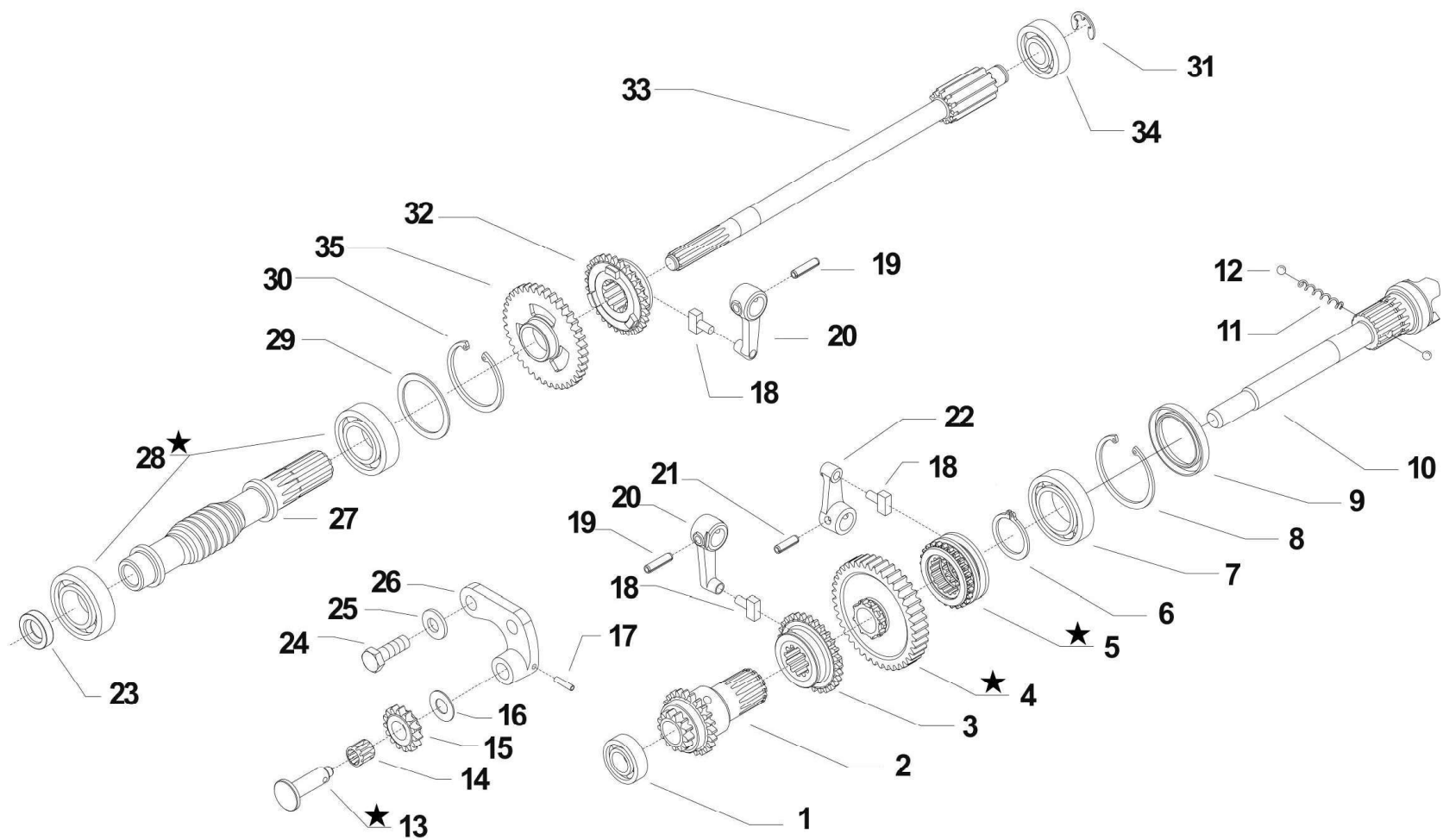
**F02\_0\_27212 - GEARS**

13/04/2021

Page 30 / 94

Pos.	Id	Q.ty	Description	Note
56356331	56356331	1	ADJUSTING RING SP=1,8	
56356348	56356348	1	ADJUSTING RING	
56456347	56456347	1	GEAR	
56456351	56456351	1	GEAR PIN	
56456475	56456475	1	SCREW 2	
58043086	58043086	1	SHOE	
58056391	58056391	1	SPRING	
59056365	59056365	1	PTO GEAR	
59056384	59056384	1	DOUBLE GEAR	





i = info - stop 2 sec. ★ = new part



FERRARI Motor mowers, FERRARI 2-wheel tractors - 320 TRENDY  
 F.02.02.A0027\_01 - GEARS

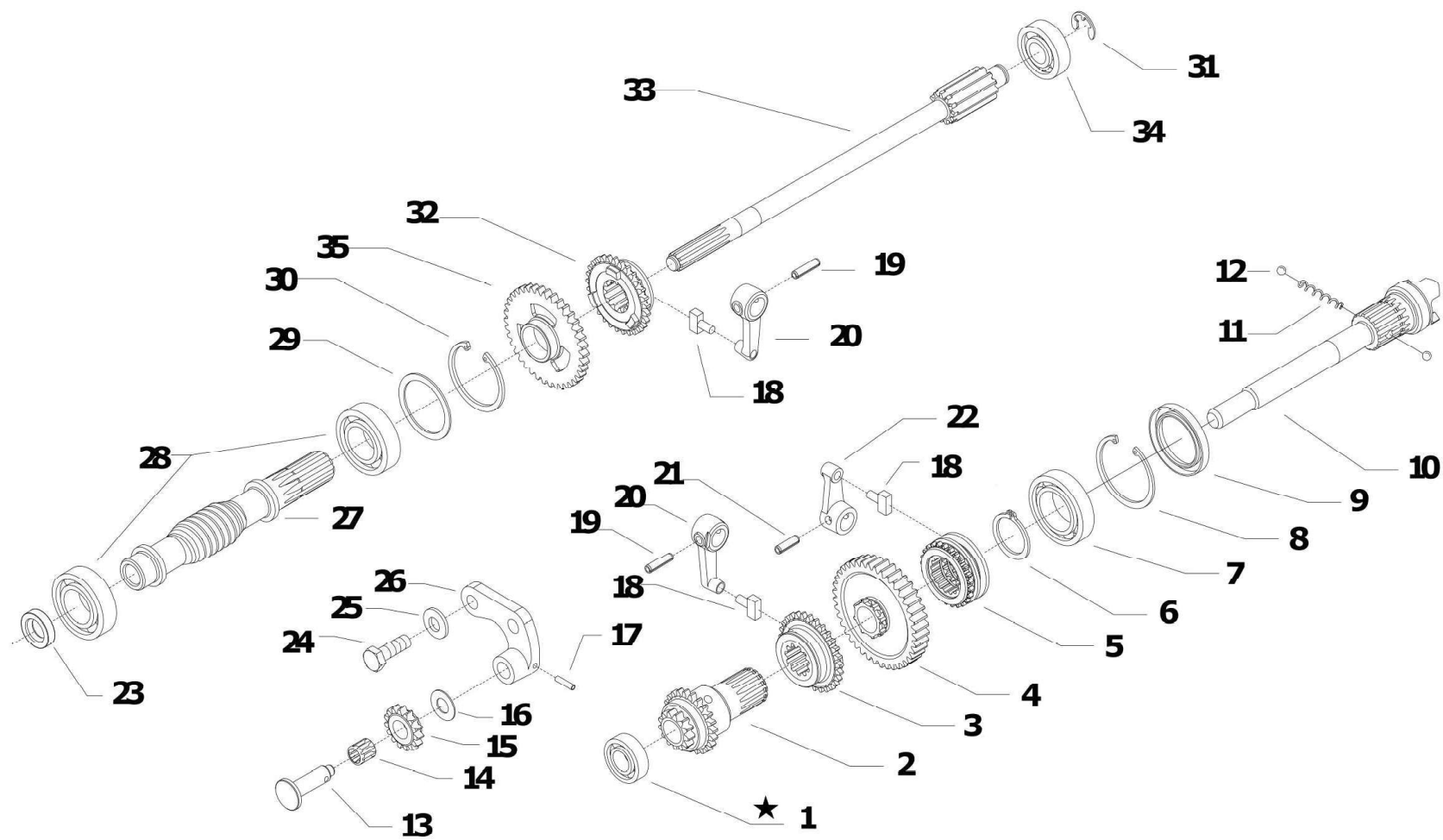
Pos.	Id	Q.ty	Description	Note
1	37111150		BEARING 6202 (15X35X11)	
2	59056384		DOUBLE GEAR	
3	52456370		SLIDER	
4	59056707		GEAR	Replaces 59056365 + 52456362
5	52456706		PTO COUPLING	Replaces 59056365 + 52456362
6	35121031		SEEGER RING E 30 UNI 7436	
7	37112229		BEARING 6006 (30X55X13) SKF	
8	35111055		SEEGER RING I 55 DIN 472	
9	38213800		OIL SEAL 38X55X7	
10	52456335		PTO SHAFT L=161	
11	58056391		SPRING	
12	37910832		BALL 1/4	
13	56456736		GEAR PIN	Replaces 56456351
14	37320120		ROLLER CAGE 12X15/10	
15	56456347		GEAR	
16	56356348		ADJUSTING RING	
17	34211042		ROLL PIN	
18	58043086		SHOE	
19	34213060		ROLL PIN	
20	52456389		LEVER	
21	34213061		ROLL PIN	
22	52456390		LEVER	
23	38211500		OIL SEAL 15X28X7	
24	31112211		SCREW TE M10X30 UNI 5739	
25	31421101		WASHER	
26	52456349		GEAR SUPPORT	
27	56456475		SCREW 2	
28	37111255		BEARING 6205 (25X52X15)	
29	56356328		ADJUSTING RING SP=1,5	



Pos.	Id	Q.ty	Description	Note
29	56356329		ADJUSTING RING SP=1,6	
29	56356330		ADJUSTING RING SP=1,7	
29	56356331		ADJUSTING RING SP=1,8	
30	35111052		SEEGER RING I 52 DIN 472	
31	35211120		SEEGER RING E 12 UNI 7434	
32	52456361		SLIDER	
33	52456339		SHAFT	
34	37111152		BEARING 6302 (15X42X13) SKF	
35	52456354		GEAR	







 [Click for info](#)

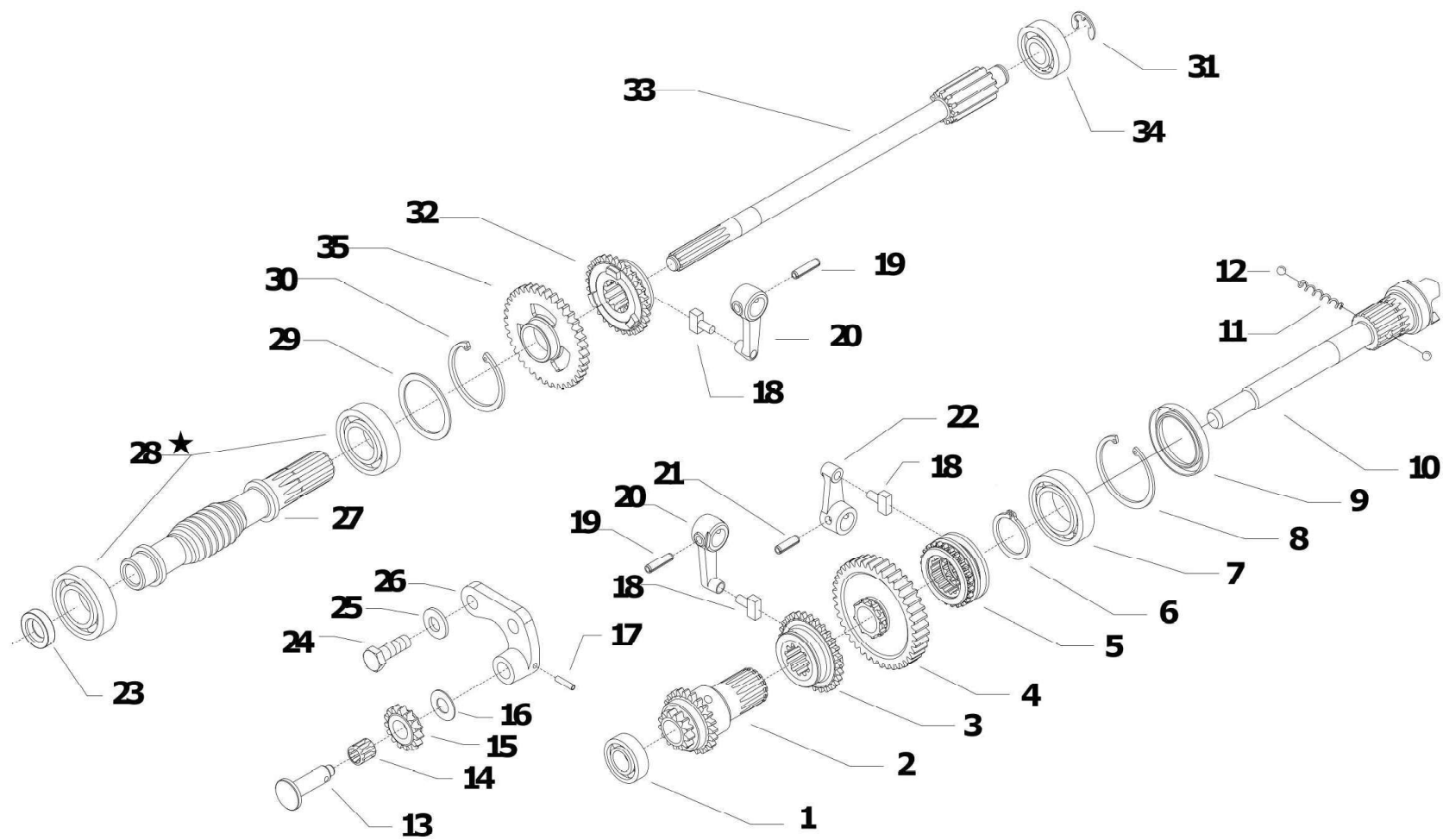
★ = new part

Pos.	Id	Q.ty	Description	Note
1	37111151		BEARING 6202 (15X35X11)	REPLACES 37111150
2	59056384		DOUBLE GEAR	
3	52456370		SLIDER	
4	59056707		GEAR	Replaces 59056365 + 52456362
5	52456706		PTO COUPLING	Replaces 59056365 + 52456362
6	35121031		SEEGER RING E 30 UNI 7436	
7	37112229		BEARING 6006 (30X55X13) SKF	
8	35111055		SEEGER RING I 55 DIN 472	
9	38213800		OIL SEAL 38X55X7	
10	52456335		PTO SHAFT L=161	
11	58056391		SPRING	
12	37910832		BALL 1/4	
13	56456736		GEAR PIN	Replaces 56456351
14	37320120		ROLLER CAGE 12X15/10	
15	56456347		GEAR	
16	56356348		ADJUSTING RING	
17	34211042		ROLL PIN	
18	58043086		SHOE	
19	34213060		ROLL PIN	
20	52456389		LEVER	
21	34213061		ROLL PIN	
22	52456390		LEVER	
23	38211500		OIL SEAL 15X28X7	
24	31112211		SCREW TE M10X30 UNI 5739	
25	31421101		WASHER	
26	52456349		GEAR SUPPORT	
27	56456475		SCREW 2	
28	37111255		BEARING 6205 (25X52X15)	
29	56356328		ADJUSTING RING SP=1,5	



Pos.	Id	Q.ty	Description	Note
29	56356329		ADJUSTING RING SP=1,6	
29	56356330		ADJUSTING RING SP=1,7	
29	56356331		ADJUSTING RING SP=1,8	
30	35111052		SEEGER RING I 52 DIN 472	
31	35211120		SEEGER RING E 12 UNI 7434	
32	52456361		SLIDER	
33	52456339		SHAFT	
34	37111152		BEARING 6302 (15X42X13) SKF	
35	52456354		GEAR	





 [Click for info](#)

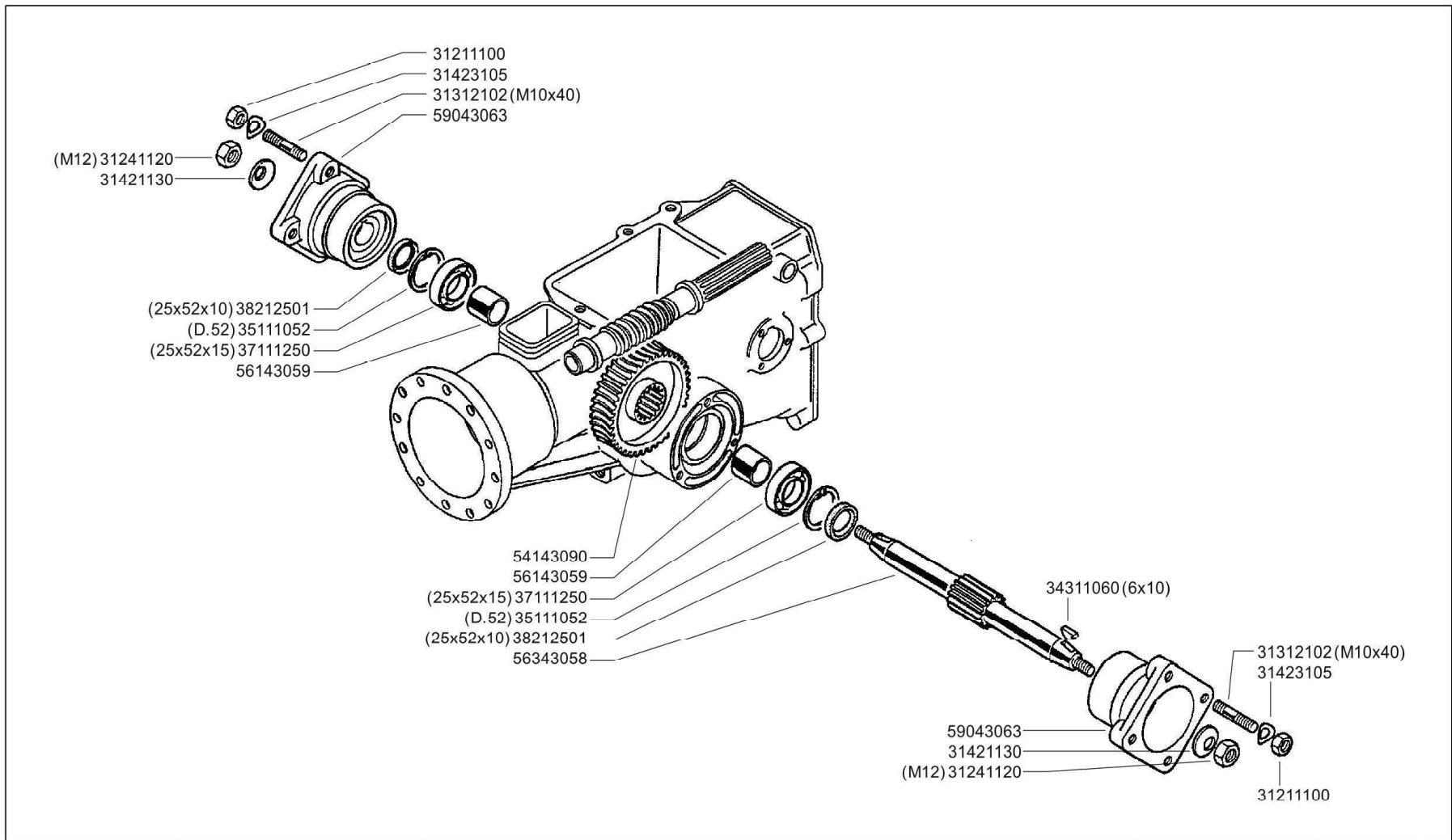
★ = new part

Pos.	Id	Q.ty	Description	Note
1	37111151		BEARING 6202 (15X35X11)	REPLACES 37111150
2	59056384		DOUBLE GEAR	
3	52456370		SLIDER	
4	59056707		GEAR	Replaces 59056365 + 52456362
5	52456706		PTO COUPLING	Replaces 59056365 + 52456362
6	35121031		SEEGER RING E 30 UNI 7436	
7	37112229		BEARING 6006 (30X55X13) SKF	
8	35111055		SEEGER RING I 55 DIN 472	
9	38213800		OIL SEAL 38X55X7	
10	52456335		PTO SHAFT L=161	
11	58056391		SPRING	
12	37910832		BALL 1/4	
13	56456736		GEAR PIN	Replaces 56456351
14	37320120		ROLLER CAGE 12X15/10	
15	56456347		GEAR	
16	56356348		ADJUSTING RING	
17	34211042		ROLL PIN	
18	58043086		SHOE	
19	34213060		ROLL PIN	
20	52456389		LEVER	
21	34213061		ROLL PIN	
22	52456390		LEVER	
23	38211500		OIL SEAL 15X28X7	
24	31112211		SCREW TE M10X30 UNI 5739	
25	31421101		WASHER	
26	52456349		GEAR SUPPORT	
27	56456475		SCREW 2	
28	37141250		BEARING 7205-B OBL SKF	REPLACES 37111255
29	56356328		ADJUSTING RING SP=1,5	



Pos.	Id	Q.ty	Description	Note
29	56356329		ADJUSTING RING SP=1,6	
29	56356330		ADJUSTING RING SP=1,7	
29	56356331		ADJUSTING RING SP=1,8	
30	35111052		SEEGER RING I 52 DIN 472	
31	35211120		SEEGER RING E 12 UNI 7434	
32	52456361		SLIDER	
33	52456339		SHAFT	
34	37111152		BEARING 6302 (15X42X13) SKF	
35	52456354		GEAR	





	<b>300 TRENDY</b>	<b>ASSE RUOTE (310-320)</b>		DALLA MACCHINA FROM THE MACHINE DE LA MACHINE DE LA MAQUINA AB DER MASCHINE	N.	Rev.
		WHEEL AXLE EJE RUEDAS	ESSEU ROUES RÄDACHSE			<b>G01 0</b>
						<b>11/2006</b>



FERRARI Motor mowers, FERRARI 2-wheel tractors - 320 TRENDY  
 G01\_0\_27251 - WHEEL AXLE

Pos.	Id	Q.ty	Description	Note
31211100	31211100	1	NUT M10	
31241120	31241120	1	SELFLOCK NUT M12	
31312102	31312102	1	STUD BOLT M10X40X24X12	
31421130	31421130	1	WASHER	
31423105	31423105	1	SPRING WASHER 10,5	
34311060	34311060	1	KEY 6X10 UNI 6606	
35111052	35111052	1	SEEGER RING I 52 DIN 472	
37111250	37111250	1	BEARING	
38212501	38212501	1	OIL SEAL 25X52X10	
54143090	54143090	1	CROWN WHEELZ=49 DESTROSA	
56143059	56143059	1	SPACER	
56343058	56343058	1	AXLE SHAFT	
59043063	59043063	1	WHEEL HUB	



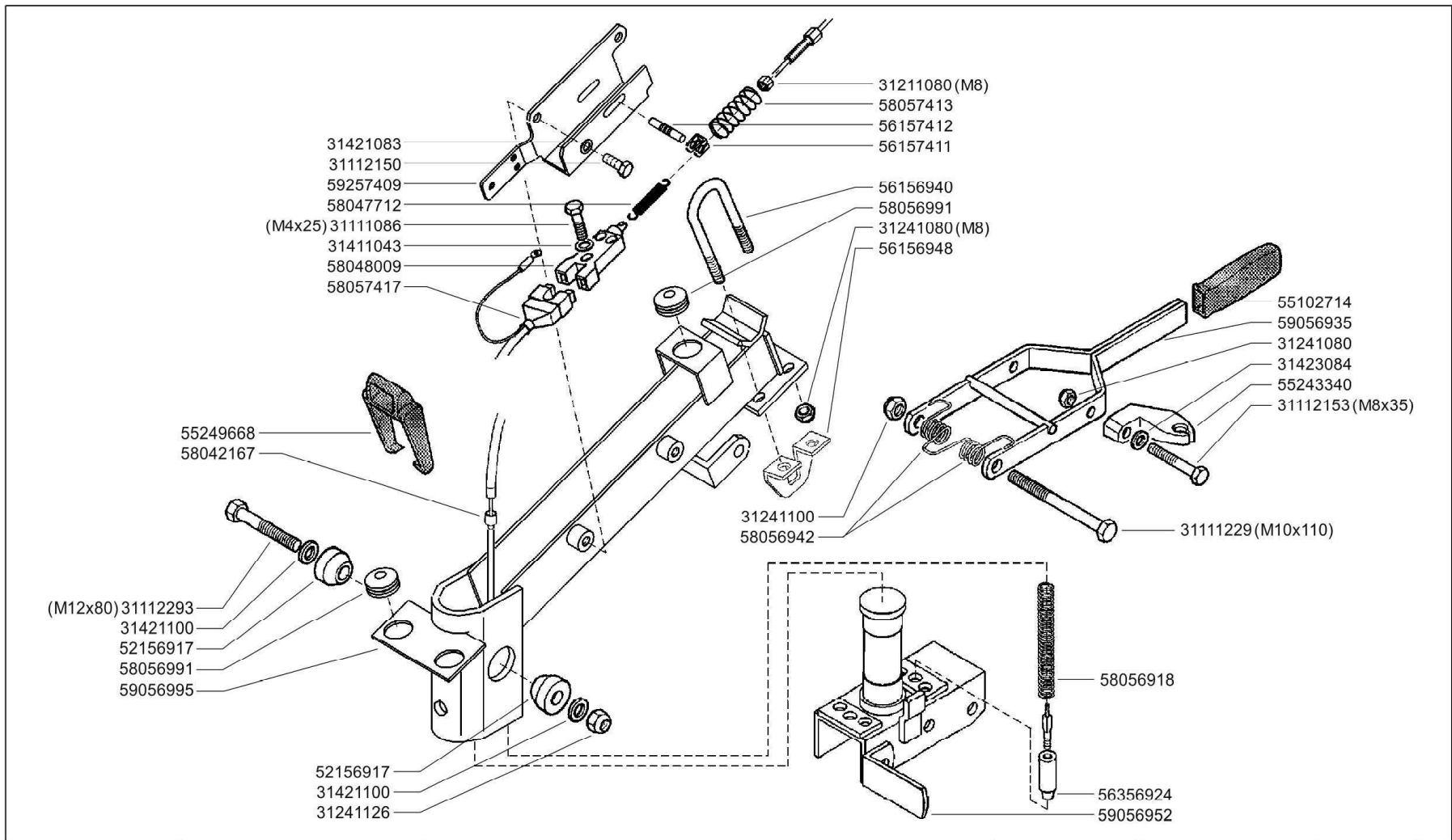
FERRARI Motor mowers, FERRARI 2-wheel tractors - 320 TRENDY

G01\_0\_27251 - WHEEL AXLE

13/04/2021

Page 42 / 94





	<b>300 TRENDY</b>	<b>PIANTONE (320-330)</b>		DALLA MACCHINA FROM THE MACHINE DE LA MACHINE DE LA MAQUINA AB DER MASCHINE	Rev. <b>0</b>
		STEERING COLUMN COLUMNNA	PLANTON LENKSÄULE		



FERRARI Motor mowers, FERRARI 2-wheel tractors - 320 TRENDY  
**H02\_0\_27310 - STEERING COLUMN**

Pos.	Id	Q.ty	Description	Note
31111086	31111086	1	SCREW TE M4X25 UNI 5739 8G	
31111229	31111229	1	SCREW TE M10X110 UNI 5737 8G	
31112150	31112150	1	SCREW TE M8X20 UNI 5739 8G	
31112153	31112153	1	SCREW TE M8X35 UNI 5739 8G	
31112293	31112293	1	SCREW TE M12X80 UNI 5737	
31211080	31211080	1	NUT M8	
31241080	31241080	1	HEXAGON SELFLOCK NUT M8	
31241100	31241100	1	SELFLOCK HEXAGON NUT M10	
31241126	31241126	1	SELFLOCK NUT M12	
31411043	31411043	1	WASHER 4,3X9	
31421083	31421083	1	WASHER	
31421100	31421100	1	CUP SPRING 25X12,2X1,5 D2093	
31423084	31423084	1	SPRING WASHER 8,4	
52156917	52156917	1	WEDGE	
55102714	55102714	1	FLAT KNOB	
55243340	55243340	1	SUPPORT	
55249668	55249668	1	PASSING	
56156940	56156940	1	U BOLT	
56156948	56156948	1	STOP	
56157411	56157411	1	FORK	
56157412	56157412	1	PIN	
56356924	56356924	1	FERRULE	
58042167	58042167	1	SHEATH END	
58047712	58047712	1	SPRING	
58048009	58048009	1	ENGINE STOP SWITCH	
58056918	58056918	1	SPRING	
58056942	58056942	1	SPRING	
58056991	58056991	1	CABLE GLAND 90/200/30	
58057413	58057413	1	RETAINING SPRING	



FERRARI Motor mowers, FERRARI 2-wheel tractors - 320 TRENDY

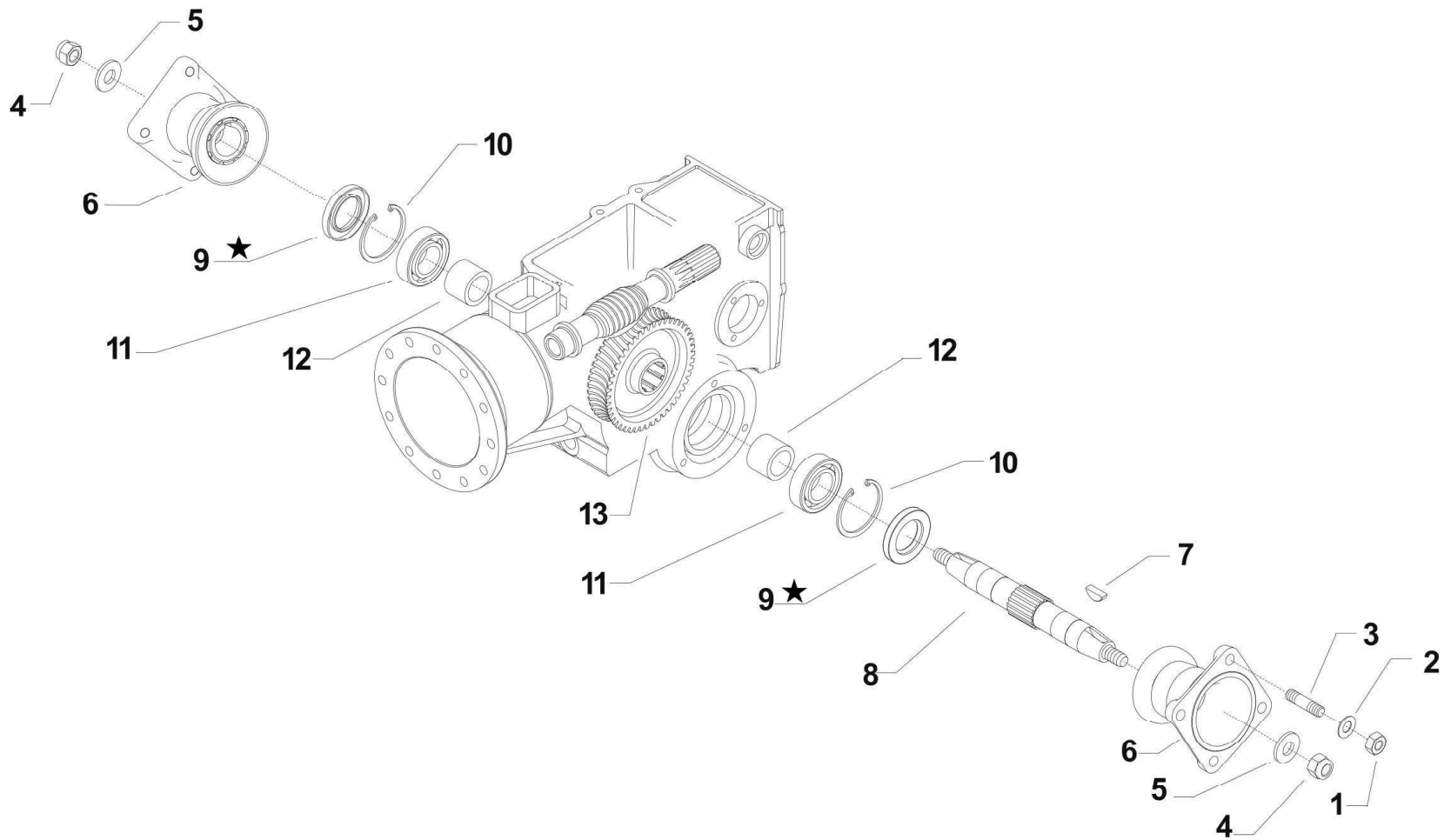
**H02\_0\_27310 - STEERING COLUMN**

13/04/2021

Page 44 / 94

Pos.	Id	Q.ty	Description	Note
58057417	58057417	1	WIRING MOT/STOP L=950	
59056935	59056935	1	LEVER	
59056952	59056952	1	SUPPORT	
59056995	59056995	1	COLUMN	
59257409	59257409	1	SUPPORT	





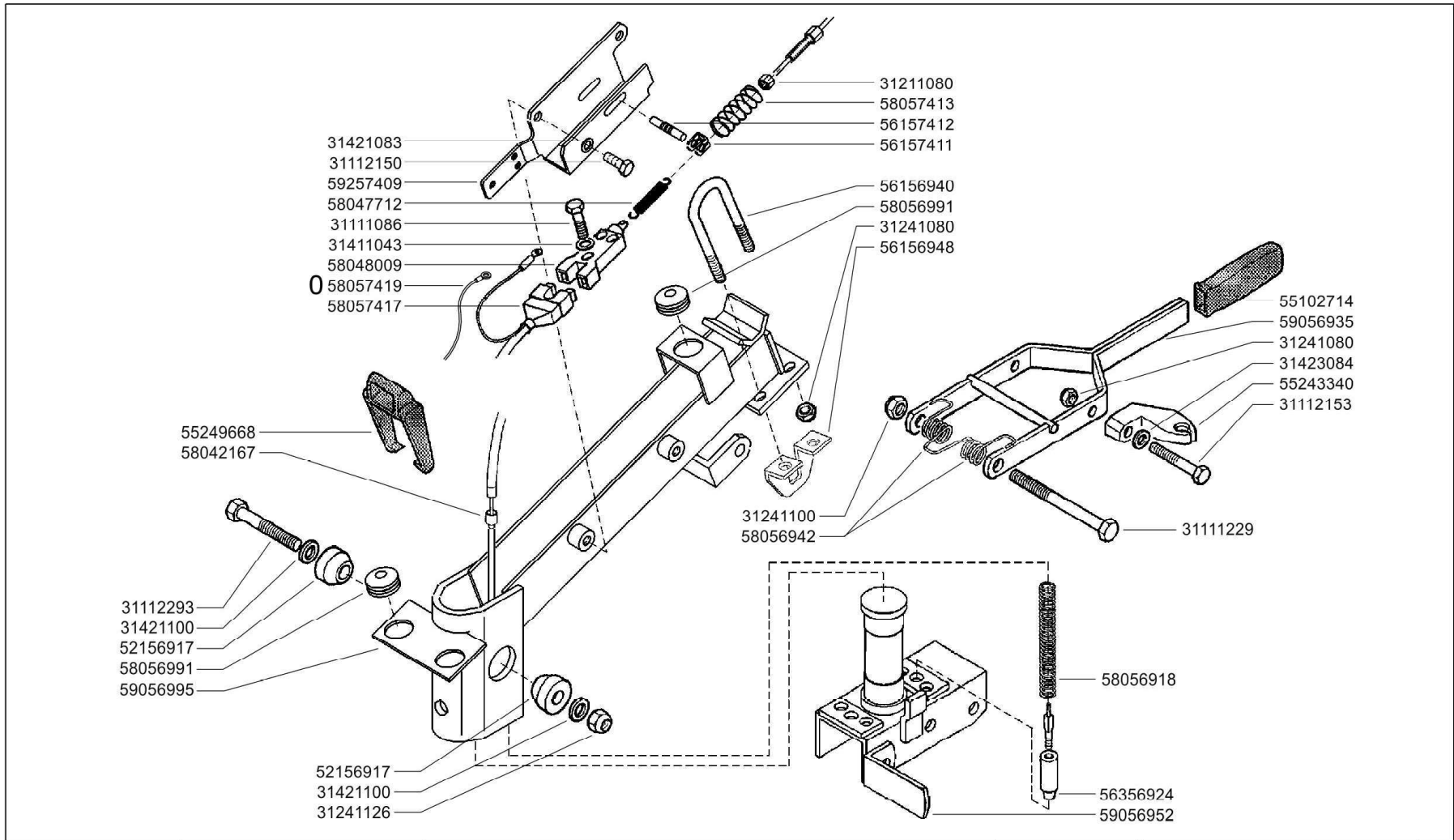
i = info - stop 2 sec. ★ = new part



FERRARI Motor mowers, FERRARI 2-wheel tractors - 320 TRENDY  
 G.01.02.A0027\_01 - WHEEL AXLE

Pos.	Id	Q.ty	Description	Note
1	31211100		NUT M10	
2	31423105		SPRING WASHER 10,5	
3	31312102		STUD BOLT M10X40X24X12	
4	31241120		SELFLOCK NUT M12	
5	31421130		WASHER	
6	59043063		WHEEL HUB	
7	34311060		KEY 6X10 UNI 6606	
8	56343058		AXLE SHAFT	
9	38212502		OIL SEAL 25X52X7	REPLACES 38212501
10	35111052		SEEGER RING I 52 DIN 472	
11	37111250		BEARING	
12	56143059		SPACER	
13	54143090		CROWN WHEELZ=49 DESTROSA	





	<b>300 TRENDY</b>	<b>PIANTONE (320-330)</b>		DALLA MACCHINA FROM THE MACHINE DE LA MACHINE DE LA MAQUINA AB DER MASCHINE	Rev. <b>1</b>
		STEERING COLUMN COLUMNNA	PLANTON LENKSÄULE		



FERRARI Motor mowers, FERRARI 2-wheel tractors - 320 TRENDY  
**H02\_1\_60701 - STEERING COLUMN**

Pos.	Id	Q.ty	Description	Note
31111086	31111086	1	SCREW TE M4X25 UNI 5739 8G	
31111229	31111229	1	SCREW TE M10X110 UNI 5737 8G	
31112150	31112150	1	SCREW TE M8X20 UNI 5739 8G	
31112153	31112153	1	SCREW TE M8X35 UNI 5739 8G	
31112293	31112293	1	SCREW TE M12X80 UNI 5737	
31211080	31211080	1	NUT M8	
31241080	31241080	1	HEXAGON SELFLOCK NUT M8	
31241100	31241100	1	SELFLOCK HEXAGON NUT M10	
31241126	31241126	1	SELFLOCK NUT M12	
31411043	31411043	1	WASHER 4,3X9	
31421083	31421083	1	WASHER	
31421100	31421100	1	CUP SPRING 25X12,2X1,5 D2093	
31423084	31423084	1	SPRING WASHER 8,4	
52156917	52156917	1	WEDGE	
55102714	55102714	1	FLAT KNOB	
55243340	55243340	1	SUPPORT	
55249668	55249668	1	PASSING	
56156940	56156940	1	U BOLT	
56156948	56156948	1	STOP	
56157411	56157411	1	FORK	
56157412	56157412	1	PIN	
56356924	56356924	1	FERRULE	
58042167	58042167	1	SHEATH END	
58047712	58047712	1	SPRING	
58048009	58048009	1	ENGINE STOP SWITCH	
58056918	58056918	1	SPRING	
58056942	58056942	1	SPRING	
58056991	58056991	1	CABLE GLAND 90/200/30	
58057413	58057413	1	RETAINING SPRING	



FERRARI Motor mowers, FERRARI 2-wheel tractors - 320 TRENDY

**H02\_1\_60701 - STEERING COLUMN**

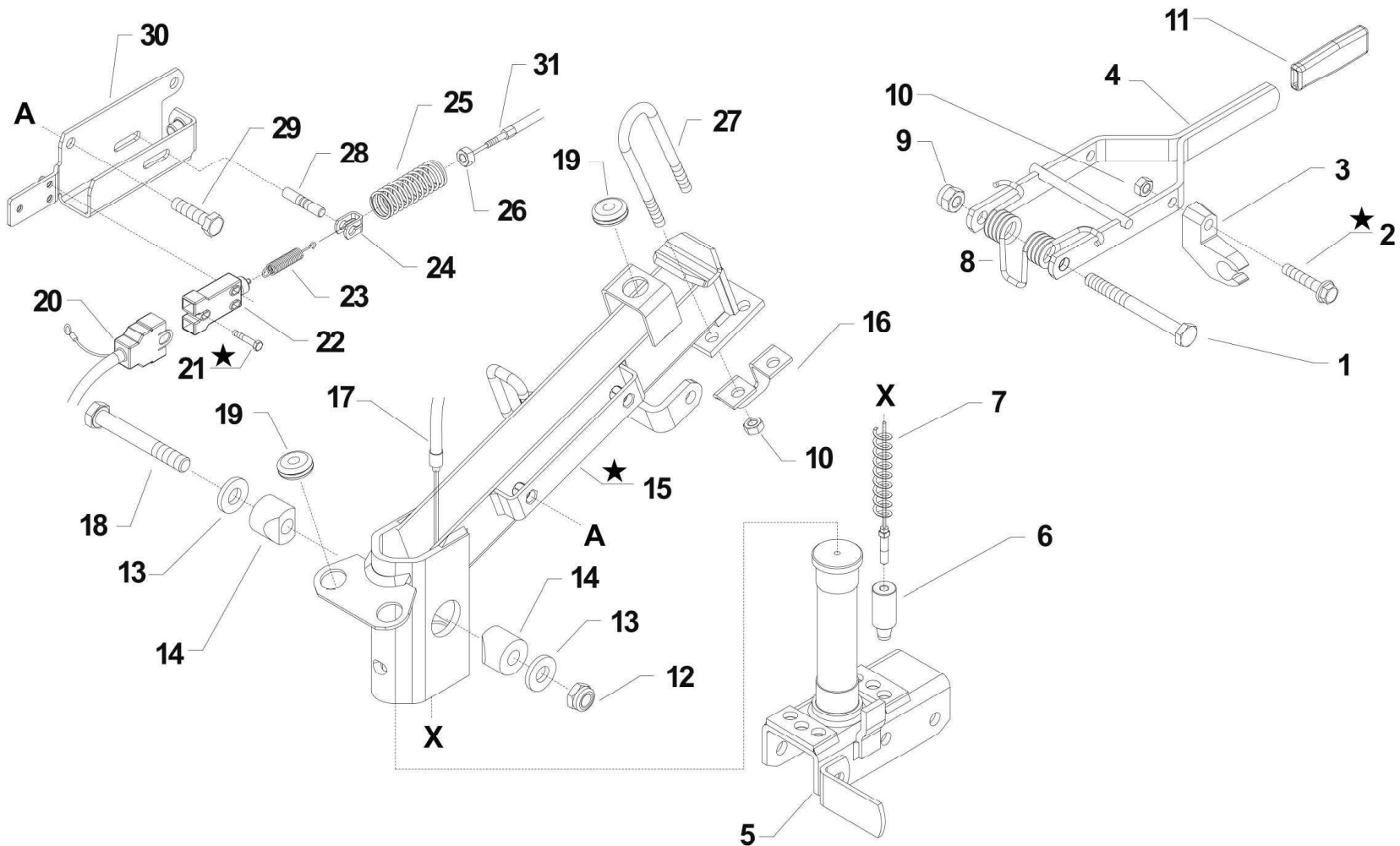
13/04/2021

Page 49 / 94

Pos.	Id	Q.ty	Description	Note
58057417	58057417	1	WIRING MOT/STOP L=950	
58057419	58057419	1	WIRING MC L=700	
59056935	59056935	1	LEVER	
59056952	59056952	1	SUPPORT	
59056995	59056995	1	COLUMN	
59257409	59257409	1	SUPPORT	







i = info - stop 2 sec. ★ = new part



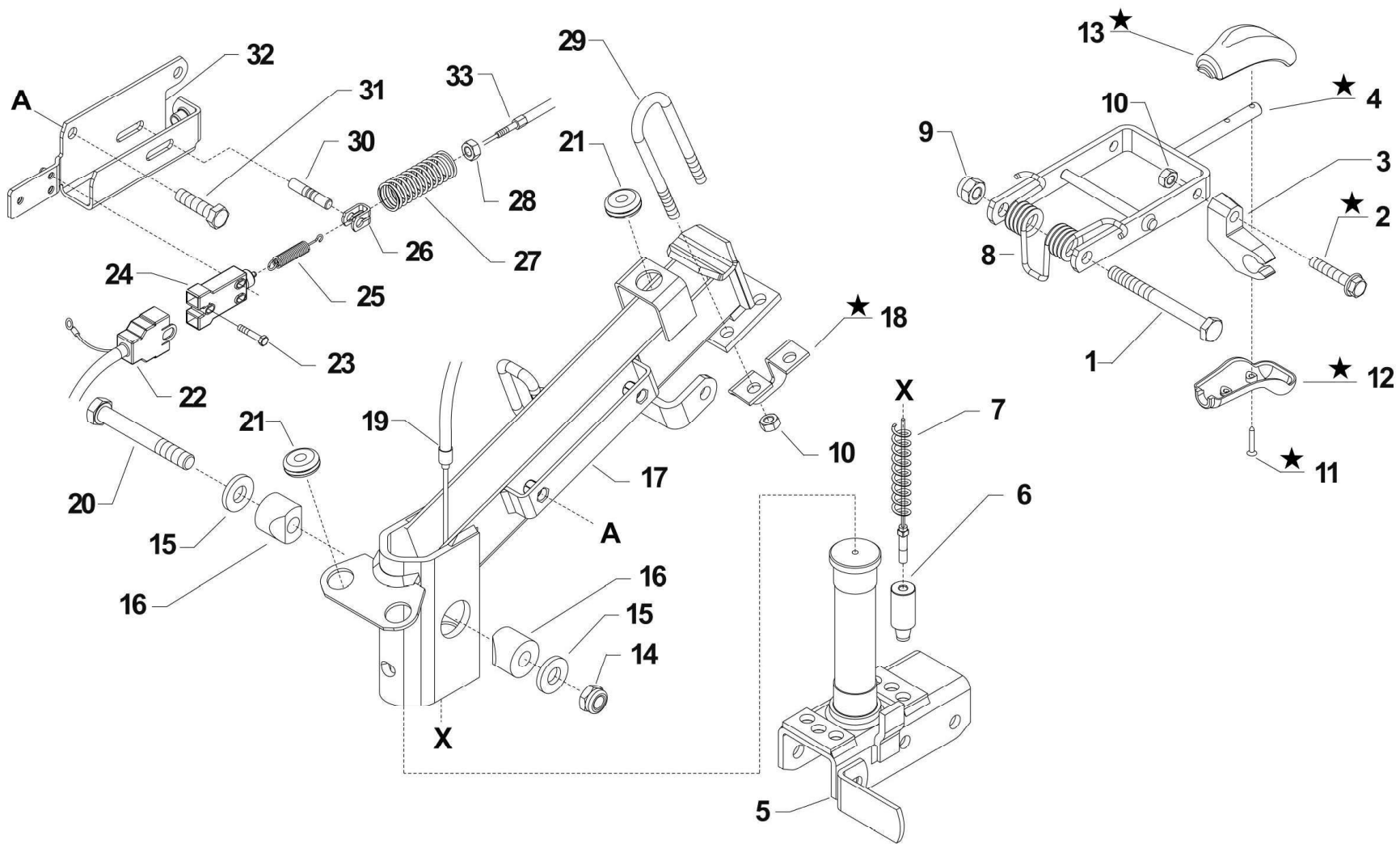
FERRARI Motor mowers, FERRARI 2-wheel tractors - 320 TRENDY  
 H.02.01.A0027\_02 - STEERING COLUMN

Pos.	Id	Q.ty	Description	Note
1	31111229		SCREW TE M10X110 UNI 5737 8G	
2	31112165		SCREW TE C/F M8X35 DIN 6921 8G	
3	55243340		SUPPORT	
4	59056935		LEVER	
5	59056952N		SUPPORT	
6	56356924		FERRULE	
7	58056918Z		SPRING	
8	58056942N		SPRING	
9	31241100		SELFLOCK HEXAGON NUT M10	
10	31241080		HEXAGON SELFLOCK NUT M8	
11	55102714		FLAT KNOB	
12	31241126		SELFLOCK NUT M12	
13	31421100Z		CUP SPRING 25X12,2X1,5 D2093	
14	52156917		WEDGE	
15	59256999		COLUMN	REPLACES 59056995
16	56156948N		STOP	
17	58042167		SHEATH END	
18	31112293		SCREW TE M12X80 UNI 5737	
19	58056991		CABLE GLAND 90/200/30	
20	58057417		WIRING MOT/STOP L=950	
21	31121024		SCREW TBCEI FL.M4X25	
22	58048009		ENGINE STOP SWITCH	
23	58047712		SPRING	
24	56157411Z		FORK	
25	58057413		RETAINING SPRING	
26	31211080		NUT M8	
27	56156940		U BOLT	
28	56157412		PIN	
29	31112170		SCREW TE C/F M8X20 DIN 6921	



Pos.	Id	Q.ty	Description	Note
30	59257409		SUPPORT	
31	58057416		LINE AND SHEATH M/S L=620 MF/04	





**i** = info - stop 2 sec. ★ = new part



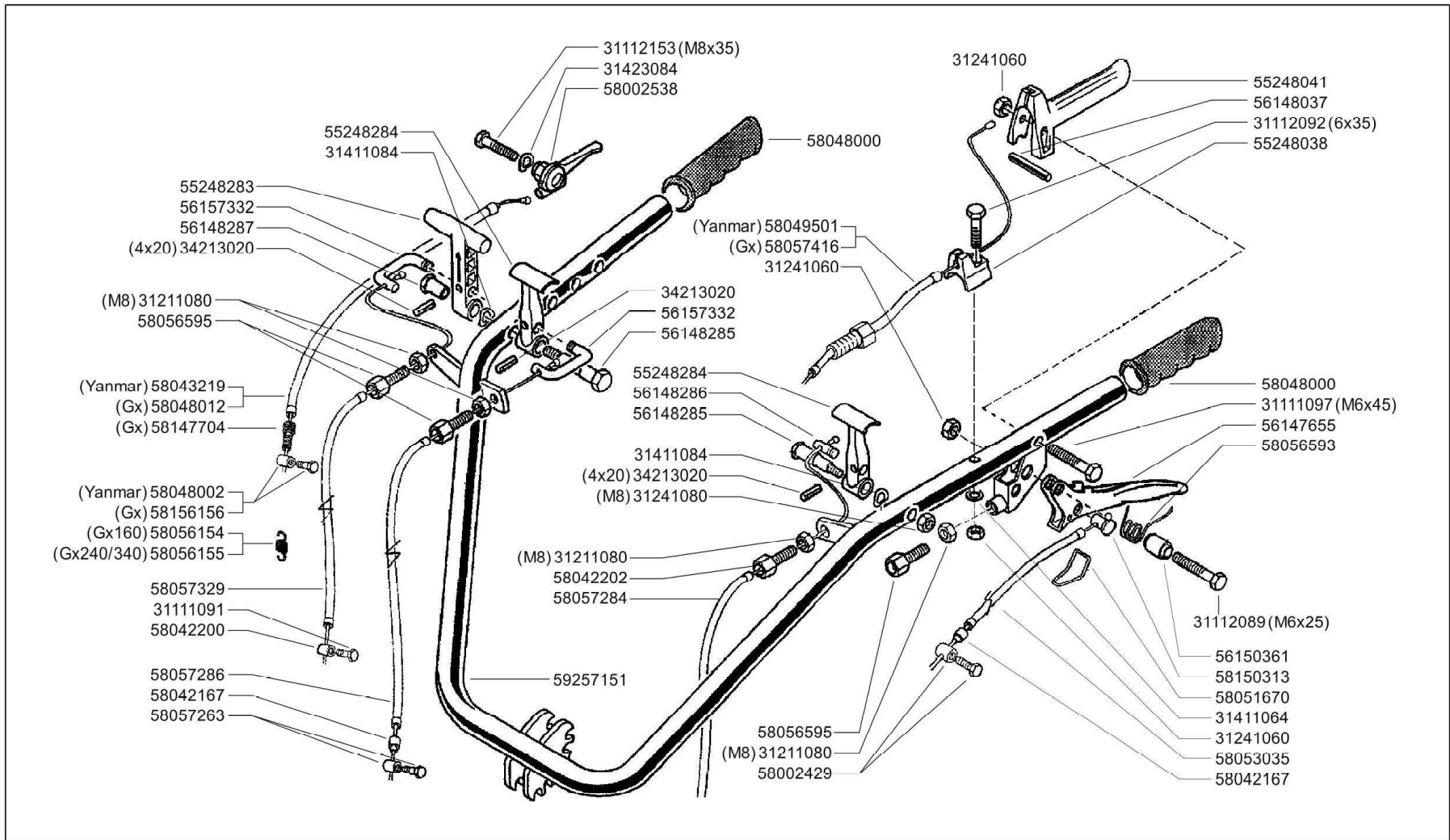
FERRARI Motor mowers, FERRARI 2-wheel tractors - 320 TRENDY  
 H.02.01.A0027\_03 - STEERING COLUMN

Pos.	Id	Q.ty	Description	Note
11	31100451		SCREW 3,5X25	
1	31111229		SCREW TE M10X110 UNI 5737 8G	
2	31112165		SCREW TE C/F M8X35 DIN 6921 8G	
31	31112170		SCREW TE C/F M8X20 DIN 6921	
20	31112293		SCREW TE M12X80 UNI 5737	
23	31121024		SCREW TBCEI FL.M4X25	
28	31211080		NUT M8	
10	31241080		HEXAGON SELFLOCK NUT M8	
9	31241100		SELFLOCK HEXAGON NUT M10	
14	31241126		SELFLOCK NUT M12	
15	31421100Z		CUP SPRING 25X12,2X1,5 D2093	
16	52156917		WEDGE	
13	55157212		GRIP	
12	55157213		GRIP	
3	55243340		SUPPORT	
29	56156940		U BOLT	
18	56156974N		SUPPORT	
26	56157411Z		FORK	
30	56157412		PIN	
6	56356924		FERRULE	
19	58042167		SHEATH END	
25	58047712		SPRING	
24	58048009		ENGINE STOP SWITCH	
7	58056918Z		SPRING	
8	58056942N		SPRING	
21	58056991		CABLE GLAND 90/200/30	
27	58057413		RETAINING SPRING	
33	58057416		LINE AND SHEATH M/S L=620 MF/04	
22	58057417		WIRING MOT/STOP L=950	



Pos.	Id	Q.ty	Description	Note
5	59056952N		SUPPORT	
4	59057010N		LEVER	
17	59256999		COLUMN	
32	59257409		SUPPORT	





	<b>300 TRENDY</b>	<b>MANUBRIO (320-330)</b>		DALLA MACCHINA FROM THE MACHINE DE LA MACHINE DE LA MAQUINA AB DER MASCHINE	N.	Rev.
		HANDLEBAR MANILLAR	MANCHERON LENKER			<b>I02 0</b>
						<b>11/2006</b>



Pos.	Id	Q.ty	Description	Note
31111091	31111091	1	SCREW E M6X14 UNI 5739 8G	
31111097	31111097	1	SCREW TE M6X45 UNI 5737 8G	
31112089	31112089	1	SCREW TE M6X25 UNI 5739 8G	
31112092	31112092	1	SCREW TE M6X35 UNI 5739 8G	
31112153	31112153	1	SCREW TE M8X35 UNI 5739 8G	
31211080	31211080	1	NUT M8	
31241060	31241060	1	HEXAGON SELFLOCK NUT M6	
31241080	31241080	1	HEXAGON SELFLOCK NUT M8	
31411064	31411064	1	WASHER 6,4x12,5	
31411084	31411084	1	WASHER 8,4x17	
31423084	31423084	1	SPRING WASHER 8,4	
34213020	34213020	1	ROLL PIN	
55248038	55248038	1	STOP	
55248041	55248041	1	LEVER	
55248283	55248283	1	COMMAND LEVER	
55248284	55248284	1	LEVER	
56147655	56147655	1	CLUTCH LEVER	
56148037	56148037	1	LEVER STOP	
56148285	56148285	1	PIN	
56148286	56148286	1	DRILLED PIN	
56148287	56148287	1	STUD BOLT	
56150361	56150361	1	SPACER	
56157332	56157332	1	U BOLT	
58002429	58002429	1	CLAMPING SCREW	
58002538	58002538	1	ACCELERATOR	
58042167	58042167	1	SHEATH END	
58042200	58042200	1	CLAMPING SCREW	
58042202	58042202	1	ADJUSTING SCREW M8	
58043219	58043219	1	LINE AND SHEATH (L=1850)	



FERRARI Motor mowers, FERRARI 2-wheel tractors - 320 TRENDY

**I02\_0\_27387 - HANDLEBAR**

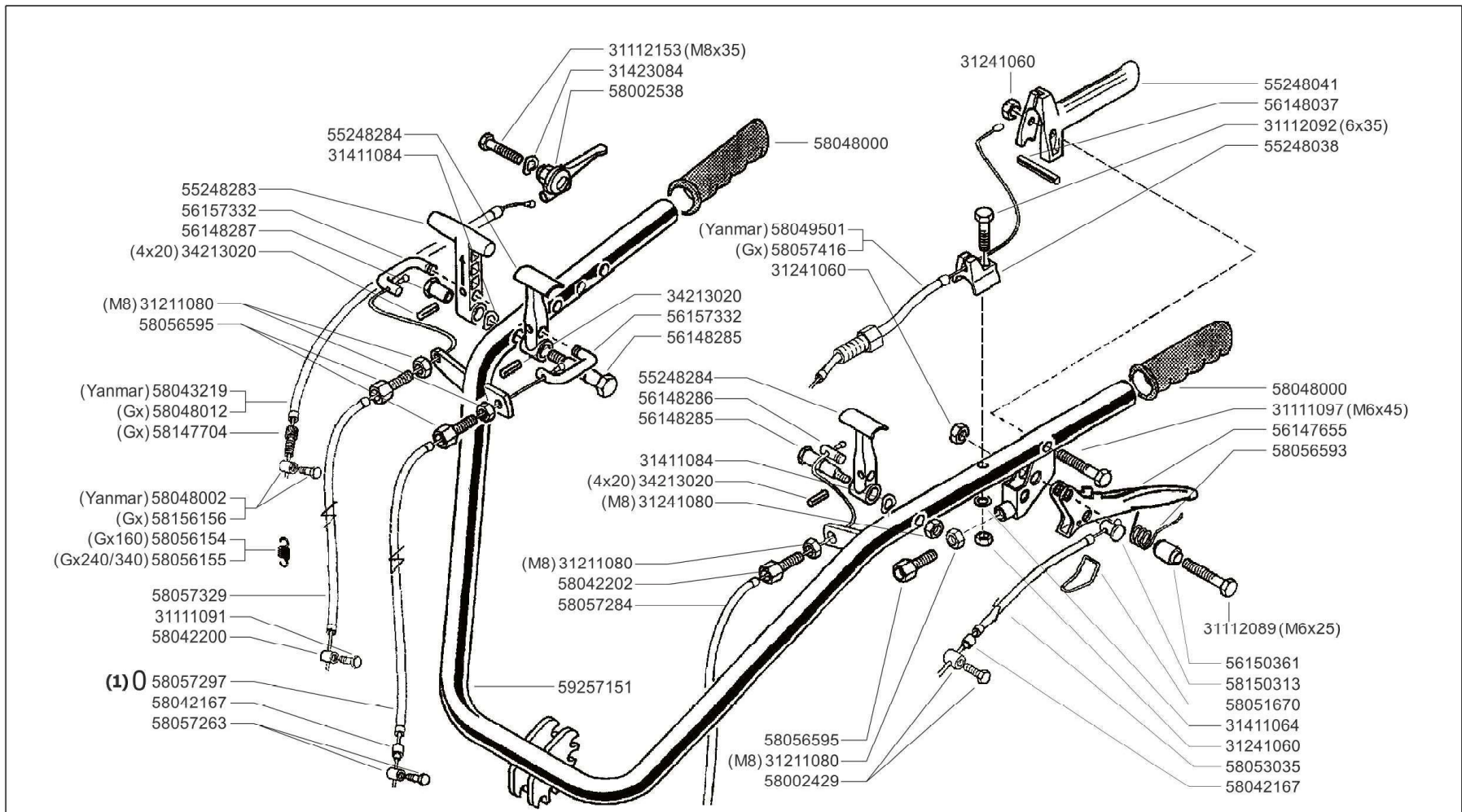
13/04/2021

Page 58 / 94



Pos.	Id	Q.ty	Description	Note
58048000	58048000	1	KNOB D=27	
58048002	58048002	1	CLAMPING SCREW	
58048012	58048012	1	LINE AND SHEATH (L=2020)	
58049501	58049501	1	LINE AND SHEATH (L=1790)	
58051670	58051670	1	CLEVIS	
58053035	58053035	1	LINE AND SHEATH (L=1160)	
58056154	58056154	1	RESTORING SPRING	
58056155	58056155	1	RESTORING SPRING	
58056593	58056593	1	SPRING	
58056595	58056595	1	ADJUSTING SCREW M8	
58057263	58057263	1	CLAMPING SCREW	
58057284	58057284	1	LINE AND SHEATH (L=920)	
58057286	58057286	1	LINE AND SHEATH (L=1230)	
58057329	58057329	1	LINE AND SHEATH (L=980)	
58057416	58057416	1	LINE AND SHEATH M/S L=620 MF/04	
58147704	58147704	1	ADJUSTING SCREW	
58150313	58150313	1	CABLE CLAMP	
58156156	58156156	1	TERMINAL	
59257151	59257151	1	COMPLETE HANDLE BAR	





(1) sostituisce 58057286

	<b>300 TRENDY</b>	<b>MANUBRIO (320-330)</b>		DALLA MACCHINA FROM THE MACHINE DE LA MACHINE DE LA MAQUINA AB DER MASCHINE	AGGIORNAMENTO	<b>I02</b>	Rev.
		HANDLEBAR MANILLAR	MANCHERON LENKER		0N.		REVISION MISE A JOUR APLAZAMIENTO ANPASSUNG
					<b>06/2007</b>		ZB/E



FERRARI Motor mowers, FERRARI 2-wheel tractors - 320 TRENDY  
**I02\_1\_45506 - HANDLEBAR**

Pos.	Id	Q.ty	Description	Note
31111091	31111091	1	SCREW E M6X14 UNI 5739 8G	
31111097	31111097	1	SCREW TE M6X45 UNI 5737 8G	
31112089	31112089	1	SCREW TE M6X25 UNI 5739 8G	
31112092	31112092	1	SCREW TE M6X35 UNI 5739 8G	
31112153	31112153	1	SCREW TE M8X35 UNI 5739 8G	
31211080	31211080	1	NUT M8	
31241060	31241060	1	HEXAGON SELFLOCK NUT M6	
31241080	31241080	1	HEXAGON SELFLOCK NUT M8	
31411064	31411064	1	WASHER 6,4x12,5	
31411084	31411084	1	WASHER 8,4x17	
31423084	31423084	1	SPRING WASHER 8,4	
34213020	34213020	1	ROLL PIN	
55248038	55248038	1	STOP	
55248041	55248041	1	LEVER	
55248283	55248283	1	COMMAND LEVER	
55248284	55248284	1	LEVER	
56147655	56147655	1	CLUTCH LEVER	
56148037	56148037	1	LEVER STOP	
56148285	56148285	1	PIN	
56148286	56148286	1	DRILLED PIN	
56148287	56148287	1	STUD BOLT	
56150361	56150361	1	SPACER	
56157332	56157332	1	U BOLT	
58002429	58002429	1	CLAMPING SCREW	
58002538	58002538	1	ACCELERATOR	
58042167	58042167	1	SHEATH END	
58042200	58042200	1	CLAMPING SCREW	
58042202	58042202	1	ADJUSTING SCREW M8	
58043219	58043219	1	LINE AND SHEATH (L=1850)	



FERRARI Motor mowers, FERRARI 2-wheel tractors - 320 TRENDY

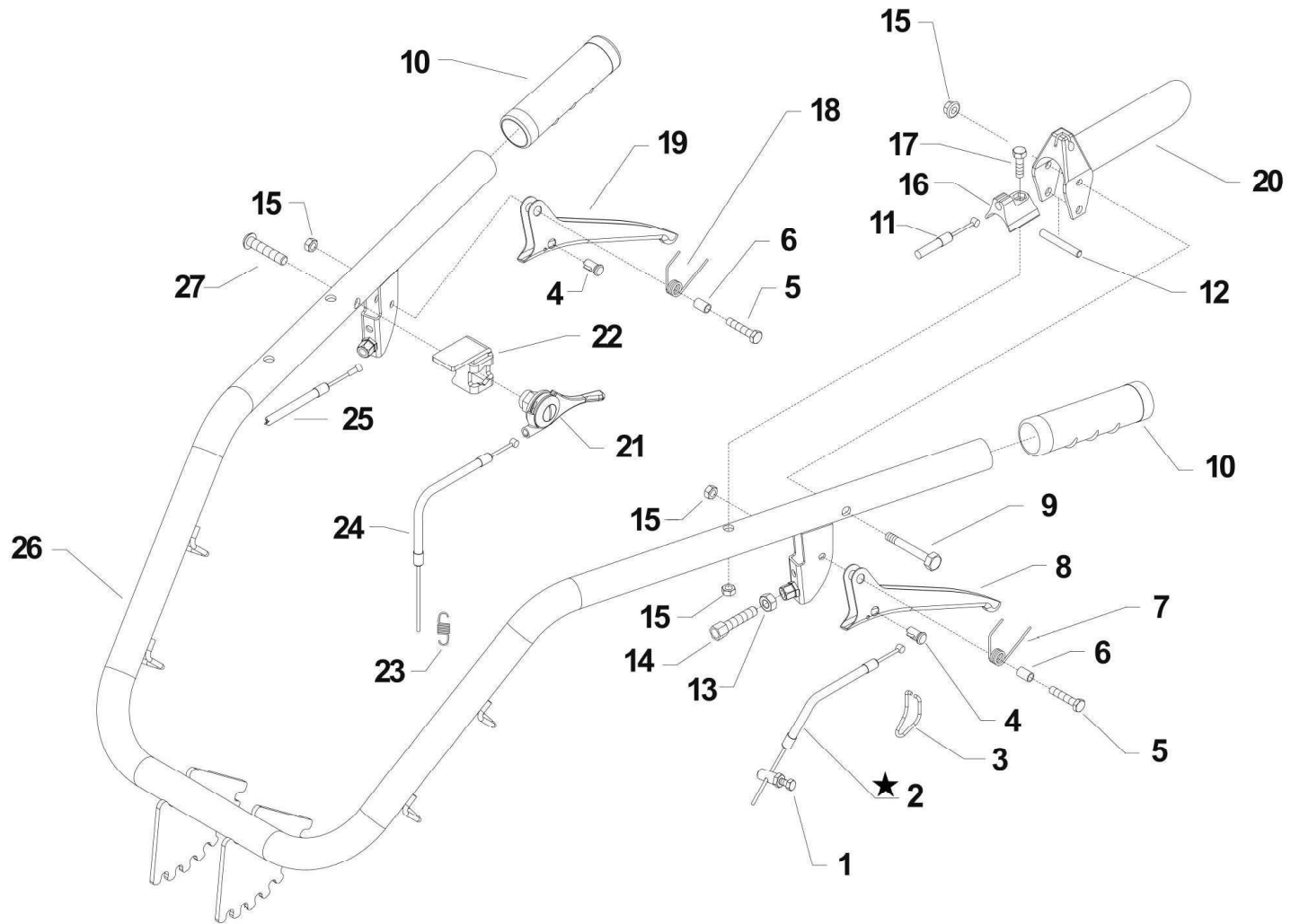
**I02\_1\_45506 - HANDLEBAR**

13/04/2021

Page 61 / 94

Pos.	Id	Q.ty	Description	Note
58048000	58048000	1	KNOB D=27	
58048002	58048002	1	CLAMPING SCREW	
58048012	58048012	1	LINE AND SHEATH (L=2020)	
58049501	58049501	1	LINE AND SHEATH (L=1790)	
58051670	58051670	1	CLEVIS	
58053035	58053035	1	LINE AND SHEATH (L=1160)	
58056154	58056154	1	RESTORING SPRING	
58056155	58056155	1	RESTORING SPRING	
58056593	58056593	1	SPRING	
58056595	58056595	1	ADJUSTING SCREW M8	
58057263	58057263	1	CLAMPING SCREW	
58057284	58057284	1	LINE AND SHEATH (L=920)	
58057297	58057297	1	LINE AND SHEATH (L=1000)	
58057329	58057329	1	LINE AND SHEATH (L=980)	
58057416	58057416	1	LINE AND SHEATH M/S L=620 MF/04	
58147704	58147704	1	ADJUSTING SCREW	
58150313	58150313	1	CABLE CLAMP	
58156156	58156156	1	TERMINAL	
59257151	59257151	1	COMPLETE HANDLE BAR	






**i** = info - stop 2 sec. ★ = new part



FERRARI Motor mowers, FERRARI 2-wheel tractors - 320 TRENDY  
**I.02.01.A0027\_02 - HANDLEBAR**

Pos.	Id	Q.ty	Description	Note
1	58042200		CLAMPING SCREW	
2	58057285		LINE AND SHEATH (L=1130)	REPLACES 58053035
3	58051670		CLEVIS	
4	58150313		CABLE CLAMP	
5	31112089		SCREW TE M6X25 UNI 5739 8G	
6	56156603Z		SPACER	
7	58050345		SPRING	
8	56147655N		CLUTCH LEVER	
9	31111097		SCREW TE M6X45 UNI 5737 8G	
10	58048000		KNOB D=27	
11	58048355		LINE AND SHEATH L-1950	DIESEL
11	58057418		LINE AND SHEATH M/S L=750 MF/04	
12	56148037		LEVER STOP	
13	31211080		NUT M8	
14	58056595		ADJUSTING SCREW M8	
15	31241060		HEXAGON SELFLOCK NUT M6	
16	55248038		STOP	
17	31112092		SCREW TE M6X35 UNI 5739 8G	
18	58056593		SPRING	
19	56148470N		LEVER	
20	55248041		LEVER	
21	58002538		ACCELERATOR	
22	56156874N		PANEL	
23	58056154		RESTORING SPRING	GX200
23	58056155		RESTORING SPRING	GX240/GX270/GX340
24	58056815		LINE AND SHEATH L=1950	GX200/GX270
25	58056193		TRANSMISSION	
26	59257162		HANDLE BAR	
27	31121020		SCREW TBCEI M8X40 ISO7380 10K Z	

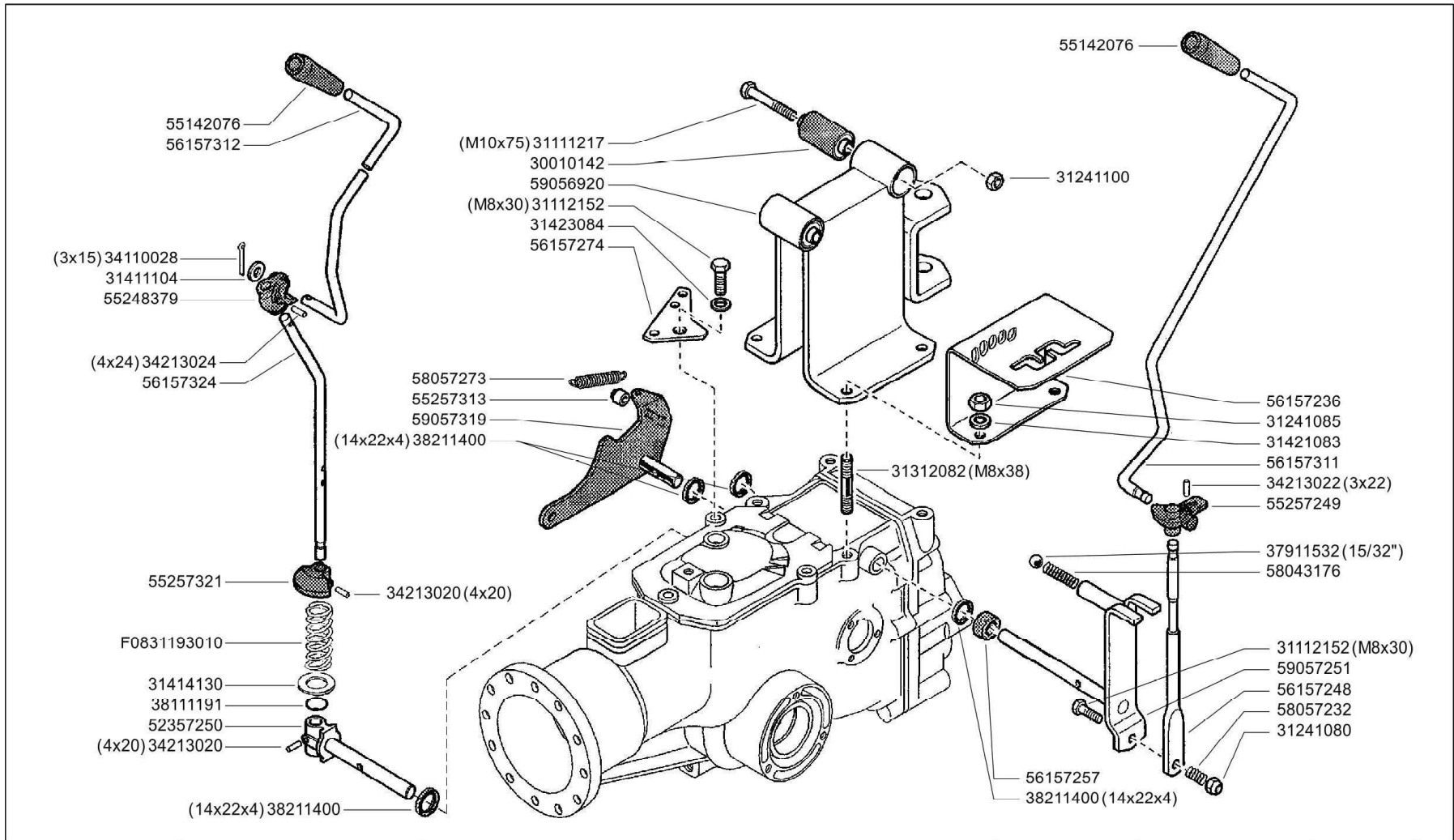


FERRARI Motor mowers, FERRARI 2-wheel tractors - 320 TRENDY

**I.02.01.A0027\_02 - HANDLEBAR**

13/04/2021

Page 64 / 94



	<b>300 TRENDY</b>	<b>COMANDI (320-330)</b>		DALLA MACCHINA FROM THE MACHINE DE LA MACHINE DE LA MAQUINA AB DER MASCHINE	Rev.	<b>J02 0</b>
		CONTROLS MANDOS	COMMANDES ANTRIEBE		N.	

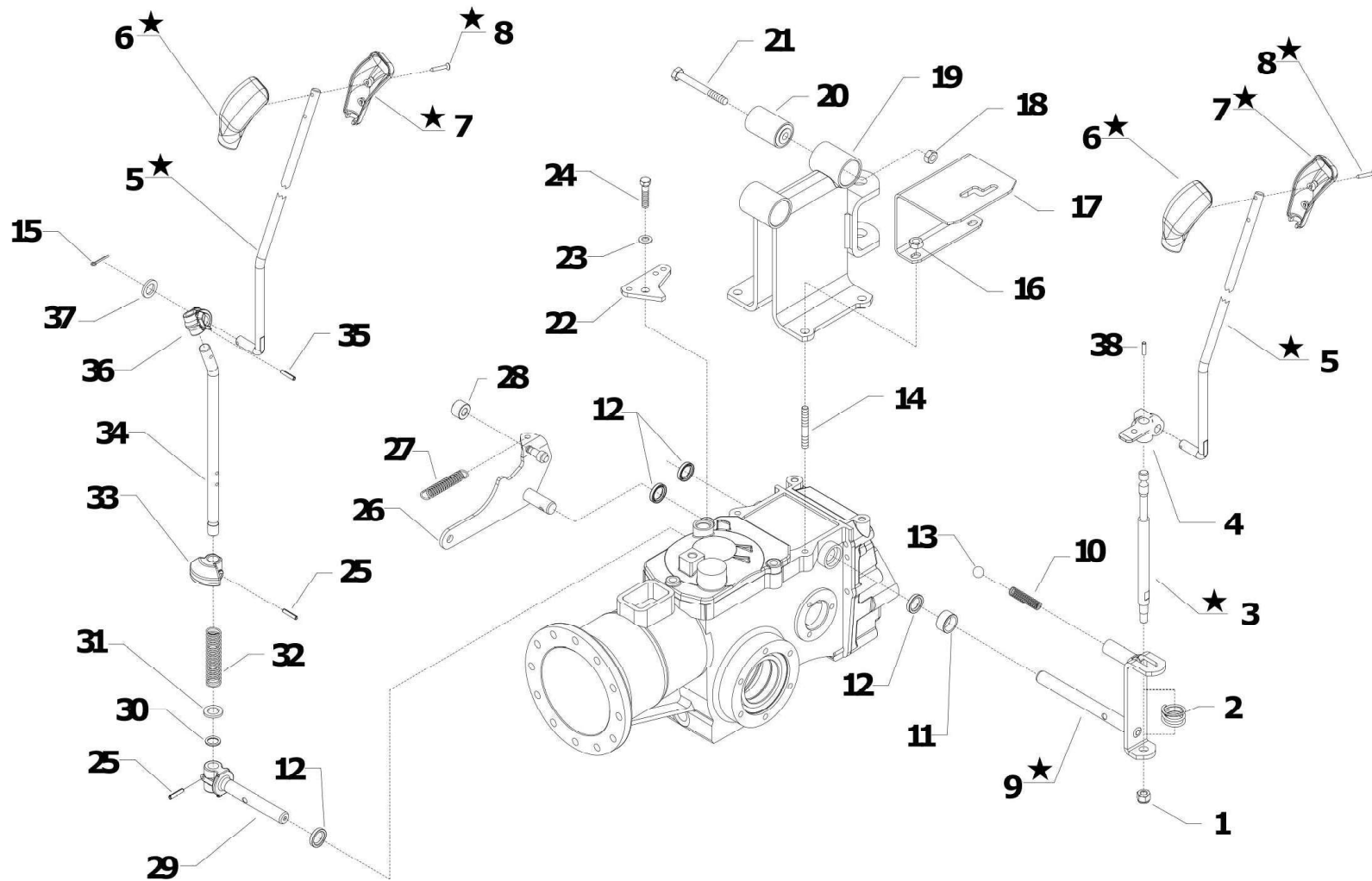
Pos.	Id	Q.ty	Description	Note
30010142	30010142	1	SILENT-BLOCK 10,2X30X45X49	
31111217	31111217	1	SCREW TE M10X75 UNI 5737 8G	
31112152	31112152	1	SCREW TE M8X30 UNI 5739 8G	
31241080	31241080	1	HEXAGON SELFLOCK NUT M8	
31241085	31241085	1	SELFLOCK NUT M8 6S	
31241100	31241100	1	SELFLOCK HEXAGON NUT M10	
31312082	31312082	1	STUD BOLT M8X38X14X20	
31411104	31411104	1	WASHER 10,5x18	
31414130	31414130	1	WASHER 13	
31421083	31421083	1	WASHER	
31423084	31423084	1	SPRING WASHER 8,4	
34110028	34110028	1	SPLIT PIN A3X15 UNI 1336	
34213020	34213020	1	ROLL PIN	
34213022	34213022	1	ROLL PIN	
34213024	34213024	1	ROLL PIN	
37911532	37911532	1	BALL 15/32	
38111191	38111191	1	O-RING 115 (11,91X2,62)	
38211400	38211400	1	OIL SEAL 14X22X4	
52357250	52357250	1	PIN	
55142076	55142076	1	KNOB	
55248379	55248379	1	PTO JOINT	
55257249	55257249	1	3+2 GEARBOX JOINT	
55257313	55257313	1	ROLLER	
55257321	55257321	1	STOP	
56157236	56157236	1	GEAR SELECTOR	
56157248	56157248	1	COMMAND LEVER	
56157257	56157257	1	SPACER	
56157274	56157274	1	SQUARE	
56157311	56157311	1	GEARSHIFT ROD	





Pos.	Id	Q.ty	Description	Note
56157312	56157312	1	ROD	
56157324	56157324	1	PTO LEVER	
58043176	58043176	1	SPRING	
58057232	58057232	1	SPRING	
58057273	58057273	1	SPRING	
59056920	59056920	1	SUPPORT	
59057251	59057251	1	GEAR LEVER	
59057319	59057319	1	LEVER	
F0831193010	F0831193010	1	SPRING DM.15X70	





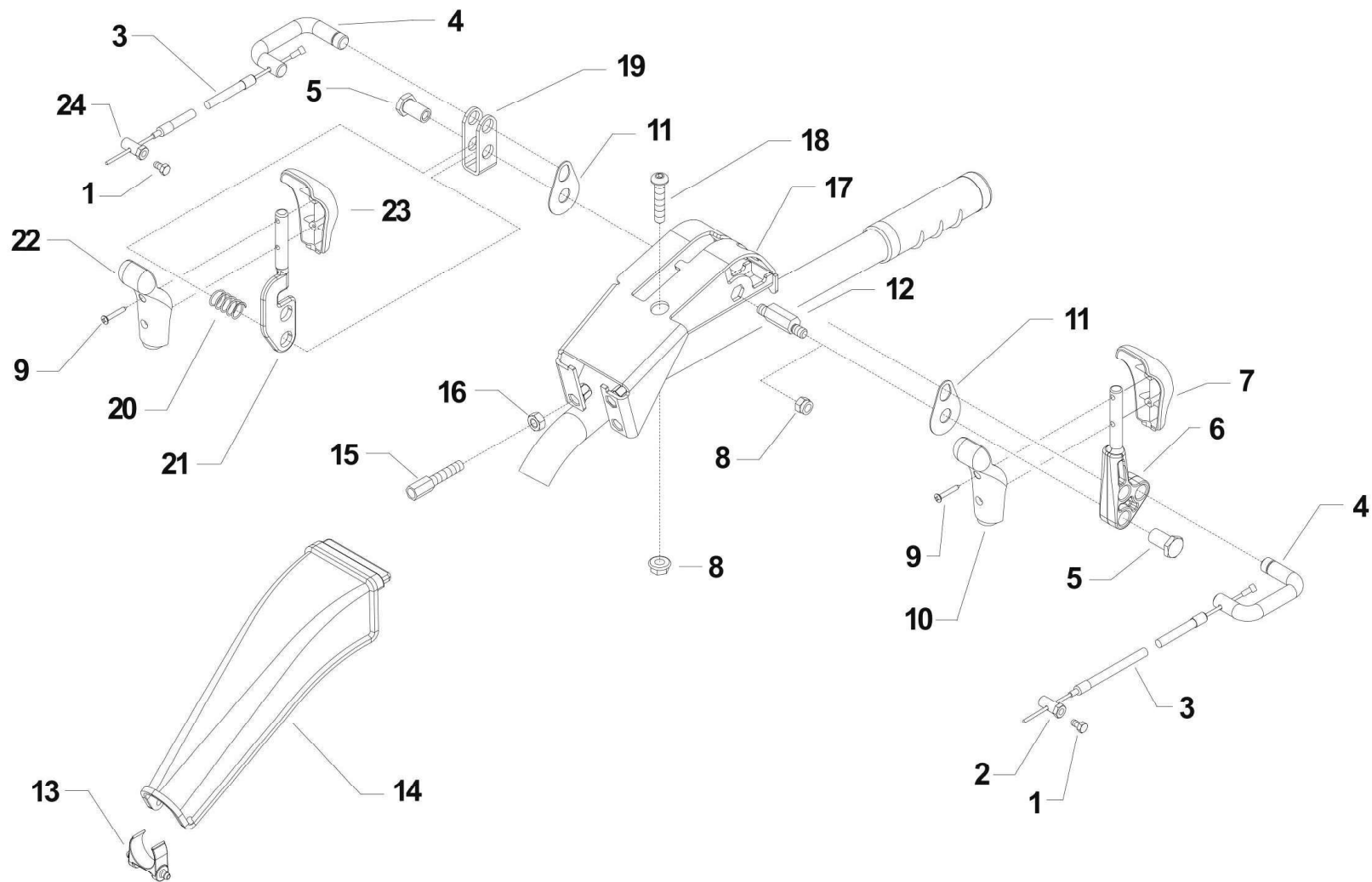
i = info - stop 2 sec. ★ = new part

Pos.	Id	Q.ty	Description	Note
1	31241080		HEXAGON SELFLOCK NUT M8	
2	58057232Z		SPRING	
3	563C1005Z		COMMAND LEVER	REPLACES 56157248N + 59057251N
4	55257249		3+2 GEARBOX JOINT	
5	56157423Z		GEARSHIFT ROD	
6	55157212		GRIP	
7	55157213		GRIP	
8	31100451		SCREW 3,5X25	
9	59056735N		GEAR LEVER	REPLACES 56157248N + 59057251N
10	58043176		SPRING	
11	56157257Z		SPACER	
12	38211400		OIL SEAL 14X22X4	
13	37911532		BALL 15/32	
14	31312082		STUD BOLT M8X38X14X20	
15	34110028		SPLIT PIN A3X15 UNI 1336	
16	31241084		SELFLOCK NUT M8 6S	
17	56157236H		GEAR SELECTOR	
18	31241100		SELFLOCK HEXAGON NUT M10	
19	59056920		SUPPORT	
20	30010142		SILENT-BLOCK 10,2X30X45X49	
21	31111217		SCREW TE M10X75 UNI 5737 8G	
22	56157274		SQUARE	
23	31423084		SPRING WASHER 8,4	
24	31112152		SCREW TE M8X30 UNI 5739 8G	
25	34213020		ROLL PIN	
26	59057319		LEVER	
27	58057273		SPRING	
28	55257313		ROLLER	
29	52357250		PIN	



Pos.	Id	Q.ty	Description	Note
30	38111191		O-RING 115 (11,91X2,62)	
31	31414130		WASHER 13	
32	F0831193010		SPRING DM.15X70	
33	55257321		STOP	
34	56157324N		PTO LEVER	
35	34213024		ROLL PIN	
36	55248379		PTO JOINT	
37	31411104		WASHER 10,5x18	
38	34213022		ROLL PIN	






**i** = info - stop 2 sec. ★ = new part

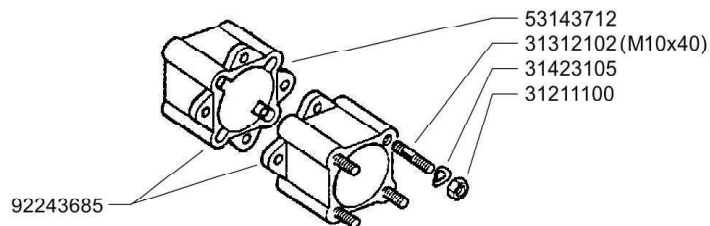
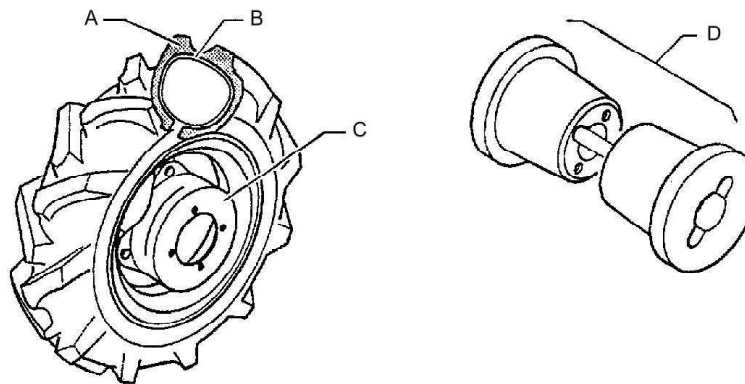


FERRARI Motor mowers, FERRARI 2-wheel tractors - 320 TRENDY  
**J.04.01.A0027\_00 - HANDLEBAR CONTROLS**

Pos.	Id	Q.ty	Description	Note
1	31112090		SCREW TE M6X16 UNI 5739 8G	
2	56356840Z		CLAMPING SCREW	
3	58056848		LINE AND SHEATH L=930	
4	56156832Z		U BOLT	
5	56148287		STUD BOLT	
6	53156860		COMMAND LEVER	
7	55157212		GRIP	
8	31241084		SELFLOCK NUT M8 6S	
9	31100451		SCREW 3,5X25	
10	55157213		GRIP	
11	56356833Z		SMALL PLATE	
12	56356858Z		PIN	
13	55256836		SUPPORT, ELECTRICAL BOX	
14	55256835		PROTECTION COVER	
15	58056595		ADJUSTING SCREW M8	
16	31211080		NUT M8	
17	59256850		SUPPORT	
18	31121020		SCREW TBCEI M8X40 ISO7380 10K Z	
19	56156859Z		FORK	
20	58049830		SPRING	
21	52156810Z		COMMAND LEVER	
22	55157215		GRIP	
23	55157214		GRIP	
24	58042200		CLAMPING SCREW	



	A	B	C	D
3.50 - 8"	39113502	39413502	58052326	92243686 (Kg.10)
4.00 - 8"	39114008	39414008	58052326	92243686 (Kg.10)
4.0 - 10"	39114010	39414010	58052327	92248715 (Kg.15)
5.0 - 10"	39115010	39415010	58052327	92248715 (Kg.15)
5.00 - 12"	39115012	39415012	58052328	92248720 (Kg.34)



<b>FERRARI</b>	<b>300 TRENDY</b>	<b>RUOTE</b>		DALLA MACCHINA FROM THE MACHINE DE LA MACHINE DE LA MAQUINA AB DER MASCHINE	N.	K01	Rev.
		WHEELS RUEDAS	ROUES RÄDER				0
						11/2006	ZBVE



Pos.	Id	Q.ty	Description	Note
31211100	31211100	1	NUT M10	
31312102	31312102	1	STUD BOLT M10X40X24X12	
31423105	31423105	1	SPRING WASHER 10,5	
39113502	39113502	1	TYRE 3.50-8 2PR	
39114008	39114008	1	TYRE 4.00-8 2PR	
39114010	39114010	1	TYRE 4.0-10 2PR	
39115010	39115010	1	TYRE 5.00-10 2PR	
39115012	39115012	1	TYRE 5.00-12 2PR	
39413502	39413502	1	INNER TUBE X 3.50-8	
39414008	39414008	1	INNER TUBE X 4.00-8	
39414010	39414010	1	INNER TUBE x 4.0-10	
39415010	39415010	1	INNER TUBE X 4.0/5.0-10	
39415012	39415012	1	INNER TUBE	
53143712	53143712	1	SPACER	
58052326	58052326	1	RIM	
58052327	58052327	1	RIM	
58052328	58052328	1	RIM 5JA12 RAL 1003	
92243685	92243685	1	WHEEL SPACERS CM 6 (PAIR)	
92243686	92243686	1	PAIR OF WEIGHTS FOR 8 WHEELS 11 KGS	
92248715	92248715	1	WEIGHTS FOR WHEELS 10 EACH KG 15 (PAIR)	
92248720	92248720	1	WEIGHTS FOR WHEELS 12 KG 34 EACH (PAIR)	



FERRARI Motor mowers, FERRARI 2-wheel tractors - 320 TRENDY

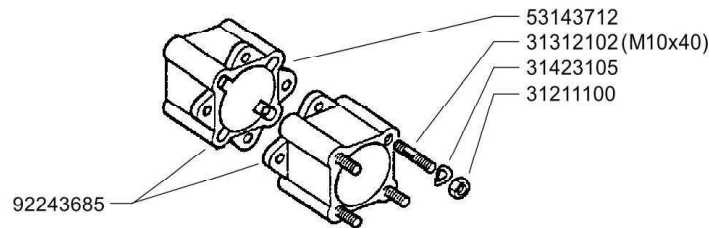
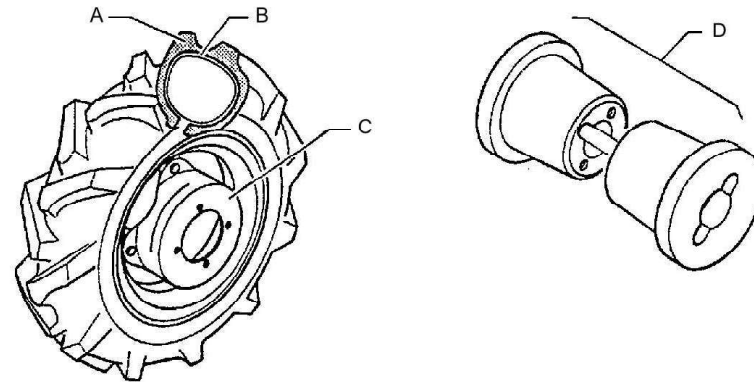
**K01\_0\_27513 - WHEELS**

13/04/2021

Page 74 / 94



	A	B	C	D	
0	3.50 - 8"	39113502	39413502	58052326	92243686 (Kg.10)
0	4.00 - 8"	39114008	39414008	58052326	92243686 (Kg.10)
0	4.0 - 10'	39114010	39414010	58052288 (FIX)	/
0	4.0 - 10'	39114010	39414010	58052327	92248715 (Kg.15)
0	5.0 - 10'	39115010	39415010	58052288 (FIX)	/
0	5.0 - 10'	39115010	39415010	58052327	92248715 (Kg.15)
0	5.00 - 12"	39115012	39415012	58052328	92248720 (Kg.34)
0	6,5/80 - 12"	39116018	39416018	58052328	92480721 (Kg.34)



<b>FERRARI</b>	<b>300 TRENDY</b>	<b>RUOTE</b>		DALLA MACCHINA FROM THE MACHINE DE LA MACHINE DE LA MAQUINA AB DER MASCHINE	AGGIORNAMENTO	<b>K01</b>	Rev.
		WHEELS	ROUES		REVISION		1
		RUEDAS	RÄDER	<b>ON.</b>	MISE A JOUR	<b>10/2008</b>	
					ANPAZUNG		



FERRARI Motor mowers, FERRARI 2-wheel tractors - 320 TRENDY

K01\_1\_60913 - WHEELS

13/04/2021

Page 75 / 94

Pos.	Id	Q.ty	Description	Note
31211100	31211100	1	NUT M10	
31312102	31312102	1	STUD BOLT M10X40X24X12	
31423105	31423105	1	SPRING WASHER 10,5	
39113502	39113502	1	TYRE 3.50-8 2PR	
39114008	39114008	1	TYRE 4.00-8 2PR	
39114010	39114010	1	TYRE 4.0-10 2PR	
39115010	39115010	1	TYRE 5.00-10 2PR	
39115012	39115012	1	TYRE 5.00-12 2PR	
39116018	39116018	1	TYRE 6.5/80-12 2PR	
39413502	39413502	1	INNER TUBE X 3.50-8	
39414008	39414008	1	INNER TUBE X 4.00-8	
39414010	39414010	1	INNER TUBE x 4.0-10	
39415010	39415010	1	INNER TUBE X 4.0/5.0-10	
39415012	39415012	1	INNER TUBE	
39416018	39416018	1	INNER TUBE X 6-5/80-12	
53143712	53143712	1	SPACER	
58052288	58052288	1	RIM 3.50 D10 C/F 1003	
58052326	58052326	1	RIM	
58052327	58052327	1	RIM	
58052328	58052328	1	RIM 5JA12 RAL 1003	
92243685	92243685	1	WHEEL SPACERS CM 6 (PAIR)	
92243686	92243686	1	PAIR OF WEIGHTS FOR 8 WHEELS 11 KGS	
92248715	92248715	1	WEIGHTS FOR WHEELS 10 EACH KG 15 (PAIR)	
92248720	92248720	1	WEIGHTS FOR WHEELS 12 KG 34 EACH (PAIR)	
92480721	92480721	1	WEIGHTS KG. 34 FOR WHEELS 5.00-12 / 6.5/80-12 (PAIR) (0901012307)	

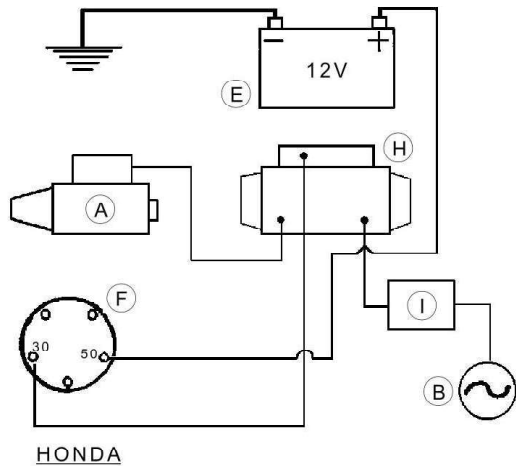


FERRARI Motor mowers, FERRARI 2-wheel tractors - 320 TRENDY

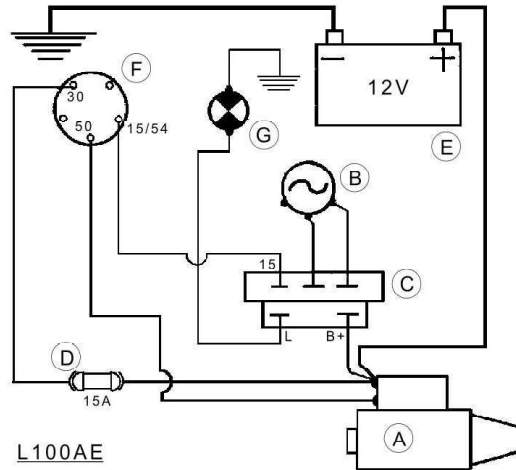
**K01\_1\_60913 - WHEELS**

13/04/2021

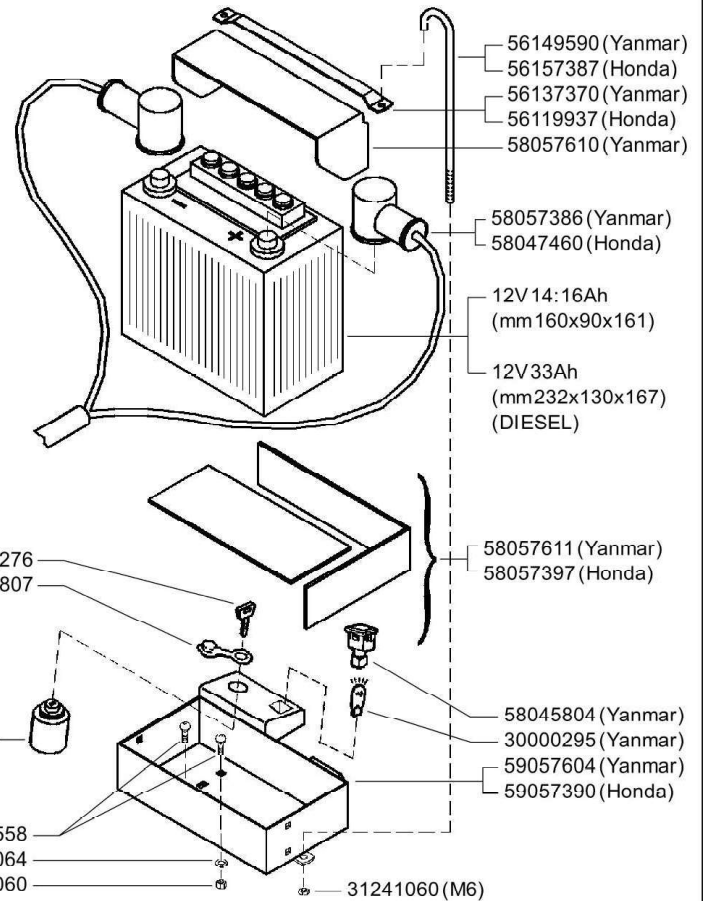
Page 76 / 94



HONDA



L100AE



A	B	C	D
MOTORINOD'AVVIAMENTO STARTER DÉMARREUR MOT. DE ARRANQUE ANLASSMOTOR	GENERATORE GENERATOR GÉNÉRATEUR GENERADOR GENERATOR	REGOLATORE REGULATOR RÉGULATEUR REGULADOR REGLER	FUSIBILI FUSES FUSIBLES FUSIBLES SCHMELZSICHERUNGEN

E	F	G	H	I
BATTERIA BATTERY BATTERIE BATERIA BATTERIE	INTERRUTTORE SWITCH INTERRUPTEUR INTERRUPTOR SCHALTER	SPIA CARICABATTERIA BATTERY LONG WARN. LIGHT TEMOIN CHARG. BATTERIE LUZ CARGA BATERIA BATTERIELADUNGKTRL. LAMPE	SOLENOIDE SOLENOID SOLÉNOÏDE SOLENOIDE SOLENOID	DIODO DIODE DIODE DIODO DIODE

- (Yanmar) 30000276
- 58045807
- 56149590 (Yanmar)
- 56157387 (Honda)
- 56137370 (Yanmar)
- 56119937 (Honda)
- 58057610 (Yanmar)
- 58057386 (Yanmar)
- 58047460 (Honda)
- 12V 14: 16Ah  
(mm 160x90x161)
- 12V 33Ah  
(mm 232x130x167)  
(DIESEL)
- 58057611 (Yanmar)
- 58057397 (Honda)
- 58045804 (Yanmar)
- 30000295 (Yanmar)
- 59057604 (Yanmar)
- 59057390 (Honda)
- 31121558
- 31411064
- 31241060
- 31241060 (M6)

		<b>AVVIAMENTO ELETTRICO (320-330)</b>		DALLA MACCHINA FROM THE MACHINE DE LA MACHINE DE LA MAQUINA AB DER MASCHINE	Rev.
		ELECTRIC STARTER ARRANQUE ELECTRICO	DÉMARRAGE ÉLECTRIQUE ELEKTROSTART		N.
				11/2006	

Pos.	Id	Q.ty	Description	Note
30000276	30000276	1	KEY	
30000277	30000277	1	SWITCH	
30000295	30000295	1	LAMP 12V-5W-W2,1X9,5D	
31121558	31121558	1	SCREW TTQ M6X16 UNI 5731	
31241060	31241060	1	HEXAGON SELFLOCK NUT M6	
31411064	31411064	1	WASHER 6,4x12,5	
56119937	56119937	1	BATTERY SUPPORT	
56137370	56137370	1	BATTERY BRACKET	
56149590	56149590	1	BATTERY BRACKET	
56157387	56157387	1	ROD	
58045804	58045804	1	WARNING LIGHT	
58045807	58045807	1	LOCK COVER	
58047460	58047460	1	WIRING	
58057386	58057386	1	WIRING	
58057397	58057397	1	KIT	
58057610	58057610	1	BOX	
58057611	58057611	1	KIT	
59057390	59057390	1	BOX	
59057604	59057604	1	BOX	

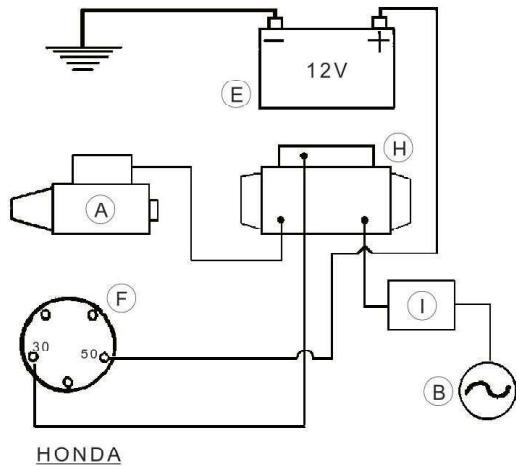


FERRARI Motor mowers, FERRARI 2-wheel tractors - 320 TRENDY

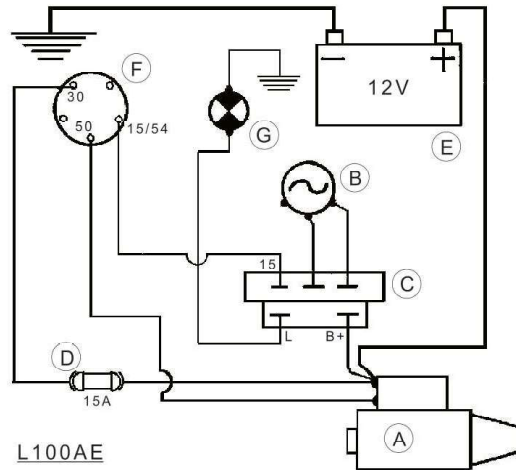
**L01\_0\_27535 - ELECTRIC STARTER**

13/04/2021

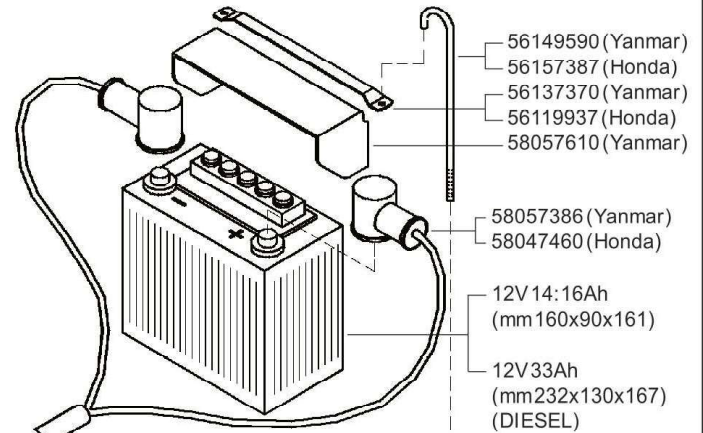
Page 78 / 94



HONDA



L100AE



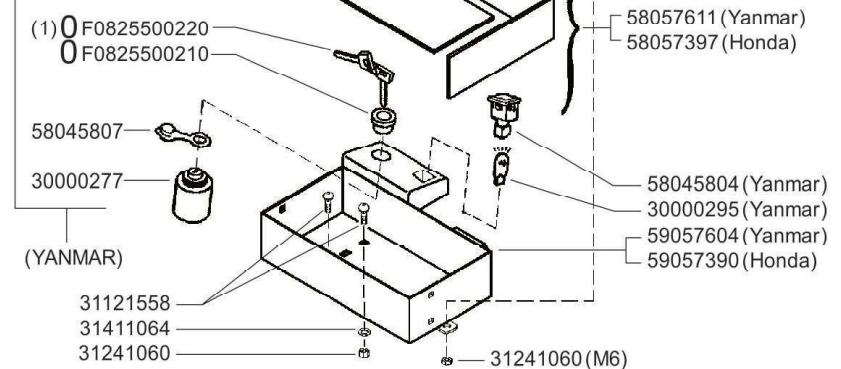
56149590 (Yanmar)  
56157387 (Honda)  
56137370 (Yanmar)  
56119937 (Honda)  
58057610 (Yanmar)

58057386 (Yanmar)  
58047460 (Honda)

12V 14:16Ah  
(mm 160x90x161)

12V 33Ah  
(mm 232x130x167)  
(DIESEL)

58057611 (Yanmar)  
58057397 (Honda)



(1) F0825500220  
F0825500210

58045807  
30000277  
(YANMAR)

31121558  
31411064  
31241060

58045804 (Yanmar)  
30000295 (Yanmar)  
59057604 (Yanmar)  
59057390 (Honda)

31241060 (M6)

A	B	C	D
MOTORINOD'AVVIAMENTO STARTER DÉMARREUR MOT. DEARRANQUE ANLASSMOTOR	GENERATORE GENERATOR GÉNÉRATEUR GENERADOR GENERATOR	REGOLATORE REGULATOR RÉGULATEUR REGULADOR REGLER	FUSIBILI FUSES FUSIBLES FUSIBLES SCHMELZSICHERUNGEN

E	F	G	H	I
BATTERIA BATTERY BATTERIE BATERIA BATTERIE	INTERRUTTORE SWITCH INTERRUPTEUR INTERRUPTOR SCHALTER	SPIACARICABATTERIA BATTERY LONG WARN. LIGHT TEMOIN CHARG. BATTERIE LUZ CARGA BATERIA BATTERIE LADUNG KTRL. LAMPE	SOLENOIDE SOLENOID SOLÉNOÏDE SOLENOIDE SOLENOID	DIODO DIODE DIODE DIODE DIODE

(1) sostituisce 30000276

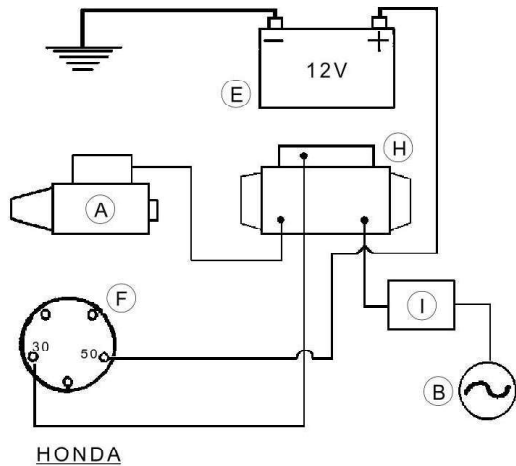
		<b>AVVIAMENTO ELETTRICO (320 - 330)</b>		DALLA MACCHINA FROM THE MACHINE DE LA MACHINE DE LA MAQUINA AB DER MASCHINE	AGGIORNAMENTO	<b>L01</b>	Rev.
		ELECTRIC STARTER ARRANQUE ELECTRICO	DÉMARRAGE ÉLECTRIQUE ELEKTROSTART		REVISION MISE A JOUR APLAZAMIENTO ANPASSUNG		<b>1</b>
				<b>ON.</b>	<b>01/2007</b>		ZBVE



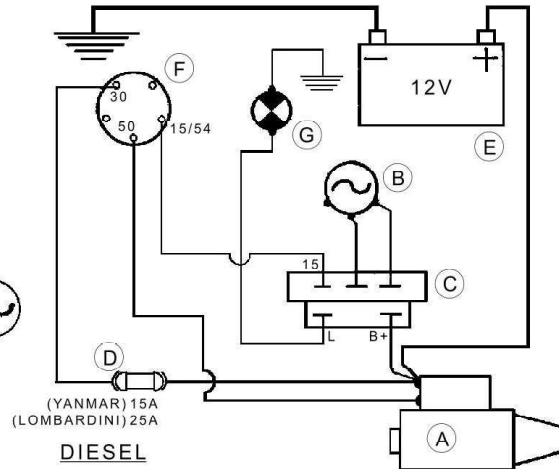
FERRARI Motor mowers, FERRARI 2-wheel tractors - 320 TRENDY  
L01\_1\_33613 - ELECTRIC STARTER

Pos.	Id	Q.ty	Description	Note
30000277	30000277	1	SWITCH	
30000295	30000295	1	LAMP 12V-5W-W2,1X9,5D	
31121558	31121558	1	SCREW TTQ M6X16 UNI 5731	
31241060	31241060	1	HEXAGON SELFLOCK NUT M6	
31411064	31411064	1	WASHER 6,4x12,5	
56119937	56119937	1	BATTERY SUPPORT	
56137370	56137370	1	BATTERY BRACKET	
56149590	56149590	1	BATTERY BRACKET	
56157387	56157387	1	ROD	
58045804	58045804	1	WARNING LIGHT	
58045807	58045807	1	LOCK COVER	
58047460	58047460	1	WIRING	
58057386	58057386	1	WIRING	
58057397	58057397	1	KIT	
58057610	58057610	1	BOX	
58057611	58057611	1	KIT	
59057390	59057390	1	BOX	
59057604	59057604	1	BOX	
F0825500210	F0825500210	1	RING NUT	
F0825500220	F0825500220	1	KEY	



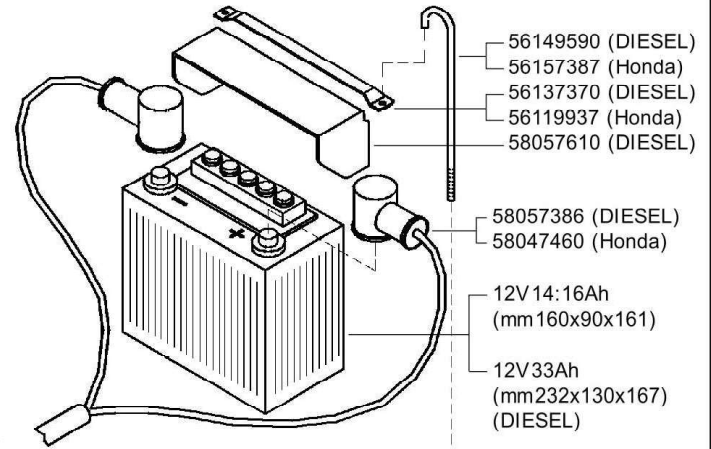


HONDA



(YANMAR) 15A  
(LOMBARDINI) 25A

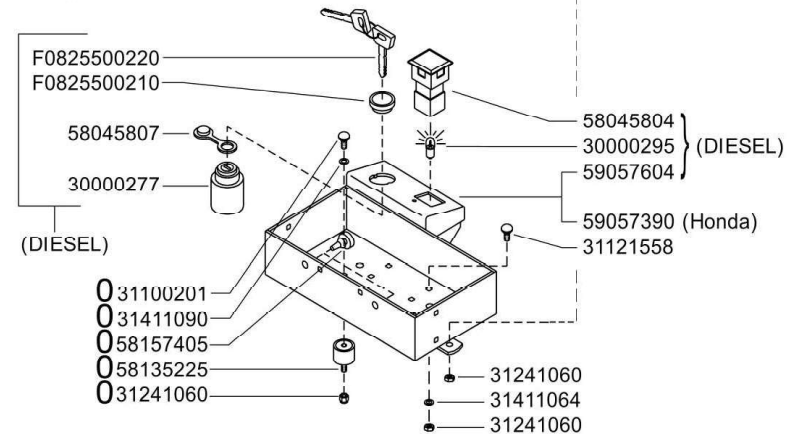
DIESEL



- 56149590 (DIESEL)
- 56157387 (Honda)
- 56137370 (DIESEL)
- 56119937 (Honda)
- 58057610 (DIESEL)
- 58057386 (DIESEL)
- 58047460 (Honda)
- 12V 14:16Ah  
(mm 160x90x161)
- 12V 33Ah  
(mm 232x130x167)  
(DIESEL)

A	B	C	D
MOTORINOD'AVVIAMENTO STARTER DÉMARREUR MOT. DE ARRANQUE ANLASSMOTOR	GENERATORE GENERATOR GÉNÉRATEUR GENERADOR GENERATOR	REGOLATORE REGULATOR RÉGULATEUR REGULADOR REGLER	FUSIBILI FUSES FUSIBLES FUSIBLES SCHMELZSICHERUNGEN

E	F	G	H	I
BATTERIA BATTERY BATTERIE BATERIA BATTERIE	INTERRUTTORE SWITCH INTERRUPTEUR INTERRUPTOR SCHALTER	SPIACARICABATTERIA BATTERY LONG WARN. LIGHT TEMOIN CHARG. BATTERIE LUZ CARGA BATERIA BATTERIE LADUNG KTRL. LAMPE	SOLENOIDE SOLENOID SOLÉNOÏDE SOLENOIDE SOLENOID	DIODO DIODE DIODE DIODO DIODE



- F0825500220
- F0825500210
- 58045807
- 30000277
- 58045804
- 30000295 (DIESEL)
- 59057604
- 59057390 (Honda)
- 31121558
- 31241060
- 31411064
- 31241060
- 31100201
- 31411090
- 58157405
- 58135225
- 31241060

(1) sostituisce 30000276

		<b>AVVIAMENTO ELETTRICO (320-330-340)</b>		DALLA MACCHINA FROM THE MACHINE DE LA MACHINE DE LA MAQUINA AB DER MASCHINE	Rev. <b>2</b>
		ELECTRIC STARTER ARRANQUE ELECTRICO	DÉMARRAGE ÉLECTRIQUE ELEKTROSTART		
				(320) 823723 (330) 823957	<b>10/2008</b>

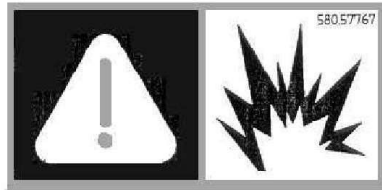


FERRARI Motor mowers, FERRARI 2-wheel tractors - 320 TRENDY  
L01\_2\_60940 - ELECTRIC STARTER

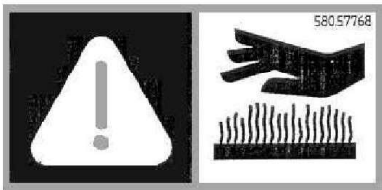
Pos.	Id	Q.ty	Description	Note
30000277	30000277	1	SWITCH	
30000295	30000295	1	LAMP 12V-5W-W2,1X9,5D	
31100201	31100201	1	SCREW TTQ M6X12 UNI 5731	
31121558	31121558	1	SCREW TTQ M6X16 UNI 5731	
31241060	31241060	1	HEXAGON SELFLOCK NUT M6	
31411064	31411064	1	WASHER 6,4x12,5	
31411090	31411090	1	WASHER 9x24	
56119937	56119937	1	BATTERY SUPPORT	
56137370	56137370	1	BATTERY BRACKET	
56149590	56149590	1	BATTERY BRACKET	
56157387	56157387	1	ROD	
58045804	58045804	1	WARNING LIGHT	
58045807	58045807	1	LOCK COVER	
58047460	58047460	1	WIRING	
58057386	58057386	1	WIRING	
58057610	58057610	1	BOX	
58135225	58135225	1	VIBRATION-DAMPING	
58157405	58157405	1	PLUG	
59057390	59057390	1	BOX	
59057604	59057604	1	BOX	
F0825500210	F0825500210	1	RING NUT	
F0825500220	F0825500220	1	KEY	







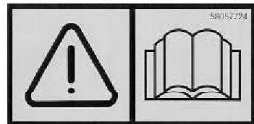
58057767



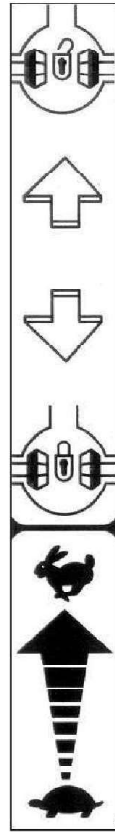
58057768



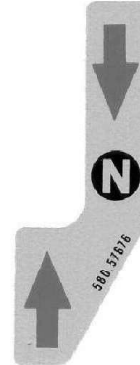
58046912



58057724



58057688



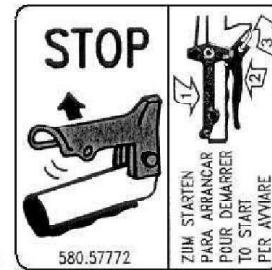
58057676



58057678



58057677



58057772



58057770

N.


Rev.	0
M01	0
11/2006	

ZBVE

**FERRARI**

**300 TRENDY**

**ADESIME**

STICKERS  
ADHESIVOS

AUTOCOLLANTS  
AUFKLEBES

DALLA MACCHINA  
FROM THE MACHINE  
DE LA MACHINE  
DE LA MAQUINA  
AB DER MASCHINE

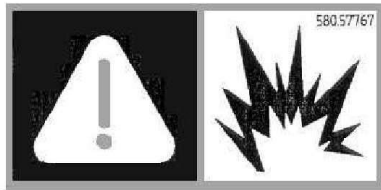


Pos.	Id	Q.ty	Description	Note
58046912	58046912	1	DECAL	
58057676	58057676	1	DECAL	
58057677	58057677	1	DECAL	
58057678	58057678	1	DECAL	
58057688	58057688	1	DECAL	
58057724	58057724	1	DECAL	
58057767	58057767	1	DECAL	
58057768	58057768	1	DECAL	
58057770	58057770	1	DECAL	
58057772	58057772	1	DECAL	

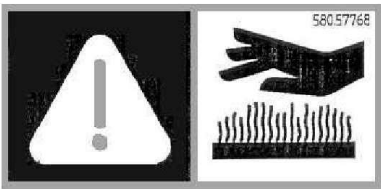


FERRARI Motor mowers, FERRARI 2-wheel tractors - 320 TRENDY

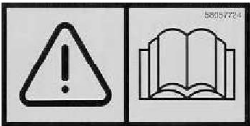
M01\_0\_27555 - STICKERS



58057767



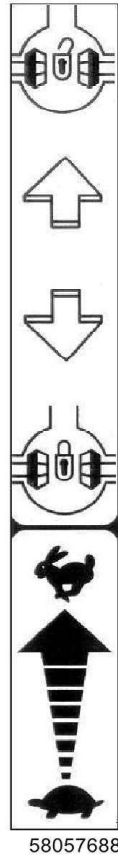
58057768



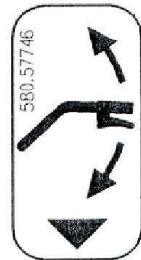
58057724



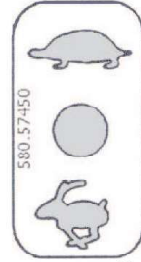
58057770



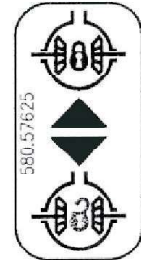
58057688



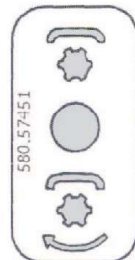
58057746 0



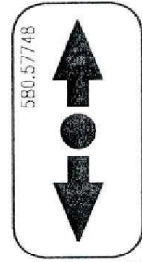
58057450 0



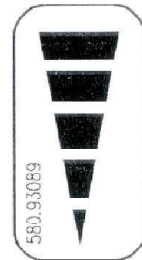
58057625 0



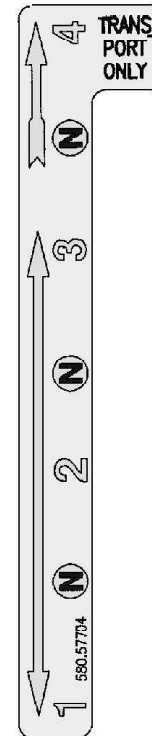
58057451 0



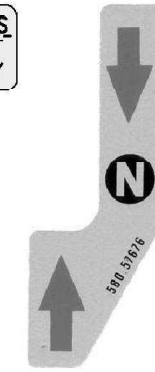
58057748 0



58093089 0



58057704 0



58057676



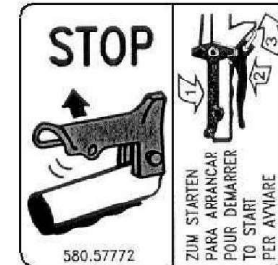
58057678



58057677



58046912



58057772

**FERRARI**

**300 TRENDY**

**ADESIME**

STICKERS  
ADHESIVOS

AUTOCOLLANTS  
AUFKLEBES

DALLA MACCHINA  
FROM THE MACHINE  
DE LA MACHINE  
DE LA MAQUINA  
AB DER MASCHINE

**0 N.**

AGGIORNAMENTO  
REVISION  
MISE A JOUR  
APLAZAMIENTO  
ANPASSUNG

**M01** 1  
**10/2008**

Rev.

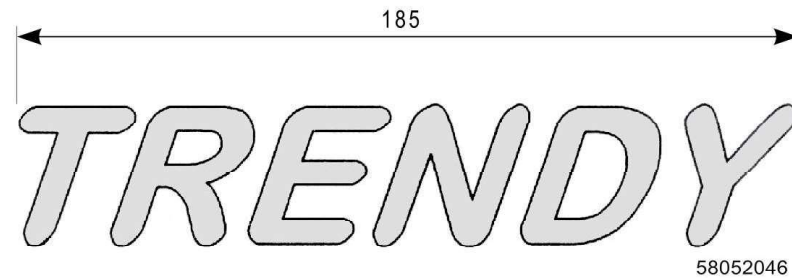
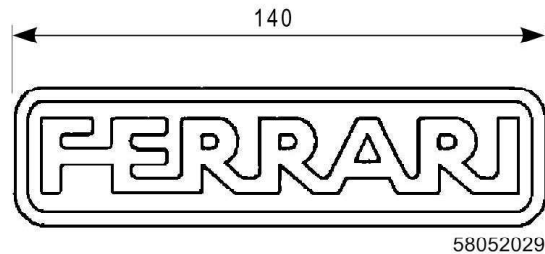
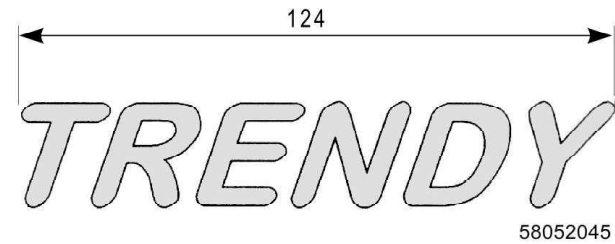
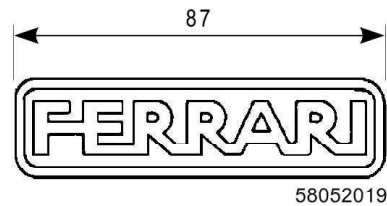
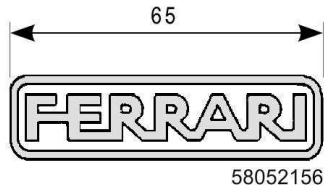
ZBVE

Pos.	Id	Q.ty	Description	Note
58046912	58046912	1	DECAL	
58057450	58057450	1	DECAL	
58057451	58057451	1	DECAL	
58057625	58057625	1	DECAL	
58057676	58057676	1	DECAL	
58057677	58057677	1	DECAL	
58057678	58057678	1	DECAL	
58057688	58057688	1	DECAL	
58057704	58057704	1	DECAL	
58057724	58057724	1	DECAL	
58057746	58057746	1	DECAL	
58057748	58057748	1	DECAL	
58057767	58057767	1	DECAL	
58057768	58057768	1	DECAL	
58057770	58057770	1	DECAL	
58057772	58057772	1	DECAL	
58093089	58093089	1	DECAL	



FERRARI Motor mowers, FERRARI 2-wheel tractors - 320 TRENDY

**M01\_1\_60965 - STICKERS**



	<b>300 TRENDY</b>	<b>ADESMI</b>	STICKERS ADHESIVOS	AUTOCOLLANTS AUFKLEBES	DALLA MACCHINA FROM THE MACHINE DE LA MACHINE DE LA MAQUINA AB DER MASCHINE	N.	Rev.
							<b>M02 0</b>
							<b>11/2006</b>

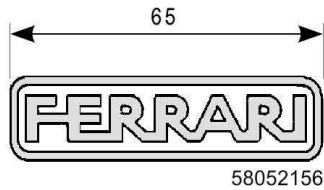


Pos.	Id	Q.ty	Description	Note
58052019	58052019	1	DECAL	
58052026	58052026	1	DECAL 320 DX	
58052029	58052029	1	DECAL	
58052037	58052037	1	DECAL 310 TRENDY	
58052039	58052039	1	DECAL 330 TRENDY	
58052045	58052045	1	DECAL TRENDY	
58052046	58052046	1	DECAL	
58052156	58052156	1	DECAL	



FERRARI Motor mowers, FERRARI 2-wheel tractors - 320 TRENDY

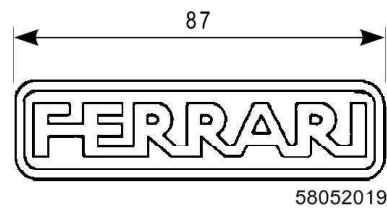
M02\_0\_27566 - STICKERS



**310**  
58052037

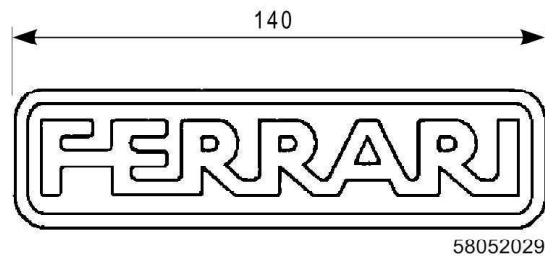
**320**  
58052026

**330**  
58052039



**340**  
58052047 0

**TRENDY**  
58052045



**TRENDY**  
58052046

<b>FERRARI</b>	<b>300 TRENDY</b>	STICKERS ADHESIVOS	<b>ADESMI</b>	AUTOCOLLANTS AUFKLEBES	DALLA MACCHINA FROM THE MACHINE DE LA MACHINE DE LA MAQUINA AB DER MASCHINE	AGGIORNAMENTO	<b>M02</b>	Rev.
						REVISION		1
					<b>0 N.</b>	MISE A JOUR	<b>10/2008</b>	ZBVE
						ANPASSUNG		



Pos.	Id	Q.ty	Description	Note
58052019	58052019	1	DECAL	
58052026	58052026	1	DECAL 320 DX	
58052029	58052029	1	DECAL	
58052037	58052037	1	DECAL 310 TRENDY	
58052039	58052039	1	DECAL 330 TRENDY	
58052045	58052045	1	DECAL TRENDY	
58052046	58052046	1	DECAL	
58052047	58052047	1	DECAL 340 TRENDY	
58052156	58052156	1	DECAL	



FERRARI Motor mowers, FERRARI 2-wheel tractors - 320 TRENDY

**M02\_1\_60983 - STICKERS**



1 310

2 320

3 330

4 340

5 

6 

7 

8 



**i** = info - stop 2 sec. ★ = new part



Pos.	Id	Q.ty	Description	Note
1	58052178		DECAL 310 /11	
2	58052179		DECAL 320 /11	
3	58052180		DECAL 330 /11	
4	58052181		DECAL 340 /11	
5	58052019		DECAL	
6	58052029		DECAL	
7	58052045		DECAL TRENDY	
8	58052046		DECAL	

