



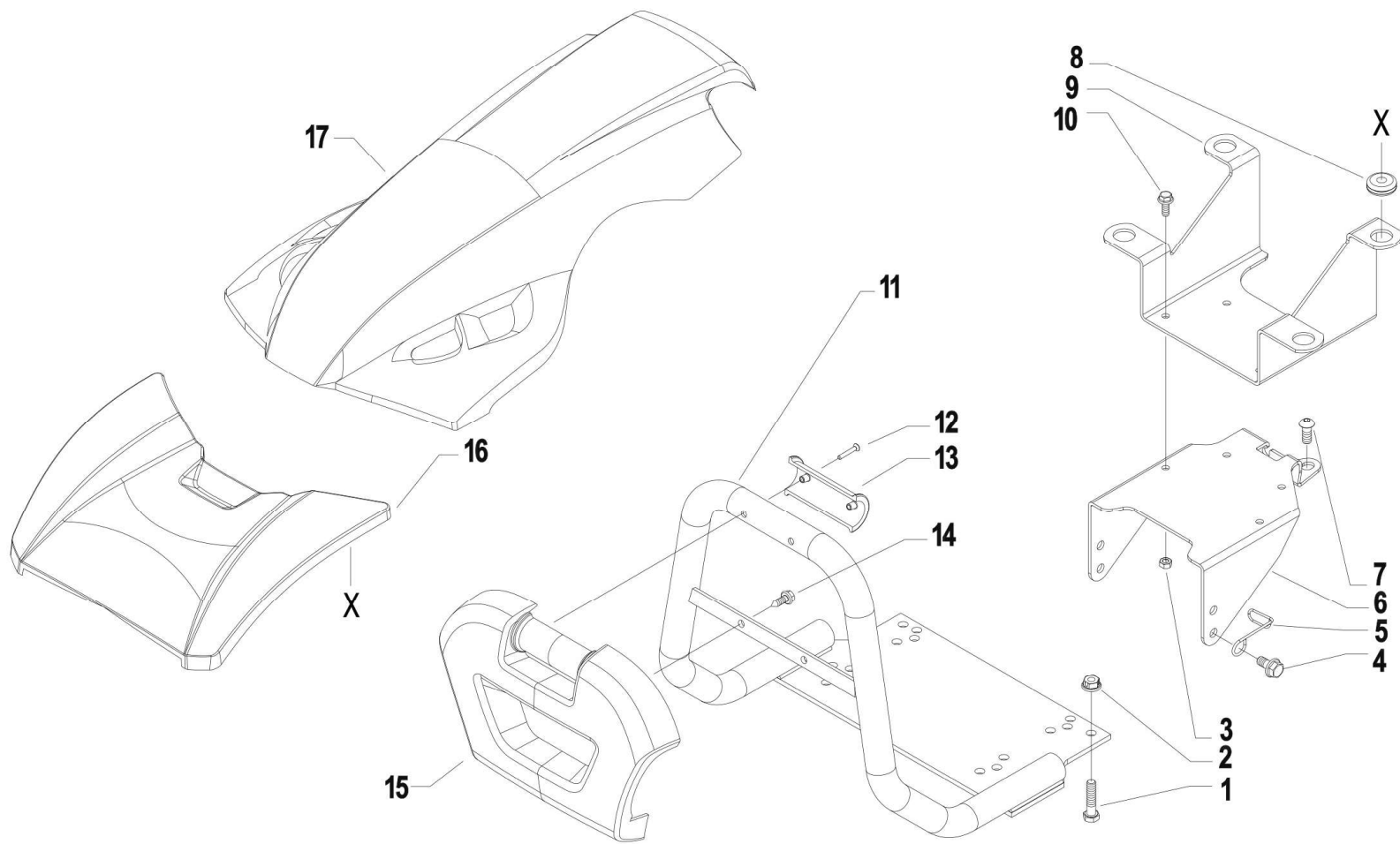
FERRARI Motor mowers, FERRARI 2-wheel tractors

310 PS

13/04/2021

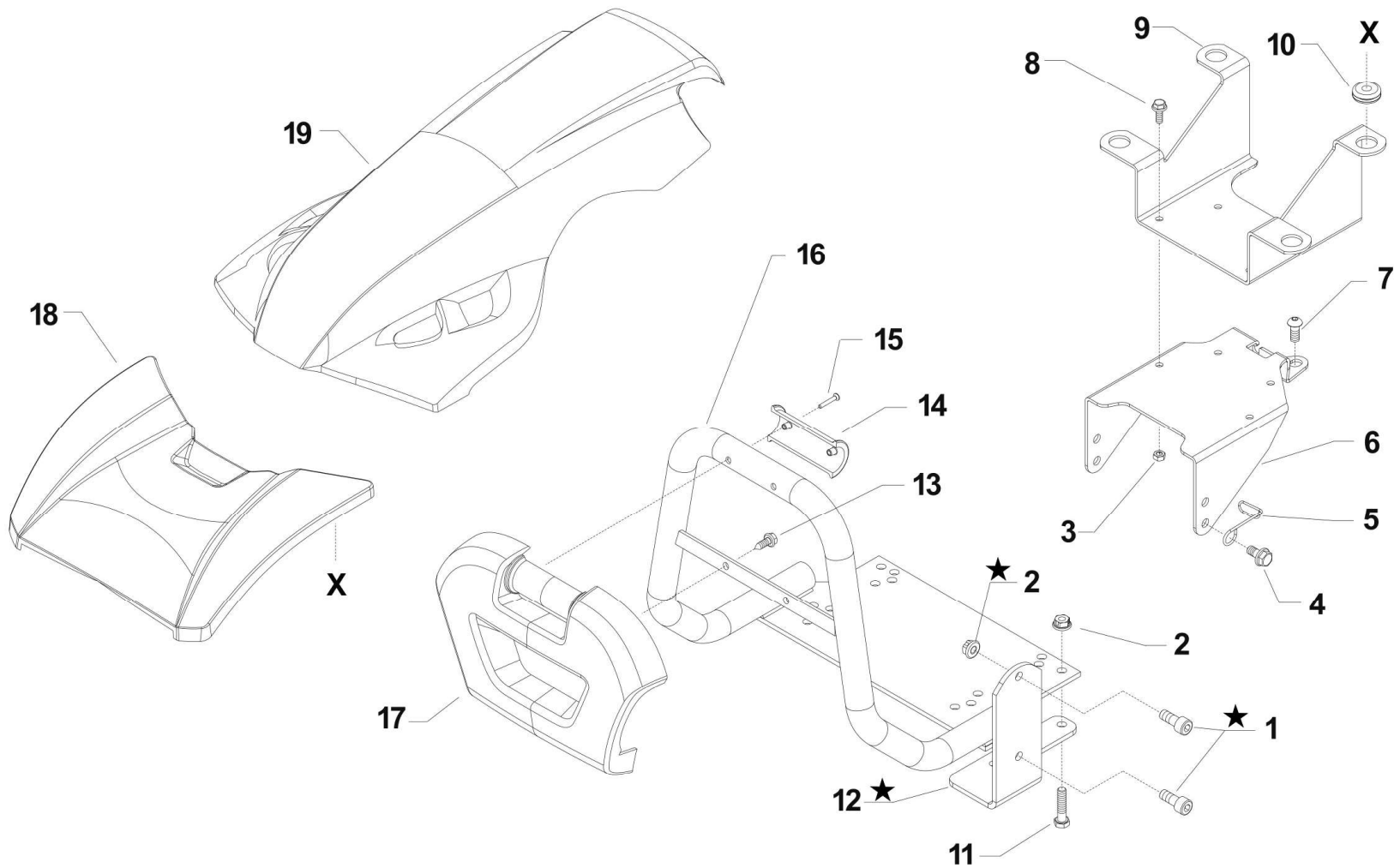
A30010 - 310 PS.....	3
A.01.01.A0003_01 - ENGINE PROTECTIONES.....	4
A.01.01.A0003_02 - ENGINE PROTECTIONES.....	6
A.01.01.A0003_03 - ENGINE PROTECTIONES.....	8
A01_0_66711 - ENGINE PROTECTIONES.....	10
B.01.01.A0001_03 - POWERSAFE CLUCH CONTROL.....	12
B01_1_72788 - POWERSAFE CLUCH CONTROL.....	14
B01_2_77329 - POWERSAFE CLUCH CONTROL.....	17
C01_1_72820 - CYLINDER AND POWERSAFE CLUTCH.....	19
D.01.01.A0001_02 - POWERSAFE FILTER AND UNIT.....	21
D01_1_77361 - POWERSAFE FILTER UNIT.....	23
E01_1_77371 - POWERSAFE CLUTCH HUB.....	25
F01_1_77388 - ENGINE FLANGES.....	27
G.01.01.A0003_01 - GEARBOX.....	29
H.01.01.A0003_01 - GEARS.....	31
H01_0_66868 - GEARS.....	34
I01_0_67010 - WHEELS AXLE.....	37
J01_0_67154 - STEERING COLUMN.....	39
K01_0_67213 - HANDLEBAR.....	41
L01_0_67298 - HANDLEBAR CONTROLS.....	43
M01_0_67400 - CONTROLS.....	45
N.01.01.A0003_01 - BRAKE.....	48
N01_0_67516 - BRAKE.....	50
P01_1_81340 - WHEELS.....	52
Q01_1_81859 - ELECTRIC STARTER.....	54
R.02.01.A0003_02 - STICKERS.....	56
R01_0_67594 - STICKERS.....	58
R02_1_82042 - STICKERS.....	60
S.01.01.A0027_00 - ENGINE COVER KIT.....	62





Pos.	Id	Q.ty	Description	Note
1	31112154	1	SCREW TE M8X40 UNI 5739 8G	
2	31241084	1	SELFLOCK NUT M8 6S	
3	31241060	1	HEXAGON SELFLOCK NUT M6	
4	31112171	1	SCREW TE C/F M8X16 DIN 6921	
5	58057266	1	HOLDER	
6	56156246N	1	TUNNEL	
7	31121008	1	SCREW TBCEI M10X16 ISO 7380	
8	58056991	1	CABLE GLAND 90/200/30	
9	56157399	1	HOLDER	
10	31112085	1	SCREW TE M6X16 DIN 6921 8G	
11	59053021H	1	BUMPER C.15LD-ACT-GX ALUM.	For motors GX270/340
11	59053040H	1	ALU COMPLETE BUMPER GX160-200	For motors GX160/200-EX21
11	59056127H	1	BUMPER FOR 740	For engine L70
12	31100451	1	SCREW 3,5X25	Replaces 55252415
13	55257522	1	HALF BEARING	Replaces 55252415
14	31510100	1	RIBBED SCREW 6,3X19 UNI 6950	Replaces 55252415
15	55252503	1	FREGIO ANT.MC 2010 FERRARI	Replaces 55252415
16	55252406	1	GUARD BATTERY BOX	
17	55252405	1	GUARD	



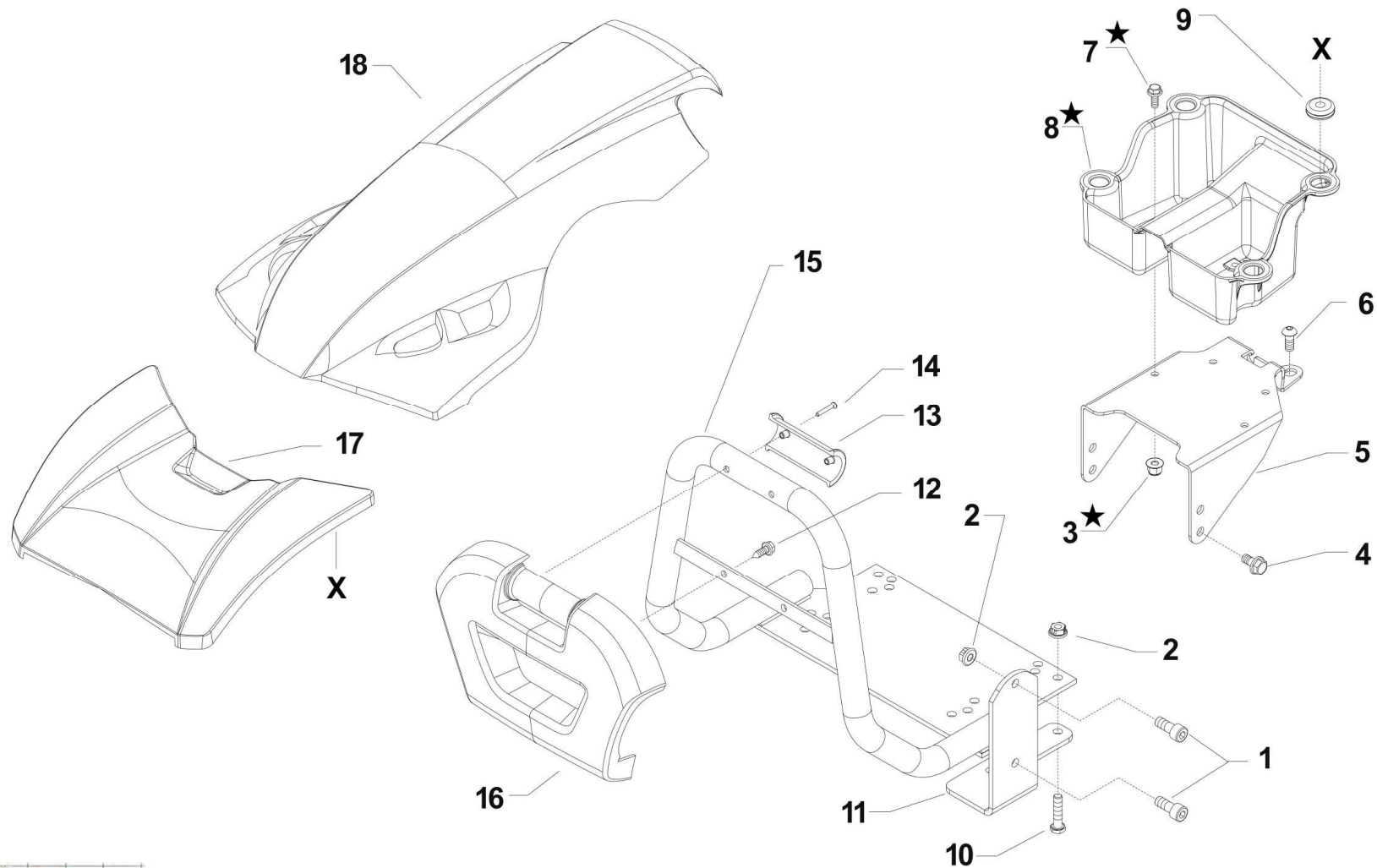


i = info - stop 2 sec. ★ = new part



Pos.	Id	Q.ty	Description	Note
1	31152081		SCREW TCEI M8X20 UNI 5931	KD350
2	31241084		SELFLOCK NUT M8 6S	KD350
3	31241060		HEXAGON SELFLOCK NUT M6	320 - 330
4	31112171		SCREW TE C/F M8X16 DIN 6921	
5	58057266		HOLDER	
6	56156246N		TUNNEL	
7	31121008		SCREW TBCEI M10X16 ISO 7380	
8	31112085		SCREW TE M6X16 DIN 6921 8G	320 - 328 - 330 - 338
9	56157399		HOLDER	320 - 328 - 330 - 338
10	58056991		CABLE GLAND 90/200/30	320 - 328 - 330 - 338
11	31112154		SCREW TE M8X40 UNI 5739 8G	
12	56156136Z		BUMPER FIXING SUPPORT	KD350
13	31510100		RIBBED SCREW 6,3X19 UNI 6950	
14	55252504		HALF BEARING	
15	31100451		SCREW 3,5X25	
16	59053021H		BUMPER C.15LD-ACT-GX ALUM.	GX240 - GX340
16	59053040H		ALU COMPLETE BUMPER GX160-200	GX160 - GX200 - EX21
16	59056127H		BUMPER FOR 740	L70
17	55252503		FREGIO ANT.MC 2010 FERRARI	
18	55252406		GUARD BATTERY BOX	320 - 328 - 330 - 338
19	55252405		GUARD	320 - 328 - 330 - 338

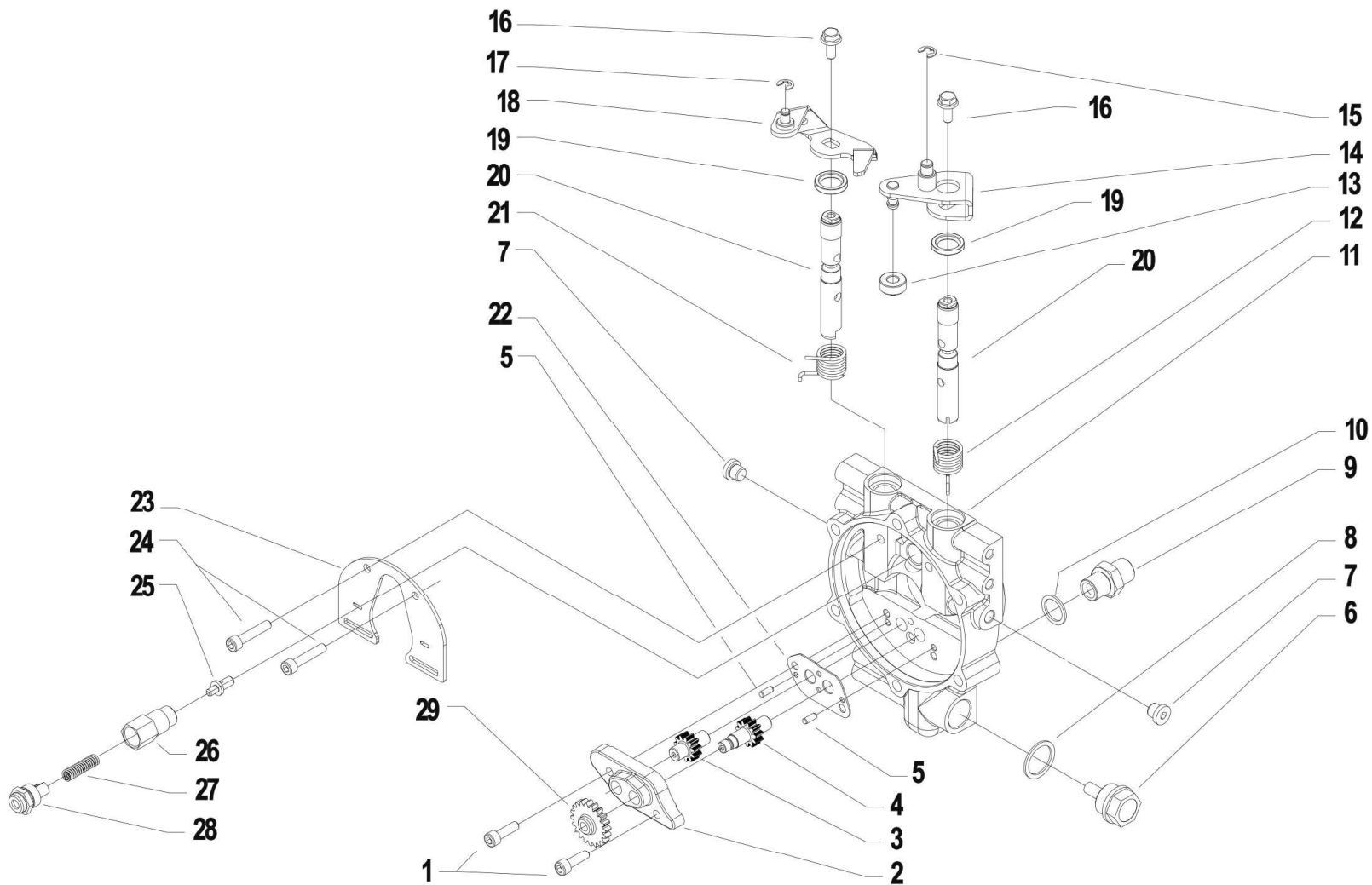




i = info - stop 2 sec. ★ = new part

Pos.	Id	Q.ty	Description	Note
1	31152081		SCREW TCEI M8X20 UNI 5931	KD350
2	31241084		SELFLOCK NUT M8 6S	KD350
3	31241066		SELFLOCK M6 FL NY DIN 6926	320 - 330
4	31112171		SCREW TE C/F M8X16 DIN 6921	
5	56156246N		TUNNEL	
6	31121008		SCREW TBCEI M10X16 ISO 7380	
7	31112081		SCREW TE C/F M6X20 DIN 6921 8G	
8	552C1001		FAIRINGS BOX	
8	58056991		CABLE GLAND 90/200/30	
10	31112154		SCREW TE M8X40 UNI 5739 8G	
11	56156136Z		BUMPER FIXING SUPPORT	KD350
12	31510100		RIBBED SCREW 6,3X19 UNI 6950	
13	55252504		HALF BEARING	
14	31100451		SCREW 3,5X25	
15	59053021H		BUMPER C.15LD-ACT-GX ALUM.	GX270 - GX340
15	59053040H		ALU COMPLETE BUMPER GX160-200	GX160 - GX200 - EX21
15	59056127H		BUMPER FOR 740	L70
16	55252503		FREGIO ANT.MC 2010 FERRARI	
17	55252406		GUARD BATTERY BOX	
18	55252405		GUARD	





Pos.	Id	Q.ty	Description	Note
1	31152063	1	SCREW TCEI M6X20 UNI 5931	
2	51156214	1	COVER	
3	52456217	1	DRIVEN GEAR	
4	52456223	1	GEAR	
5	34221040	1	CYLINDRICAL PLUG	
6	58170021	1	PLUG	
7	580C0041	1	PLUG	
8	F0844273090	1	GASKET 22X28X1,5 CU 99,5	
9	30000197	1	NIPPLE	
10	31480184	1	COPPER WASHER 16,7x22/1,5	
11	59256200	1	CLUTCH FLANGE	
12	58056222	1	SPRING	
13	55256228	1	ROLLER	
14	59056225Z	1	CLUTCH LEVER	
15	35211060	1	SEEGER RING E 6 UNI 7434	
16	31112084	1	SCREW TE C/F M6X14 DIN 6921 8G	
17	35211050	1	SEEGER RING E 5 UNI 7434	
18	59056298Z	1	LEVER	Replaces 59056230Z from serial 901289
19	38211400	1	OIL SEAL 14X22X4	
20	52456220	1	DISTRIBUTOR	
21	58056221	1	SPRING	
22	56356661	1	COUNTERWEIGHT	
23	56156224	1	SHIELD	
24	31152060	1	SCREW TCEI M6X30 UNI 5931	
25	56456657	1	VALVE	
26	56156658	1	VALVE INSERT/INLET	
27	58056683	1	SPRING	Replaces 58056192 from serial number 883609
28	56356242	1	PLUG	
29	52456235	1	PUMP GEAR	

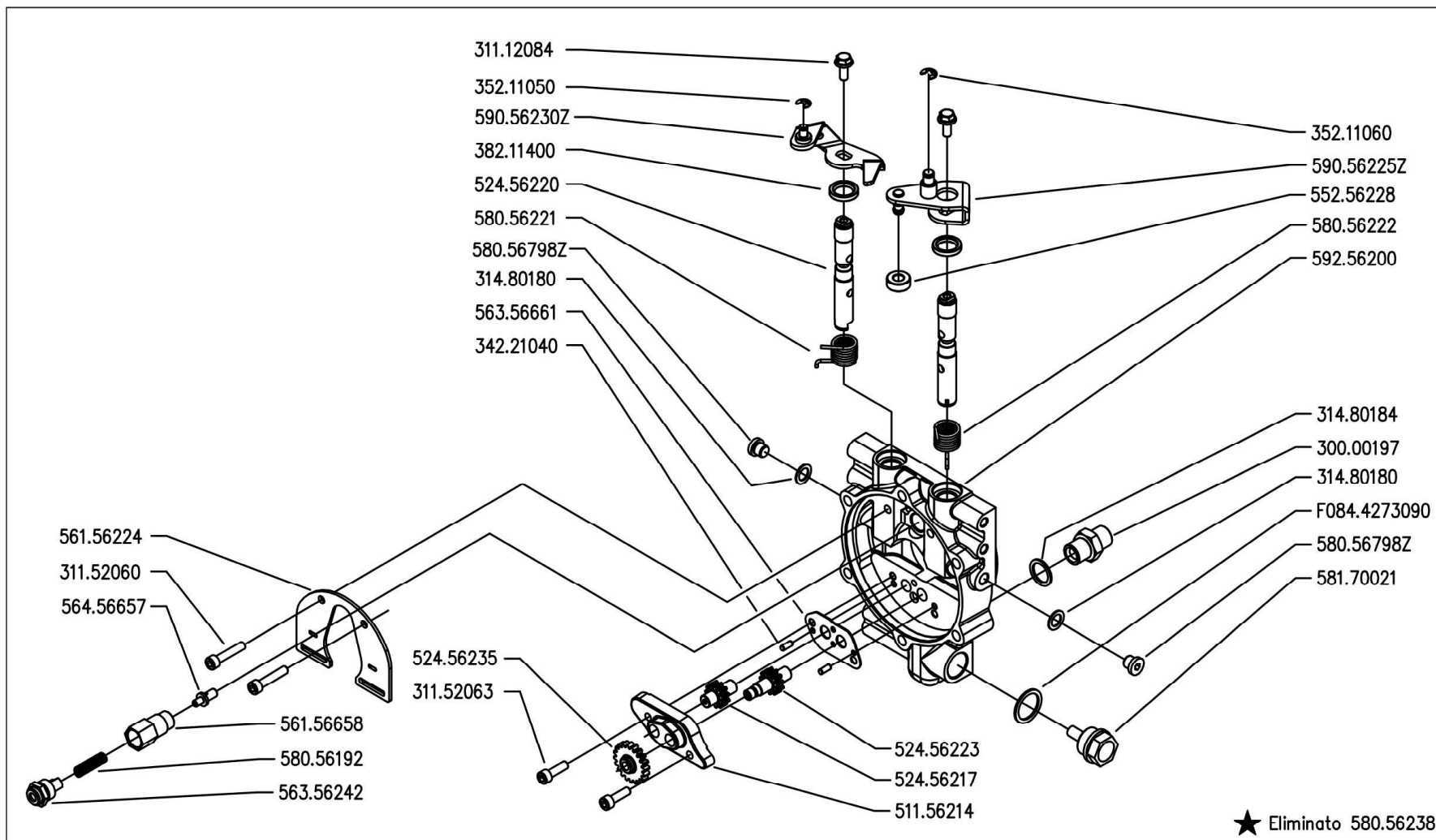


FERRARI Motor mowers, FERRARI 2-wheel tractors - 310 PS

B.01.01.A0001_03 - POWERSAFE CLUCH CONTROL

13/04/2021

Page 13 / 63



	300 serie PS PowerSafe®	COMANDO FRIZIONE POWERSAFE		DALLA MACCHINA DE LA MAQUINA DE LA MACHINA FROM THE MACHINE AB DER MASCHINE	Rev. 1
		POWERSAFE CLUTCH CONTROL CONTROL EMBRAGUE POWERSAFE	CONTRÔLE EMBRAYAGE POWERSAFE REGELUND POWERSAFE KUPPLUNG		



Pos.	Id	Q.ty	Description	Note
30000197	30000197	1	NIPPLE	
31112084	31112084	1	SCREW TE C/F M6X14 DIN 6921 8G	
31152060	31152060	1	SCREW TCEI M6X30 UNI 5931	
31152063	31152063	1	SCREW TCEI M6X20 UNI 5931	
31480180	31480180	1	COPPER WASHER 10,2x16/1	
31480184	31480184	1	COPPER WASHER 16,7x22/1,5	
34221040	34221040	1	CYLINDRICAL PLUG	
35211050	35211050	1	SEEGER RING E 5 UNI 7434	
35211060	35211060	1	SEEGER RING E 6 UNI 7434	
38211400	38211400	1	OIL SEAL 14X22X4	
51156214	51156214	1	COVER	
52456217	52456217	1	DRIVEN GEAR	
52456220	52456220	1	DISTRIBUTOR	
52456223	52456223	1	GEAR	
52456235	52456235	1	PUMP GEAR	
55256228	55256228	1	ROLLER	
56156224	56156224	1	SHIELD	
56156658	56156658	1	VALVE INSERT/INLET	
56356242	56356242	1	PLUG	
56356661	56356661	1	COUNTERWEIGHT	
56456657	56456657	1	VALVE	
58056192	58056192	1	SPRING	
58056221	58056221	1	SPRING	
58056222	58056222	1	SPRING	
58170021	58170021	1	PLUG	
59256200	59256200	1	CLUTCH FLANGE	
58056798Z	58056798Z	1	PLUG	
59056225Z	59056225Z	1	CLUTCH LEVER	
59056230Z	59056230Z	1	LEVER	



FERRARI Motor mowers, FERRARI 2-wheel tractors - 310 PS

B01_1_72788 - POWERSAFE CLUCH CONTROL

13/04/2021

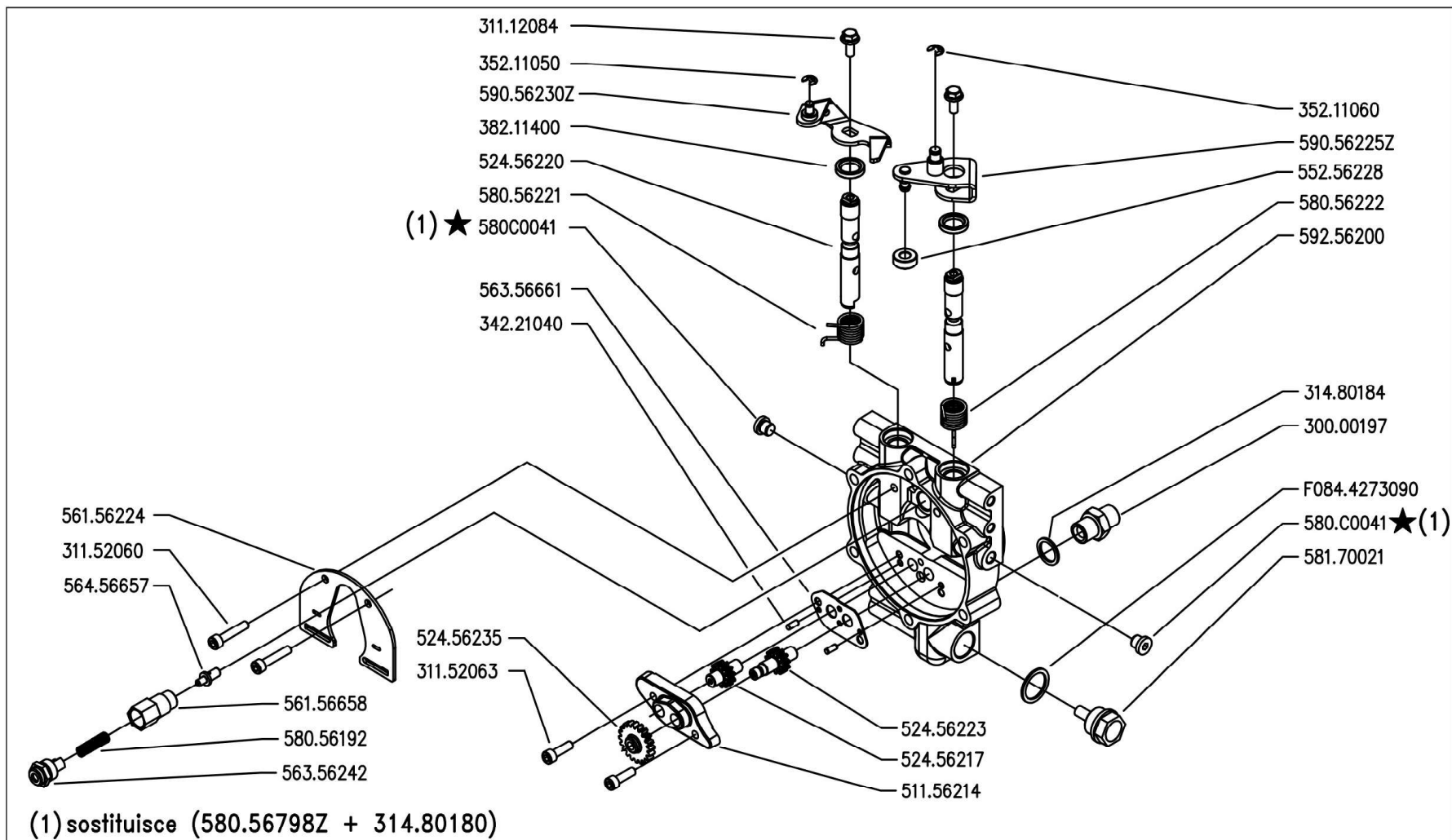
Page 15 / 63

Pos.	Id	Q.ty	Description	Note
F0844273090	F0844273090	1	GASKET 22X28X1,5 CU 99,5	



FERRARI Motor mowers, FERRARI 2-wheel tractors - 310 PS

B01_1_72788 - POWERSAFE CLUCH CONTROL



	300 serie PS PowerSafe®	COMANDO FRIZIONE POWERSAFE		DALLA MACCHINA DE LA MAQUINA DE LA MACHINA FROM THE MACHINE AB DER MASCHINE	AGGIORNAMENTO	Rev. B01 2
		POWERSAFE CLUTCH CONTROL CONTROL EMBRAGUE POWERSAFE	CONTRÔLE EMBRAYAGE POWERSAFE REGELUND POWERSAFE KUPPLUNG		★ N.	



Pos.	Id	Q.ty	Description	Note
31112084	31112084	1	SCREW TE C/F M6X14 DIN 6921 8G	
31152060	31152060	1	SCREW TCEI M6X30 UNI 5931	
31152063	31152063	1	SCREW TCEI M6X20 UNI 5931	
31480184	31480184	1	COPPER WASHER 16,7x22/1,5	
34221040	34221040	1	CYLINDRICAL PLUG	
35211050	35211050	1	SEEGER RING E 5 UNI 7434	
35211060	35211060	1	SEEGER RING E 6 UNI 7434	
38211400	38211400	1	OIL SEAL 14X22X4	
51156214	51156214	1	COVER	
52456217	52456217	1	DRIVEN GEAR	
52456220	52456220	1	DISTRIBUTOR	
52456223	52456223	1	GEAR	
52456235	52456235	1	PUMP GEAR	
55256228	55256228	1	ROLLER	
56156224	56156224	1	SHIELD	
56156658	56156658	1	VALVE INSERT/INLET	
56356242	56356242	1	PLUG	
56356661	56356661	1	COUNTERWEIGHT	
56456657	56456657	1	VALVE	
58056192	58056192	1	SPRING	
58056221	58056221	1	SPRING	
58056222	58056222	1	SPRING	
580C0041	580C0041	1	PLUG	
58170021	58170021	1	PLUG	
59256200	59256200	1	CLUTCH FLANGE	
59056225Z	59056225Z	1	CLUTCH LEVER	
59056230Z	59056230Z	1	LEVER	
F0844273090	F0844273090	1	GASKET 22X28X1,5 CU 99,5	

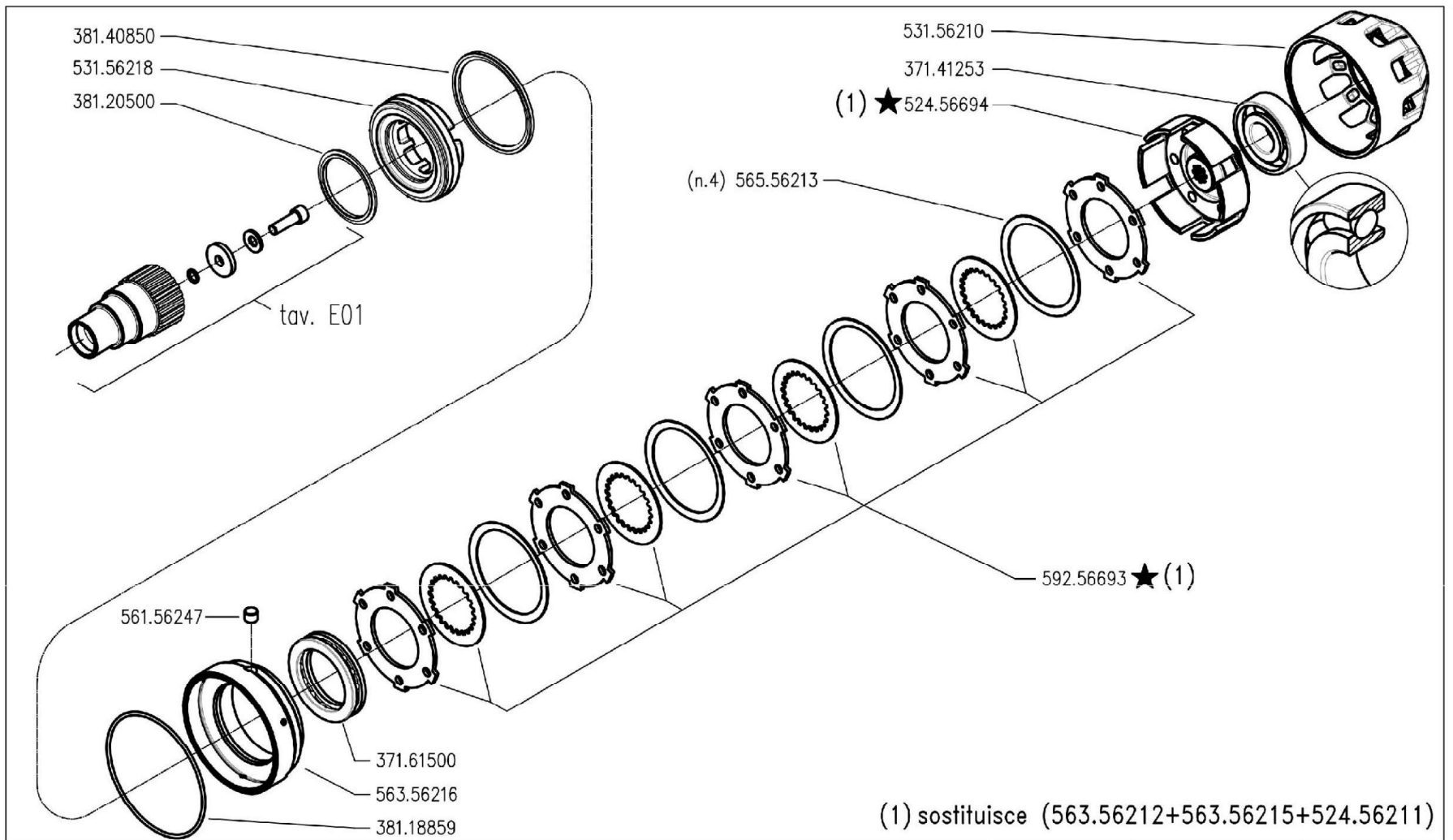


FERRARI Motor mowers, FERRARI 2-wheel tractors - 310 PS

B01_2_77329 - POWERSAFE CLUCH CONTROL

13/04/2021

Page 18 / 63



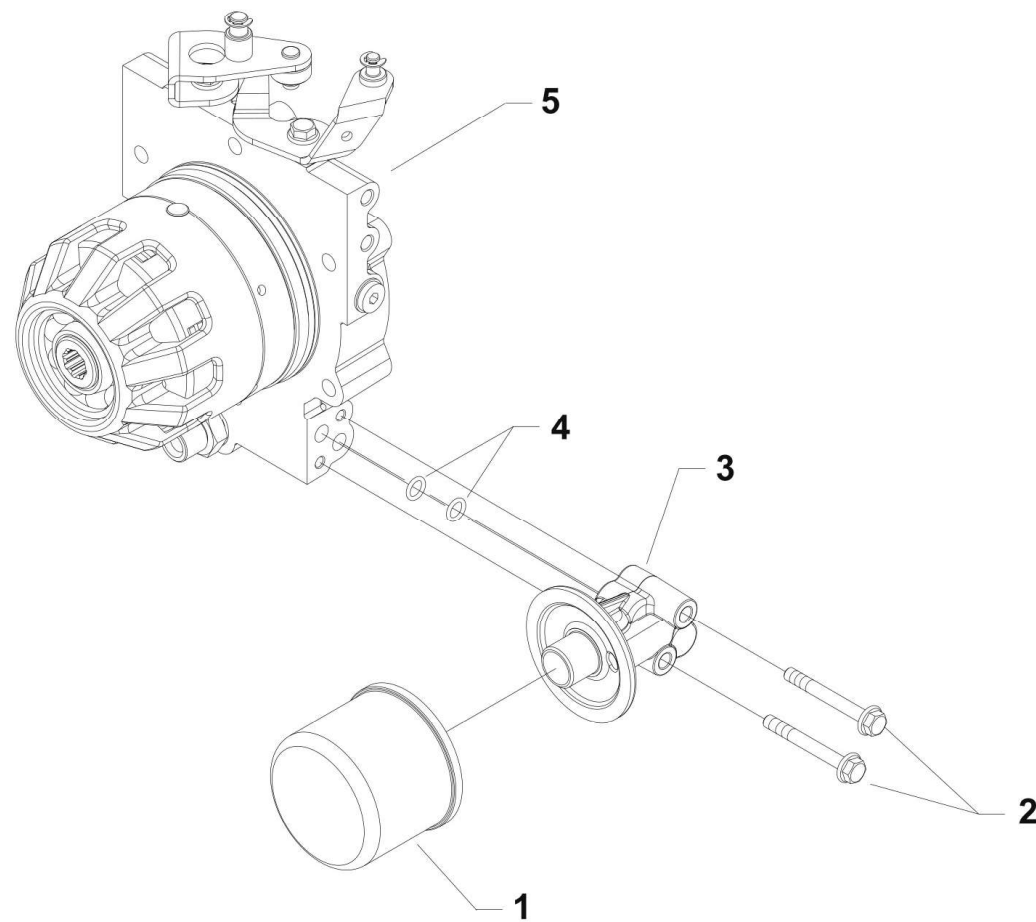
	300 serie PS PowerSafe®	CILINDRO E FRIZIONE POWERSAFE CYLINDER AND POWERSAFE CLUTCH CILINDRO Y EMBRAGUE POWERSAFE	CYLINDER ET EMBRAYAGE POWERSAFE ZILINDER UND POWERSAFE KUPPLUNG	DALLA MACCHINA DE LA MAQUINA DE LA MACHINA FROM THE MACHINE AB DER MASCHINE	★ N.	852604	Rev. C01 1
					04/2010	04/2010	1

DIMEBCS - Scala 1:6



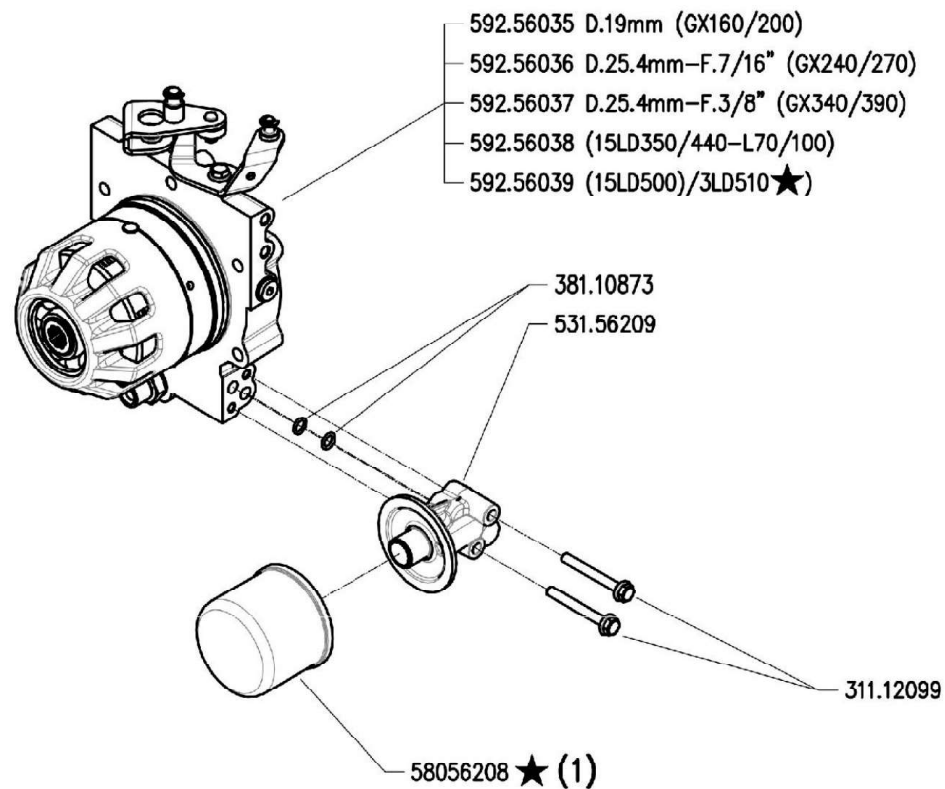
Pos.	Id	Q.ty	Description	Note
37141253	37141253	1	BEARING 7305-BJP OBL 25x62x17	
37161500	37161500	1	BEARING 51110 (50X70X14)	
38118859	38118859	1	O-RING OR 3375 (94,92X2,62)	
38120500	38120500	1	RING I/GR-L 0500-A POLYPAC	
38140850	38140850	1	RING E/GR-L 0850-A POLYPAC	
52456694	52456694	1	CLUTCH HOUSING	
53156210	53156210	1	SUMP	
53156218	53156218	1	PISTON	
56156247	56156247	1	PIN	
56356216	56356216	1	RING	
56556213	56556213	1	SPRING	
59256693	59256693	1	9 DISC CLUTCH	






Pos.	Id	Q.ty	Description	Note
1	58056208	1	HYDRAULIC OIL FILTER	
2	31112099	1	SCREW TE C/F M6X50 DIN 6921 8G	
3	53156209	1	CONNECTION	
3	53156659	1	CONNECTION	Powersafe EasyDrive
4	38110873	1	O-RING 108 (8,73X1,78)	
5	59256035	1	POWERSAFE CLUTCH ASSY Q19	For motors GX160/200
5	59256036	1	POWERSAFE CLUTCH	For motors GX240/270-EX21
5	59256037	1	CLUTCH FOR POWERSAFE Q25.4 (3/8)	For motors GX340/390
5	59256038	1	POWERSAFE CLUTCH	For motors 15LD350/440-L70/100
5	59256039	1	POWERSAFE CLUTCH ASSY	For motors 15LD500/3LD510





(1) sostituisce 580.56249

	<h1>300 serie PS</h1> <h2>PowerSafe®</h2>	GRUPPO E FILTRO POWERSAFE		DALLA MACCHINA DE LA MAQUINA DE LA MACHINA FROM THE MACHINE AB DER MASCHINE ★ N.	AGGIORNAMENTO	<div style="font-size: 2em; font-weight: bold;">D01</div> <div style="font-size: 1.5em; font-weight: bold;">1</div>	Rev.
		POWERSAFE FILTER AND UNIT	FILTRE POWERSAFE		APLAZAMIENTO		11/2010
		FILTRO POWERSAFE	POWERSAFE FILTER		MISE A JOUR		
					REVISION		
					ANPASSUNG		

DITE/BCS - Scala 1:3

Pos.	Id	Q.ty	Description	Note
31112099	31112099	1	SCREW TE C/F M6X50 DIN 6921 8G	
38110873	38110873	1	O-RING 108 (8,73X1,78)	
53156209	53156209	1	CONNECTION	
58056208	58056208	1	HYDRAULIC OIL FILTER	
59256035	59256035	1	POWERSAFE CLUTCH ASSY Q19	
59256036	59256036	1	POWERSAFE CLUTCH	
59256037	59256037	1	CLUTCH FOR POWERSAFE Q25.4 (3/8)	
59256038	59256038	1	POWERSAFE CLUTCH	
59256039	59256039	1	POWERSAFE CLUTCH ASSY	

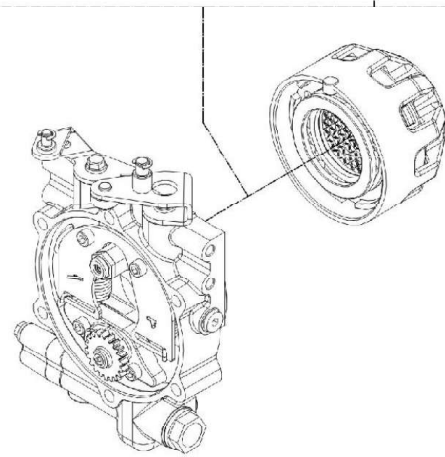
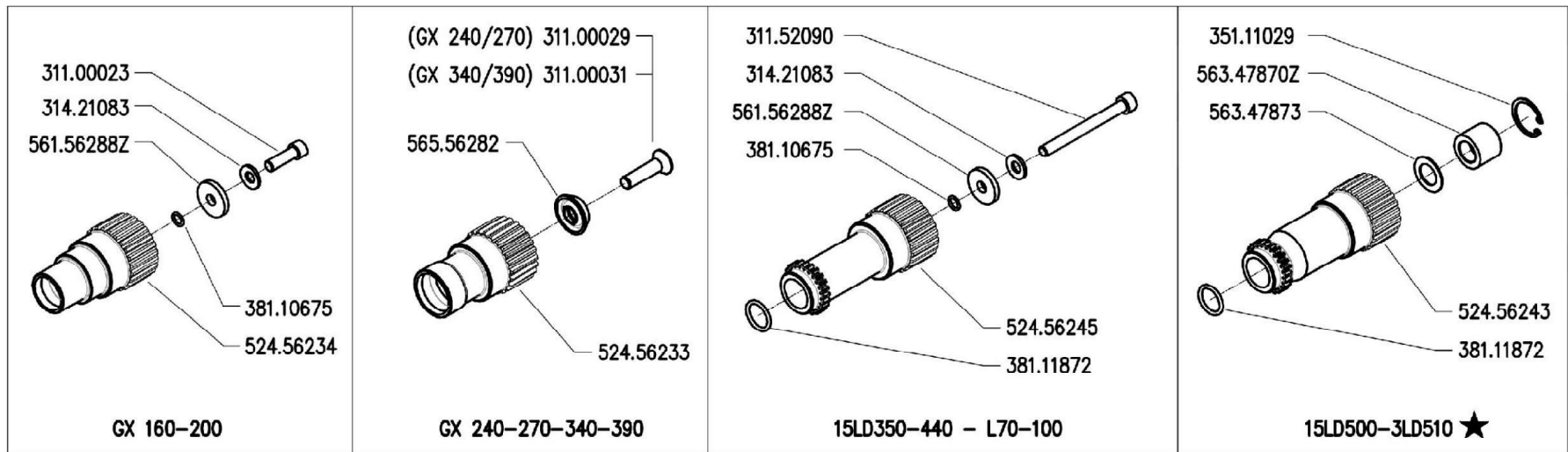


FERRARI Motor mowers, FERRARI 2-wheel tractors - 310 PS

D01_1_77361 - POWERSAFE FILTER UNIT

13/04/2021

Page 24 / 63



300 serie PS
PowerSafe®

MOZZI FRIZIONE POWERSAFE

POWERSAFE CLUTCH HUBS
CUBOS EMBRAGUE POWERSAFE

MOYEURS EMBRAYAGE POWERSAFE
NABEN POWERSAFE KUPPLUNG

DALLA MACCHINA
DE LA MACQUINA
DE LA MACHINA
FROM THE MACHINE
AB DER MASCHINE



AGGIORNAMENTO
APLAZAMIENTO
MISE A JOUR
REVISION
ANPASSUNG

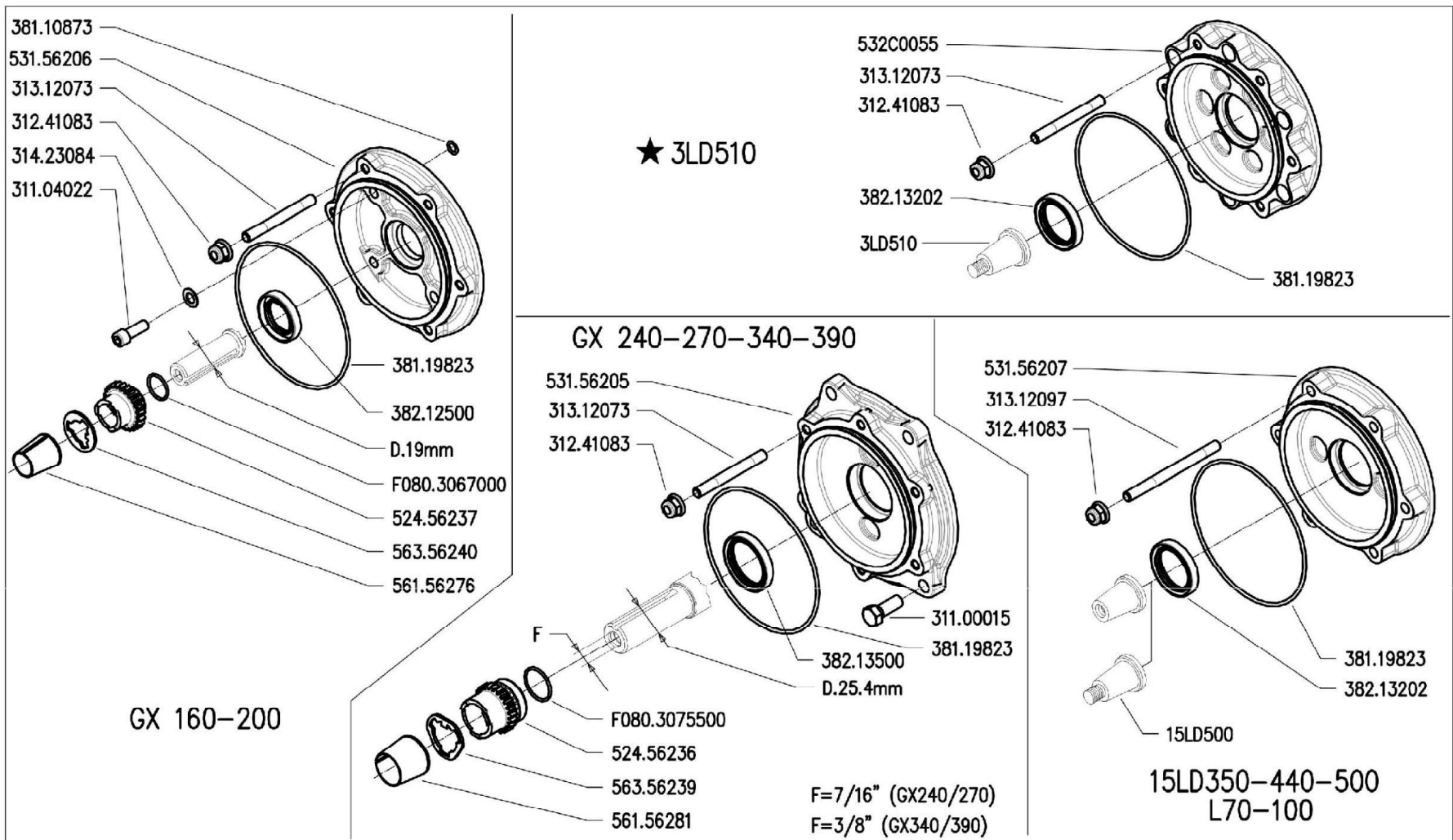
Rev. 1
E01
11/2010

DITEBCS - Scala 1:5



Pos.	Id	Q.ty	Description	Note
31100023	31100023	1	SCREW 5/16-24 X 1 UNF 8G	
31100029	31100029	1	SCREW TSVEI 7/16-20X1 1/2 UNF8G	
31100031	31100031	1	SCREW TSVEI 3/8-24X1 1/2 UNF 8G	
31152090	31152090	1	SCREW TCEI M8x80 UNI5931	
31421083	31421083	1	WASHER	
35111029	35111029	1	SEEGER RING I 28 UNI 7437	
38110675	38110675	1	O-RING 106 (6,75X1,78)	
38111872	38111872	1	O-RING 3075 (18,72x2,62)	
52456233	52456233	1	HUB Q25	
52456234	52456234	1	HUB Q19	
52456243	52456243	1	HUB	
52456245	52456245	1	HUB	
56347873	56347873	1	WASHER	
56556282	56556282	1	WASHER D.25,4	
56156288Z	56156288Z	1	SPECIAL WASHER SP.4	
56347870Z	56347870Z	1	SPECIAL NUT	





300 serie PS
PowerSafe®

ENGINE FLANGES
 BRIDAS MOTOR

FLANGIE MOTORE

BRIDES MOTEUR
 MOTOR FLANSCH

DALLA MACCHINA
 DE LA MAQUINA
 DE LA MACHINA
 FROM THE MACHINE
 AB DER MASCHINE

★ N.

AGGIORNAMENTO
 APLAZAMIENTO
 MISE A JOUR
 REVISION
 ANPASSUNG

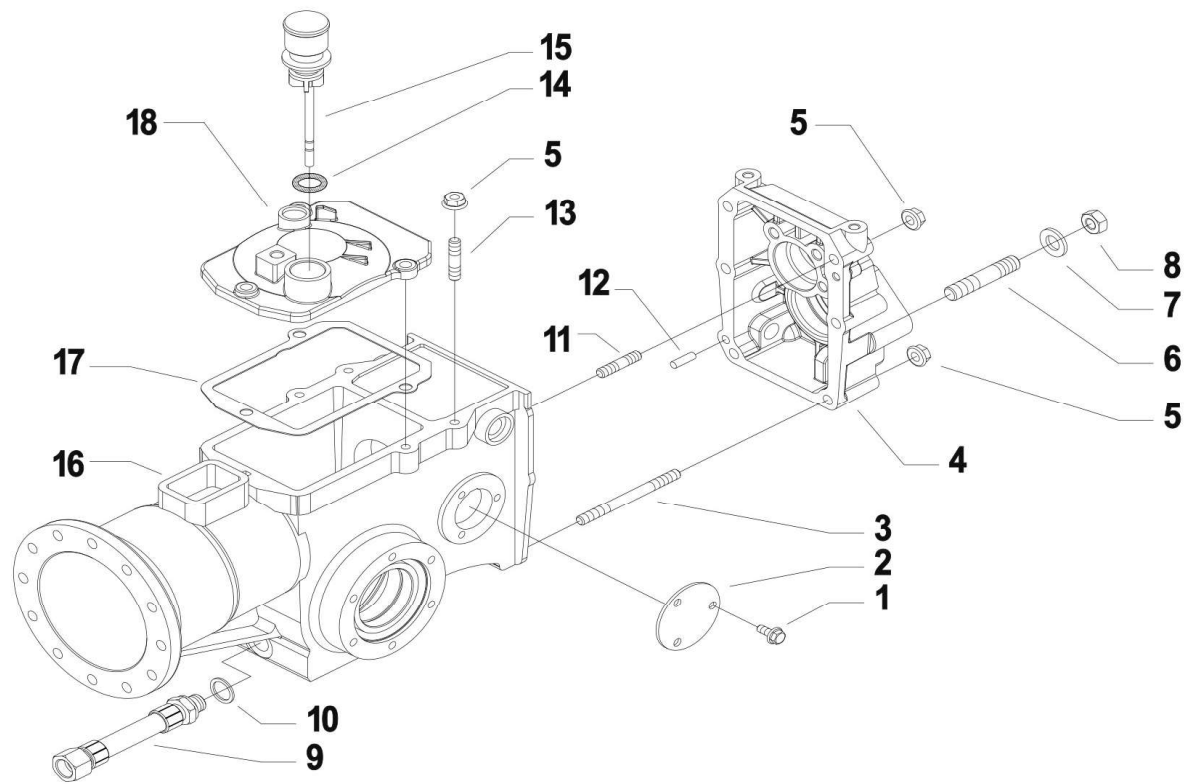
Rev. **F01** **1**
11/2010

DITE/BCS - Scala 1:5



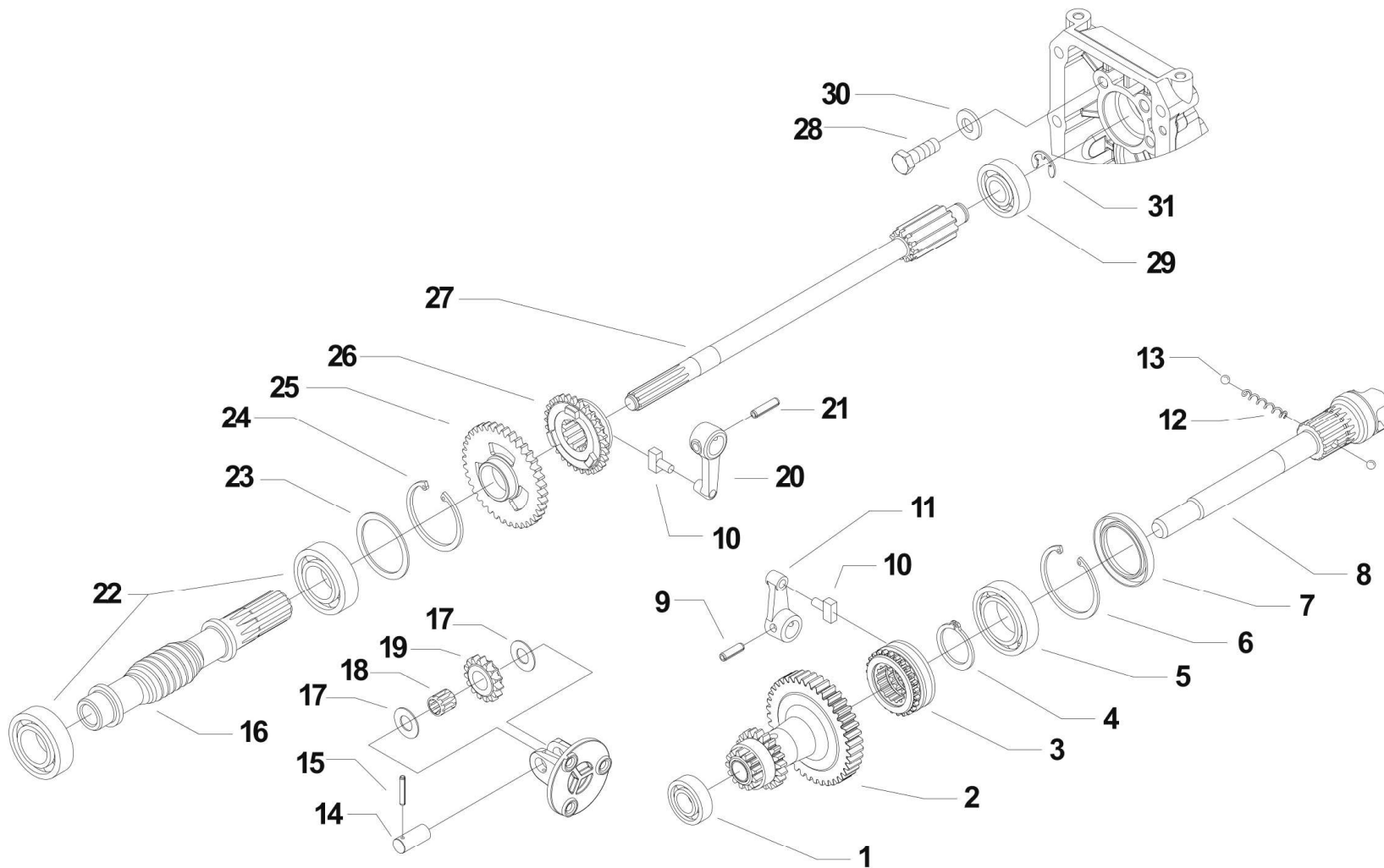
Pos.	Id	Q.ty	Description	Note
31100015	31100015	1	SCREW TE 3/8X1	
31104022	31104022	1	SCREW TCEI 5/16X7/8 UNF 12K	
31241083	31241083	1	SELFLOCK NUT M8	
31312073	31312073	1	STUD BOLT M8X73X14X20 8G	
31312097	31312097	1	STUD BOLT M8X98X16X28 8G	
31423084	31423084	1	SPRING WASHER 8,4	
38110873	38110873	1	O-RING 108 (8,73X1,78)	
38119823	38119823	1	O-RING 3450 (113,97x2,62)	
38212500	38212500	1	OIL SEAL 25X40X7	
38213202	38213202	1	OIL SEAL 32X45X7	
38213500	38213500	1	OIL SEAL 35X47X7	
52456236	52456236	1	PUMP GEAR	
52456237	52456237	1	PUMP GEAR	
53156205	53156205	1	ENGINE FLANGE Q25	
53156206	53156206	1	ENGINE FLANGE Q19	
53156207	53156207	1	ENGINE FLANGE	
532C0055	532C0055	1	ACT ENGINE FLANGE	
56156276	56156276	1	SLEEVE D.19	
56156281	56156281	1	CENTRING BUSH D.25,4	
56356239	56356239	1	FEEDER Q25	
56356240	56356240	1	TRANSMISSION	
F0803067000	F0803067000	1	O-RING 2075 (18,77X1,78)	
F0803075500	F0803075500	1	O-RING 2100 (25,12X1,78)	





Pos.	Id	Q.ty	Description	Note
1	31112083	1	SCREW M6X12	
2	56147520Z	1	COVER	
3	31312094	1	STUD BOLT M8X68X14X36	
4	53156332V	1	REAR COVER	
5	31241084	1	SELFLOCK NUT M8 6S	
6	31312125	1	STUD BOLT 64XM12X1,25X26XM12X30 8G	
7	31421132	1	WASHER 13X24X2,8	
8	31221121	1	NUT M12X1,25	
9	59056248	1	SUCTION SHORT HOSE	
10	31480184	1	COPPER WASHER 16,7x22/1,5	
11	31312086	1	STUD BOLT M8X56X20X14	
12	58043053	1	CYLINDRICAL PLUG	
13	31312082	1	STUD BOLT M8X38X14X20	
14	55102678	1	RUBBER RING	
15	59056672	1	OIL LEVEL CAP W/SHAFT	
16	53156203V	1	BOX CASING	
17	58043117	1	COVER GASKET	
18	53143128V	1	COVER	Pour les modèles Série 310/320/328 PS
18	53143875V	1	GEARBOX HOUSING COVER	Pour les modèles 330/338 de la série PS





Pos.	Id	Q.ty	Description	Note
1	37111150	1	BEARING 6202 (15X35X11)	
2	59056395	1	TRANSMISSION SHAFT	Replaces 59056378 + 52456362
3	52456706	1	PTO COUPLING	Replaces 59056378 + 52456362
4	35121031	1	SEEGER RING E 30 UNI 7436	
5	37112229	1	BEARING 6006 (30X55X13) SKF	
6	35111055	1	SEEGER RING I 55 DIN 472	
7	38213800	1	OIL SEAL 38X55X7	
8	52456335	1	PTO SHAFT L=161	
9	34213061	1	ROLL PIN	
10	58043086	1	SHOE	
11	52456390	1	LEVER	
12	58056391	1	SPRING	
13	37910832	1	BALL 1/4	
14	56456350	1	GEAR PIN	
15	34211025	1	ROLL PIN 2,5X22 DIN 1481	
16	56456475	1	SCREW 2	
17	56356348	1	ADJUSTING RING	
18	37320120	1	ROLLER CAGE 12X15/10	
19	56456347	1	GEAR	
20	52456389	1	LEVER	
21	34213060	1	ROLL PIN	
22	37111255	1	BEARING 6205 (25X52X15)	
23	56356328	1	ADJUSTING RING SP=1,5	
23	56356329	1	ADJUSTING RING SP=1,6	
23	56356330	1	ADJUSTING RING SP=1,7	
23	56356331	1	ADJUSTING RING SP=1,8	
24	35111052	1	SEEGER RING I 52 DIN 472	
25	52456354	1	GEAR	
26	52456356	1	SLIDER	



FERRARI Motor mowers, FERRARI 2-wheel tractors - 310 PS

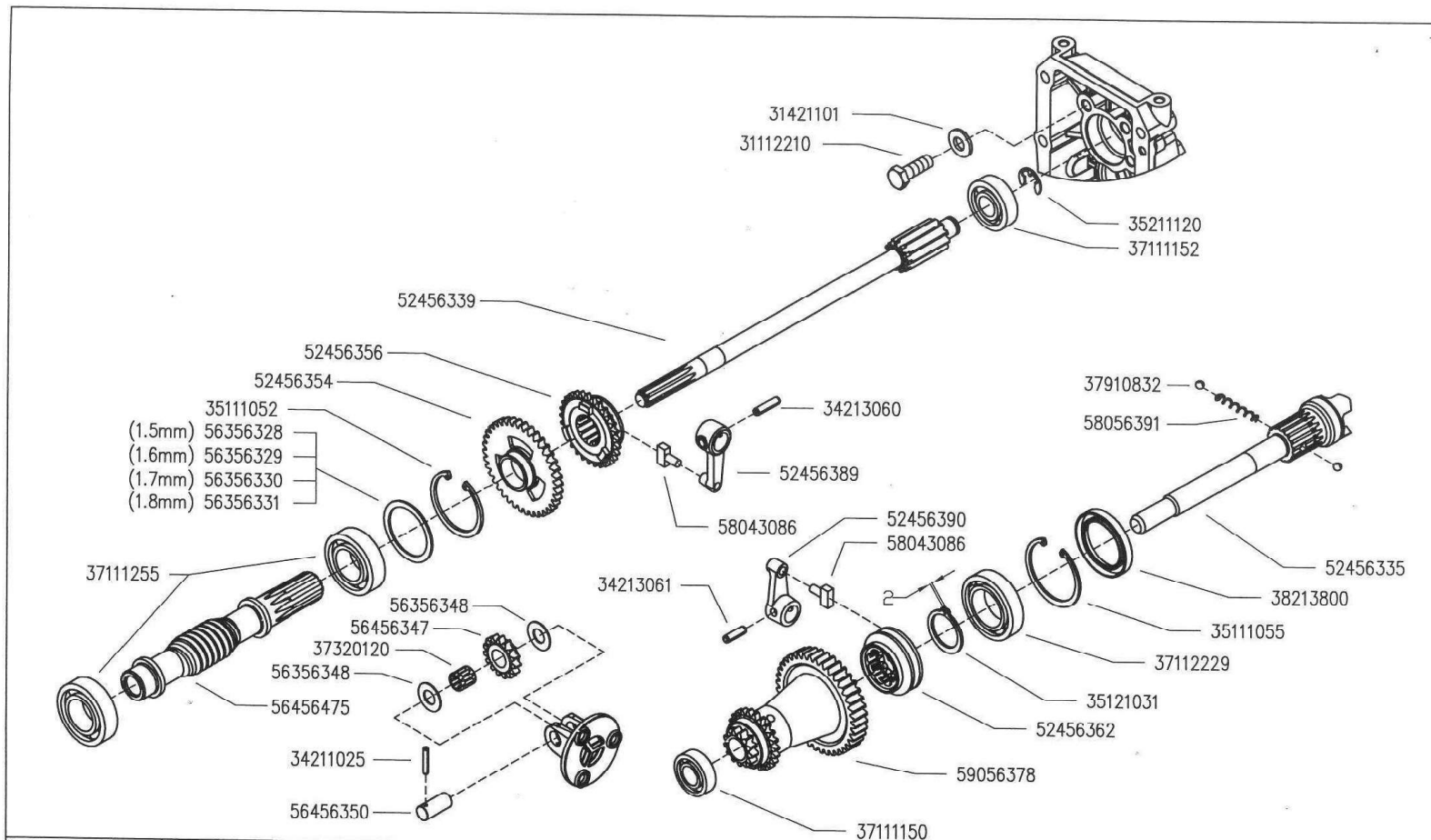
H.01.01.A0003_01 - GEARS

13/04/2021

Page 32 / 63

Pos.	Id	Q.ty	Description	Note
27	52456339	1	SHAFT	
28	31112210	1	SCREW TE M10X20 UNI 5739	
29	37111152	1	BEARING 6302 (15X42X13) SKF	
30	31421101	1	WASHER	
31	35211120	1	SEEGER RING E 12 UNI 7434	





	300 serie PS PowerSafe®	GEARS ENGRANAJES	INGRANAGGI CAMBIO (310)	ENGRANAGES ZÄHNRÄDER	DALLA MACCHINA DE LA MAQUINA DE LA MAQUINA FROM THE MACHINE AB DER MASCHINE	N.	Rev.	H01	0
							05/2009	05/2009	

DITE.BCS - Scala 1:4



FERRARI Motor mowers, FERRARI 2-wheel tractors - 310 PS
H01_0_66868 - GEARS

Pos.	Id	Q.ty	Description	Note
31112210	31112210	1	SCREW TE M10X20 UNI 5739	
31421101	31421101	1	WASHER	
34211025	34211025	1	ROLL PIN 2,5X22 DIN 1481	
34213060	34213060	1	ROLL PIN	
34213061	34213061	1	ROLL PIN	
35111052	35111052	1	SEEGER RING I 52 DIN 472	
35111055	35111055	1	SEEGER RING I 55 DIN 472	
35121031	35121031	1	SEEGER RING E 30 UNI 7436	
35211120	35211120	1	SEEGER RING E 12 UNI 7434	
37111150	37111150	1	BEARING 6202 (15X35X11)	
37111152	37111152	1	BEARING 6302 (15X42X13) SKF	
37111255	37111255	1	BEARING 6205 (25X52X15)	
37112229	37112229	1	BEARING 6006 (30X55X13) SKF	
37320120	37320120	1	ROLLER CAGE 12X15/10	
37910832	37910832	1	BALL 1/4	
38213800	38213800	1	OIL SEAL 38X55X7	
52456335	52456335	1	PTO SHAFT L=161	
52456339	52456339	1	SHAFT	
52456354	52456354	1	GEAR	
52456356	52456356	1	SLIDER	
52456362	52456362	1	COUPLING	
52456389	52456389	1	LEVER	
52456390	52456390	1	LEVER	
56356328	56356328	1	ADJUSTING RING SP=1,5	
56356329	56356329	1	ADJUSTING RING SP=1,6	
56356330	56356330	1	ADJUSTING RING SP=1,7	
56356331	56356331	1	ADJUSTING RING SP=1,8	
56356348	56356348	1	ADJUSTING RING	
56456347	56456347	1	GEAR	



FERRARI Motor mowers, FERRARI 2-wheel tractors - 310 PS

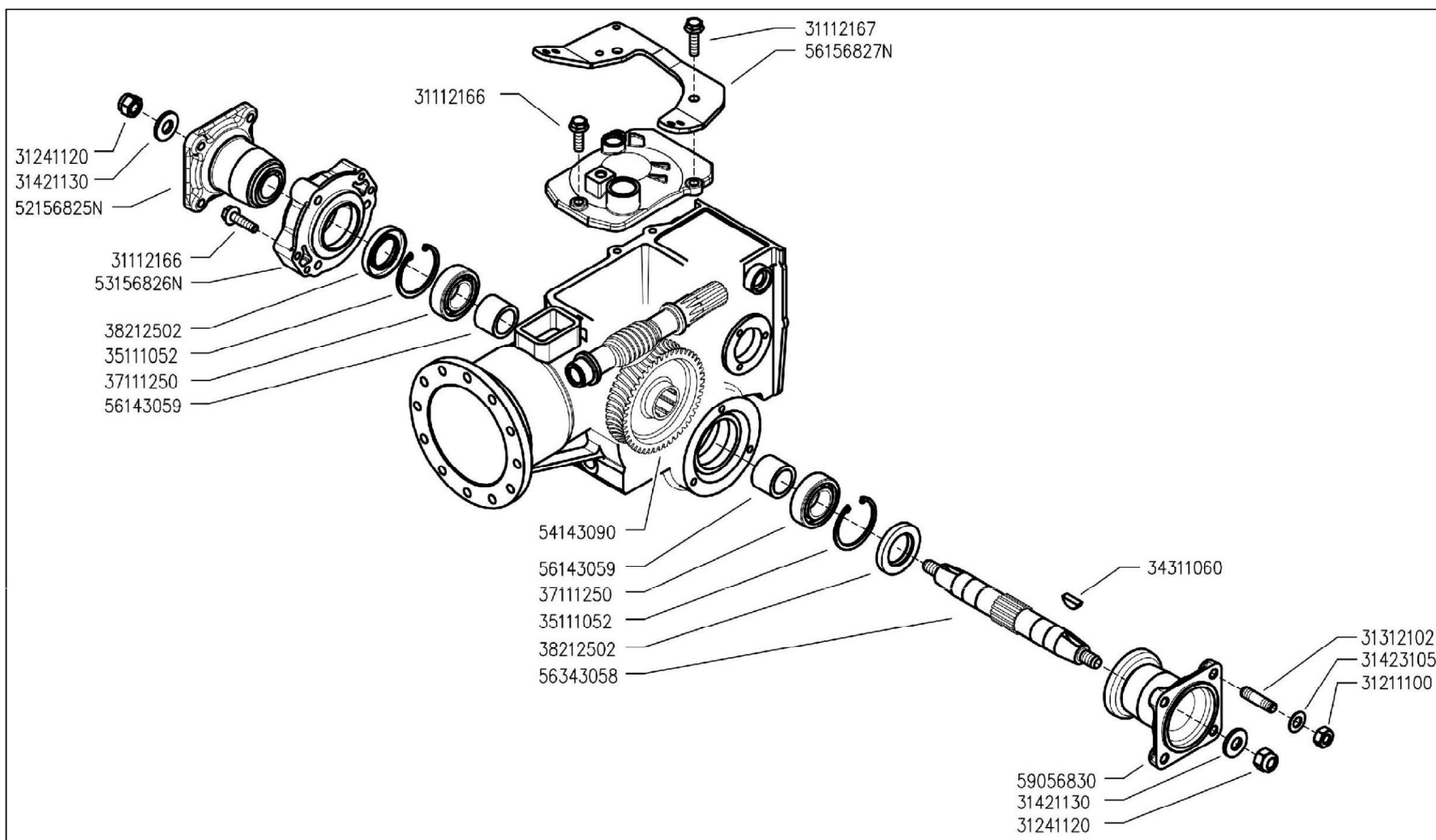
H01_0_66868 - GEARS

13/04/2021

Page 35 / 63

Pos.	Id	Q.ty	Description	Note
56456350	56456350	1	GEAR PIN	
56456475	56456475	1	SCREW 2	
58043086	58043086	1	SHOE	
58056391	58056391	1	SPRING	
59056378	59056378	1	TRANSMISSION SHAFT	





300 serie PS
PowerSafe®

WHEELS AXLE
EJE RUEDAS

ASSE RUOTE
(310-320)

ESSIEUS ROUES
RÄDACHSE

DALLA MACCHINA
DE LA MAQUINA
FROM THE MACHINE
AB DER MASCHINE

N.

101

05/2009

Rev.

0

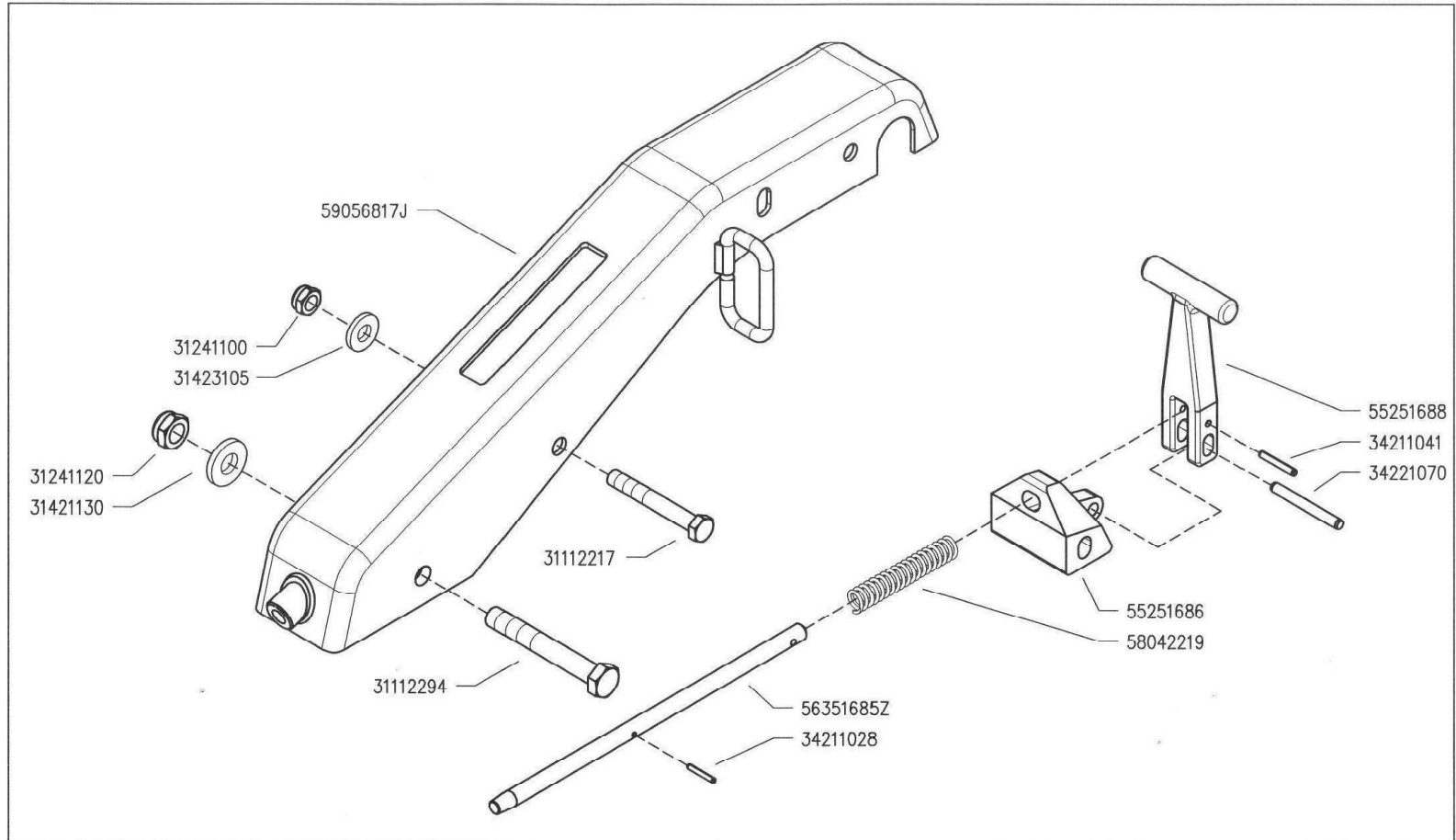
DME.BCS - Scala 1:3



FERRARI Motor mowers, FERRARI 2-wheel tractors - 310 PS
101_0_67010 - WHEELS AXLE

Pos.	Id	Q.ty	Description	Note
31112166	31112166	1	SCREW TE C/F M8X25 DIN 6921 8G	
31112167	31112167	1	SCREW TE C/F M8X30 DIN 6921 8G	
31211100	31211100	1	NUT M10	
31241120	31241120	1	SELFLOCK NUT M12	
31312102	31312102	1	STUD BOLT M10X40X24X12	
31421130	31421130	1	WASHER	
31423105	31423105	1	SPRING WASHER 10,5	
34311060	34311060	1	KEY 6X10 UNI 6606	
35111052	35111052	1	SEEGER RING I 52 DIN 472	
37111250	37111250	1	BEARING	
38212502	38212502	1	OIL SEAL 25X52X7	
54143090	54143090	1	CROWN WHEELZ=49 DESTRORSA	
56143059	56143059	1	SPACER	
56343058	56343058	1	AXLE SHAFT	
59056830	59056830	1	WHEEL HUB	
52156825N	52156825N	1	WHEEL HUB	
53156826N	53156826N	1	FLANGE	
56156827N	56156827N	1	STOP	





	300 serie PS PowerSafe®	STEERING COLUMN COLUMNA	PIANTONE (310)	PLANTON LENKSÄULE	DALLA MACCHINA DE LA MAQUINA FROM THE MACHINE AB DER MASCHINE	N.	rev.
							J01 0
							05/2009

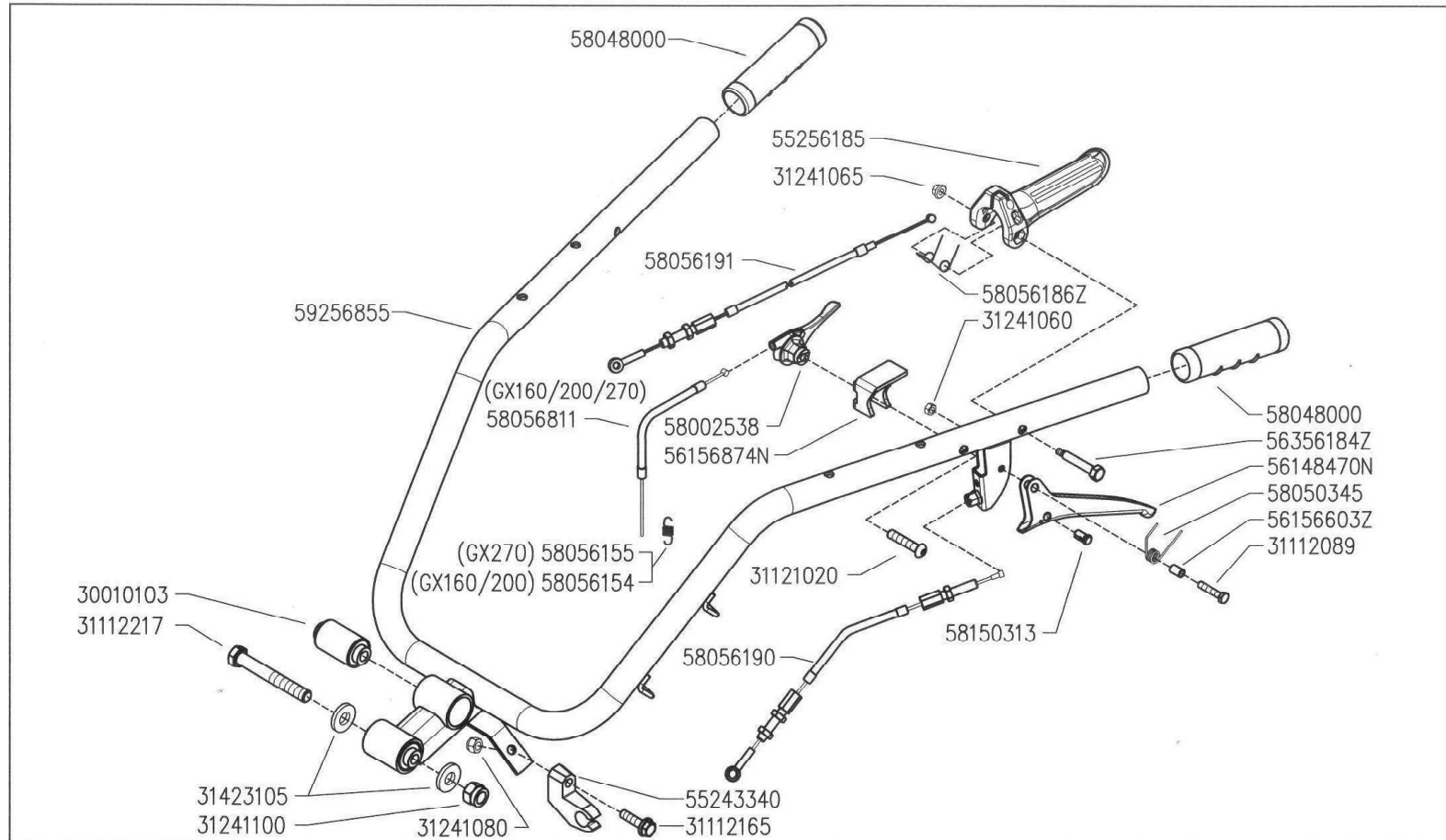
JTE.BOS - Scala 1:3



FERRARI Motor mowers, FERRARI 2-wheel tractors - 310 PS
J01_0_67154 - STEERING COLUMN

Pos.	Id	Q.ty	Description	Note
31112217	31112217	1	SCREW TE M10X80 UNI 5737	
31112294	31112294	1	SCREW TE M12X85 UNI 5737	
31241100	31241100	1	SELFLOCK HEXAGON NUT M10	
31241120	31241120	1	SELFLOCK NUT M12	
31421130	31421130	1	WASHER	
31423105	31423105	1	SPRING WASHER 10,5	
34211028	34211028	1	ROLL PIN 3,0X18 DIN 1481	
34211041	34211041	1	ROLL PIN	
34221070	34221070	1	CYLINDRICAL PLUG 8X50 UNI 1707	
55251686	55251686	1	LEVER BEARING	
55251688	55251688	1	LEVER	
58042219	58042219	1	SPRING	
56351685Z	56351685Z	1	ROD	
59056817B	59056817B	1	COLUMN	





300 serie PS
PowerSafe®

HANDLEBAR
MANILLAR

MANUBRIO
(310)

MANCHERON
LINCHER

DALLA MACCHINA
DE LA MAQUINA
DE LA MACHINA
FROM THE MACHINE
AB DER MASCHINE

N.

K01

Rev.
0

05/2009

DATE: BCS - Scala: 1:5



FERRARI Motor mowers, FERRARI 2-wheel tractors - 310 PS
K01_0_67213 - HANDLEBAR

Pos.	Id	Q.ty	Description	Note
30010103	30010103	1	SILENT-BLOCK 10,2X30X45X60,5	
31112089	31112089	1	SCREW TE M6X25 UNI 5739 8G	
31112165	31112165	1	SCREW TE C/F M8X35 DIN 6921 8G	
31112217	31112217	1	SCREW TE M10X80 UNI 5737	
31121020	31121020	1	SCREW TBCEI M8X40 ISO7380 10K Z	
31241060	31241060	1	HEXAGON SELFLOCK NUT M6	
31241065	31241065	1	SELFLOCK NUT M6	
31241080	31241080	1	HEXAGON SELFLOCK NUT M8	
31241100	31241100	1	SELFLOCK HEXAGON NUT M10	
31423105	31423105	1	SPRING WASHER 10,5	
55243340	55243340	1	SUPPORT	
55256185	55256185	1	LEVER	
58002538	58002538	1	ACCELERATOR	
58048000	58048000	1	KNOB D=27	
58050345	58050345	1	SPRING	
58056154	58056154	1	RESTORING SPRING	
58056155	58056155	1	RESTORING SPRING	
58056190	58056190	1	LINE L=1460	
58056191	58056191	1	LINE L=1560	
58056811	58056811	1	LINE AND SHEATH L=1850	
58150313	58150313	1	CABLE CLAMP	
59256855	59256855	1	HANDLE BAR	
56148470N	56148470N	1	LEVER	
56156603Z	56156603Z	1	SPACER	
56156874N	56156874N	1	PANEL	
56356184Z	56356184Z	1	LEVER PIN	
58056186Z	58056186Z	1	SPRING	

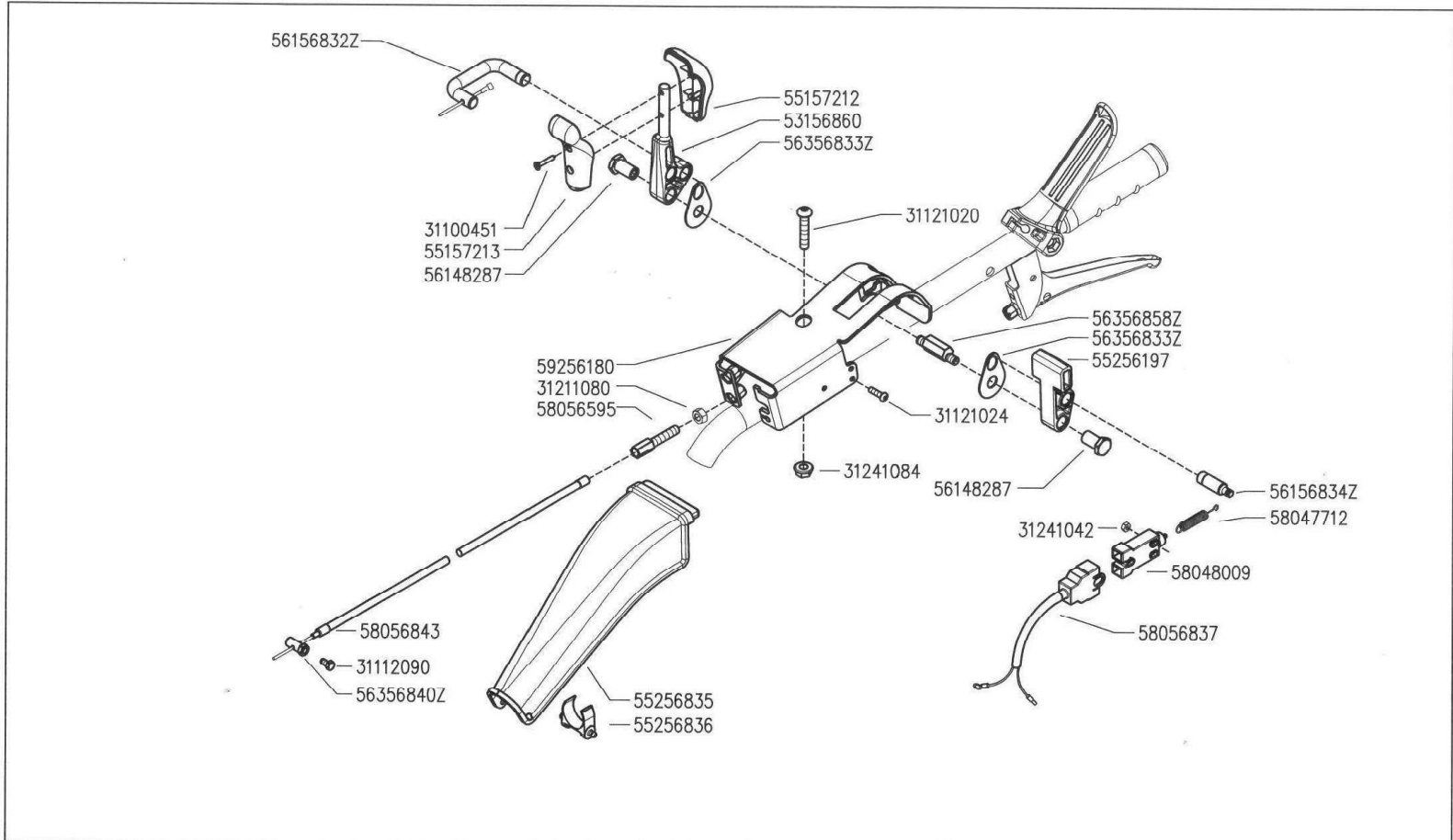



FERRARI Motor mowers, FERRARI 2-wheel tractors - 310 PS

K01_0_67213 - HANDLEBAR

13/04/2021

Page 42 / 63



	300 serie PS <i>PowerSafe®</i>	COMANDI SUL MANUBRIO (310)			DALLA MACCHINA DE LA MAQUINA FROM THE MACHINE AB DER MASCHINE	Rev. 0	L01	05/2009	N.	31EBCS - Scala 1:5
		HANDLEBAR CONTROLS CONTROLES EN EL MANILLAR	CONTROLES SUR LE MANCHERON KONTROLLEN AM LINCHER	N.						



Pos.	Id	Q.ty	Description	Note
31100451	31100451	1	SCREW 3,5X25	
31112090	31112090	1	SCREW TE M6X16 UNI 5739 8G	
31121020	31121020	1	SCREW TBCEI M8X40 ISO7380 10K Z	
31121024	31121024	1	SCREW TBCEI FL.M4X25	
31211080	31211080	1	NUT M8	
31241042	31241042	1	SELFLOCK NUT M4 FL.6S	
31241084	31241084	1	SELFLOCK NUT M8 6S	
53156860	53156860	1	COMMAND LEVER	
55157212	55157212	1	GRIP	
55157213	55157213	1	GRIP	
55256197	55256197	1	MOTOR STOP LEVER	
55256835	55256835	1	PROTECTION COVER	
55256836	55256836	1	SUPPORT, ELECTRICAL BOX	
56148287	56148287	1	STUD BOLT	
58047712	58047712	1	SPRING	
58048009	58048009	1	ENGINE STOP SWITCH	
58056595	58056595	1	ADJUSTING SCREW M8	
58056837	58056837	1	WIRING	
58056843	58056843	1	LINE AND SHEATH L=980	
59256180	59256180	1	SUPPORT	
56156832Z	56156832Z	1	U BOLT	
56156834Z	56156834Z	1	INDEXING BOLT	
56356833Z	56356833Z	1	SMALL PLATE	
56356840Z	56356840Z	1	CLAMPING SCREW	
56356858Z	56356858Z	1	PIN	

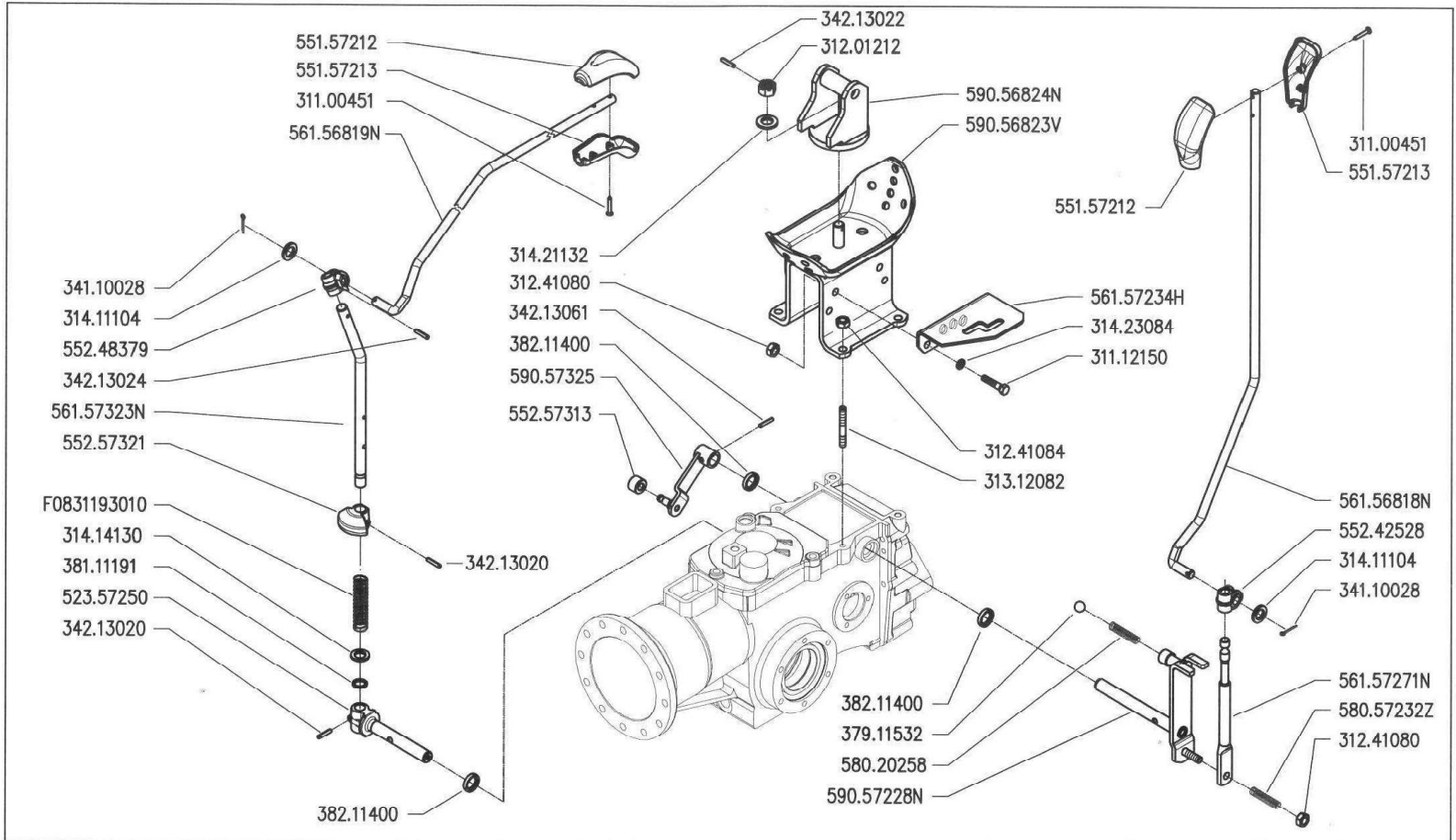



FERRARI Motor mowers, FERRARI 2-wheel tractors - 310 PS

L01_0_67298 - HANDLEBAR CONTROLS

13/04/2021

Page 44 / 63



	300 serie PS <i>PowerSafe®</i>	CONTROLS MANDOS	COMANDI (310)	COMMANDES ANTRIEBE	DALLA MACCHINA DE LA MAQUINA DE LA MACHINA FROM THE MACHINE AB DER MASCHINE	N.	Rev.
							M01 0
							05/2009

DITE.BCS - Scala 1:6



FERRARI Motor mowers, FERRARI 2-wheel tractors - 310 PS
M01_0_67400 - CONTROLS

Pos.	Id	Q.ty	Description	Note
31100451	31100451	1	SCREW 3,5X25	
31112150	31112150	1	SCREW TE M8X20 UNI 5739 8G	
31201212	31201212	1	NUT M12 UNI 5593 6S	
31241080	31241080	1	HEXAGON SELFLOCK NUT M8	
31241084	31241084	1	SELFLOCK NUT M8 6S	
31312082	31312082	1	STUD BOLT M8X38X14X20	
31411104	31411104	1	WASHER 10,5x18	
31414130	31414130	1	WASHER 13	
31421132	31421132	1	WASHER 13X24X2,8	
31423084	31423084	1	SPRING WASHER 8,4	
34110028	34110028	1	SPLIT PIN A3X15 UNI 1336	
34213020	34213020	1	ROLL PIN	
34213022	34213022	1	ROLL PIN	
34213024	34213024	1	ROLL PIN	
34213061	34213061	1	ROLL PIN	
37911532	37911532	1	BALL 15/32	
38111191	38111191	1	O-RING 115 (11,91X2,62)	
38211400	38211400	1	OIL SEAL 14X22X4	
52357250	52357250	1	PIN	
55157212	55157212	1	GRIP	
55157213	55157213	1	GRIP	
55242528	55242528	1	JOINT	
55248379	55248379	1	PTO JOINT	
55257313	55257313	1	ROLLER	
55257321	55257321	1	STOP	
58020258	58020258	1	GEAR RATIO TWITCH SPRING	
59057325	59057325	1	LEVER	
56156818N	56156818N	1	PULL ROD	
56156819N	56156819N	1	PULL ROD	



FERRARI Motor mowers, FERRARI 2-wheel tractors - 310 PS

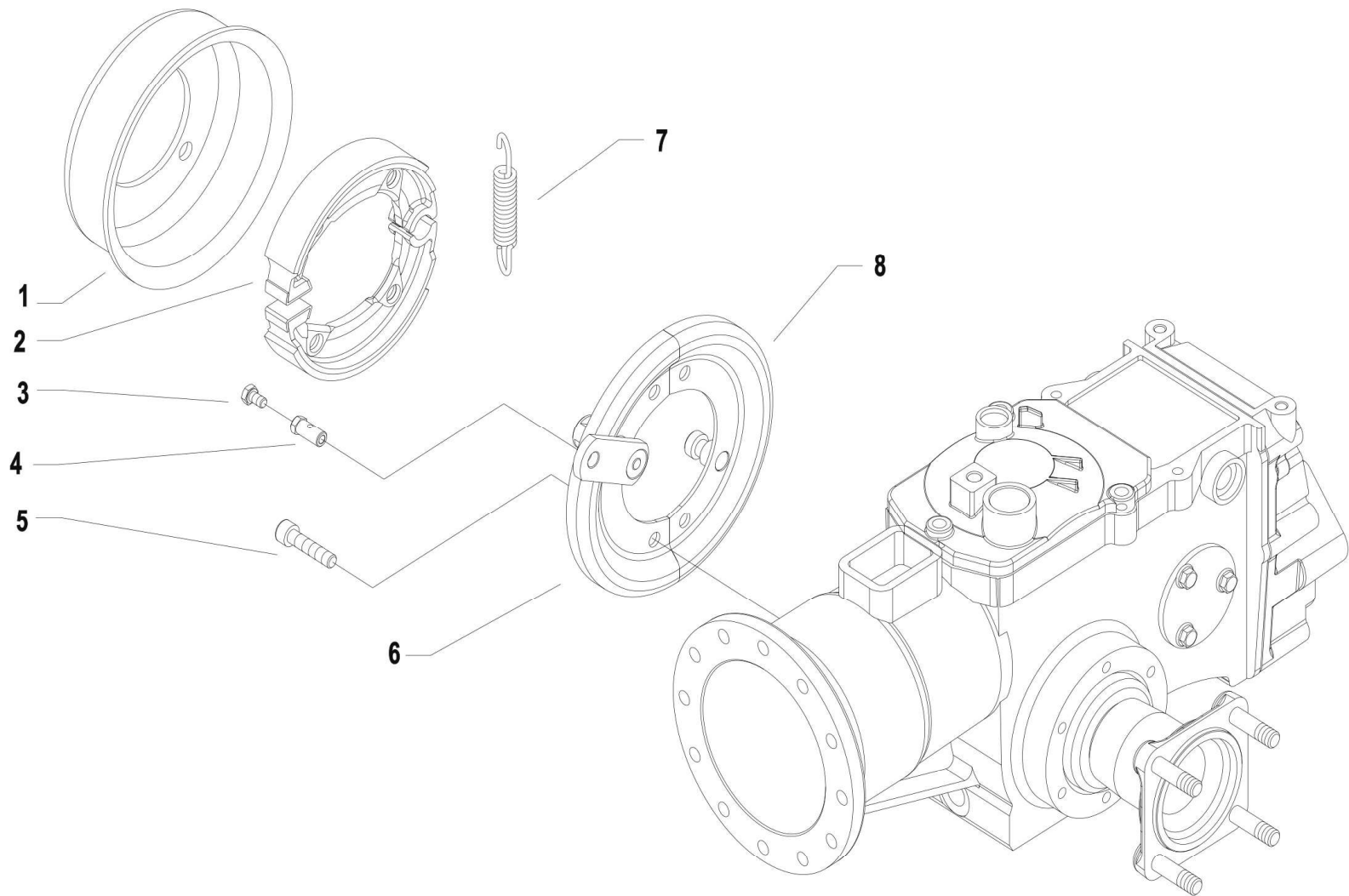
M01_0_67400 - CONTROLS

13/04/2021

Page 46 / 63

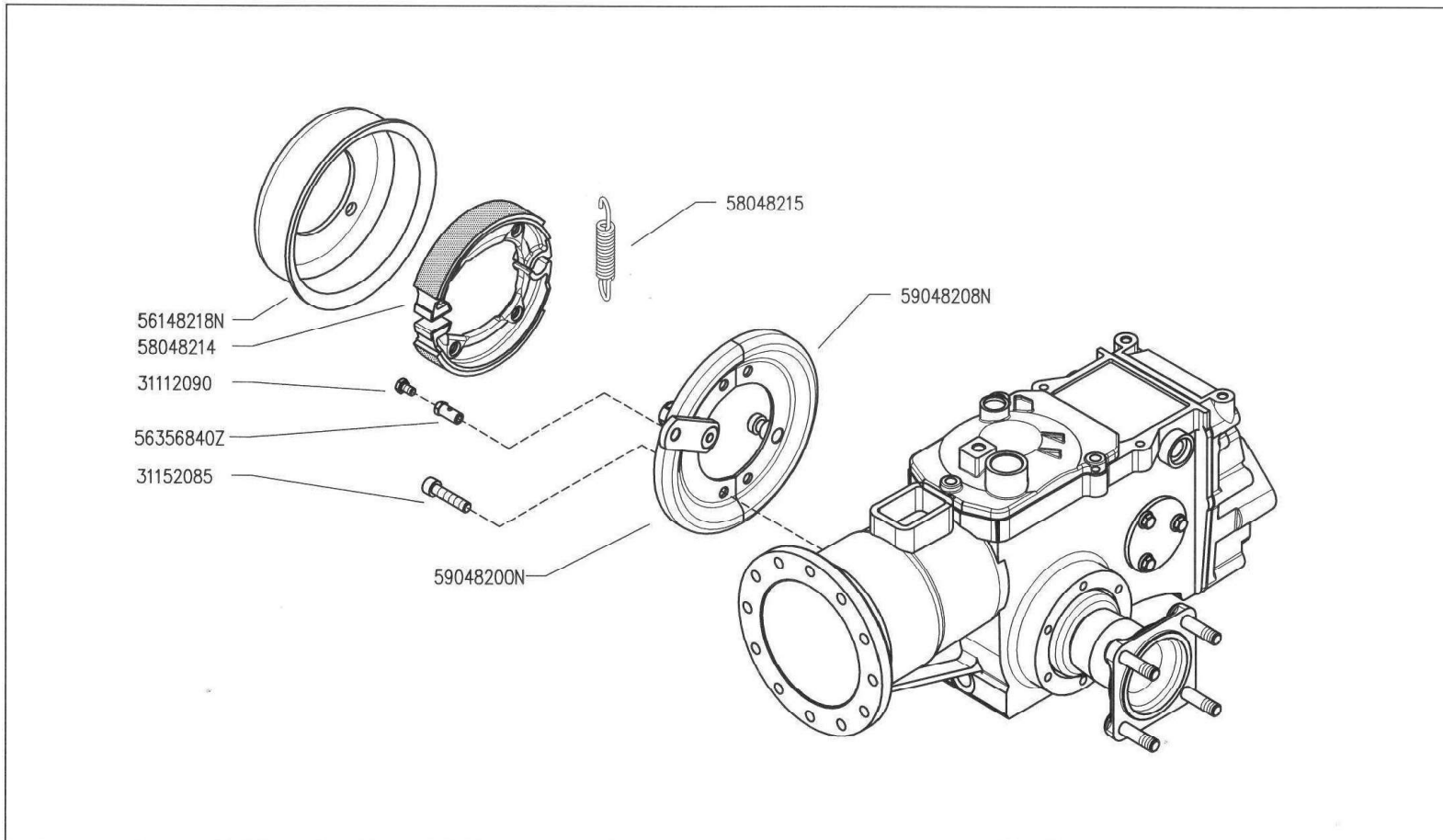
Pos.	Id	Q.ty	Description	Note
56157234H	56157234H	1	GEAR SELECTOR	
56157271N	56157271N	1	COMMAND LEVER	
56157323N	56157323N	1	PTO LEVER	
58057232Z	58057232Z	1	SPRING	
59056823V	59056823V	1	SUMP	
59056824N	59056824N	1	SUPPORT	
59057228N	59057228N	1	GEAR LEVER	
F0831193010	F0831193010	1	SPRING DM.15X70	





Pos.	Id	Q.ty	Description	Note
1	56148218N	1	BRAKE DRUM	
2	58048214	1	BRAKE BLOCK	
3	31112090	1	SCREW TE M6X16 UNI 5739 8G	
4	56356840Z	1	CLAMPING SCREW	
5	31152085	1	SCREW TCEI M8X25 UNI 5931	
6	59048200N	1	HALF DISC	
7	58048215	1	SPRING	
8	59048208	1	HALF DISC	





	300 serie PS PowerSafe®	BRAKE FRENO	FRENO (310-320)	FREIN BREMSE	DALLA MACCHINA DE LA MAQUINA DE LA MAQUINA FROM THE MACHINE AB DER MASCHINE	N.	Rev.	0
							05/2009	

DITEBCS - Scala 1:4

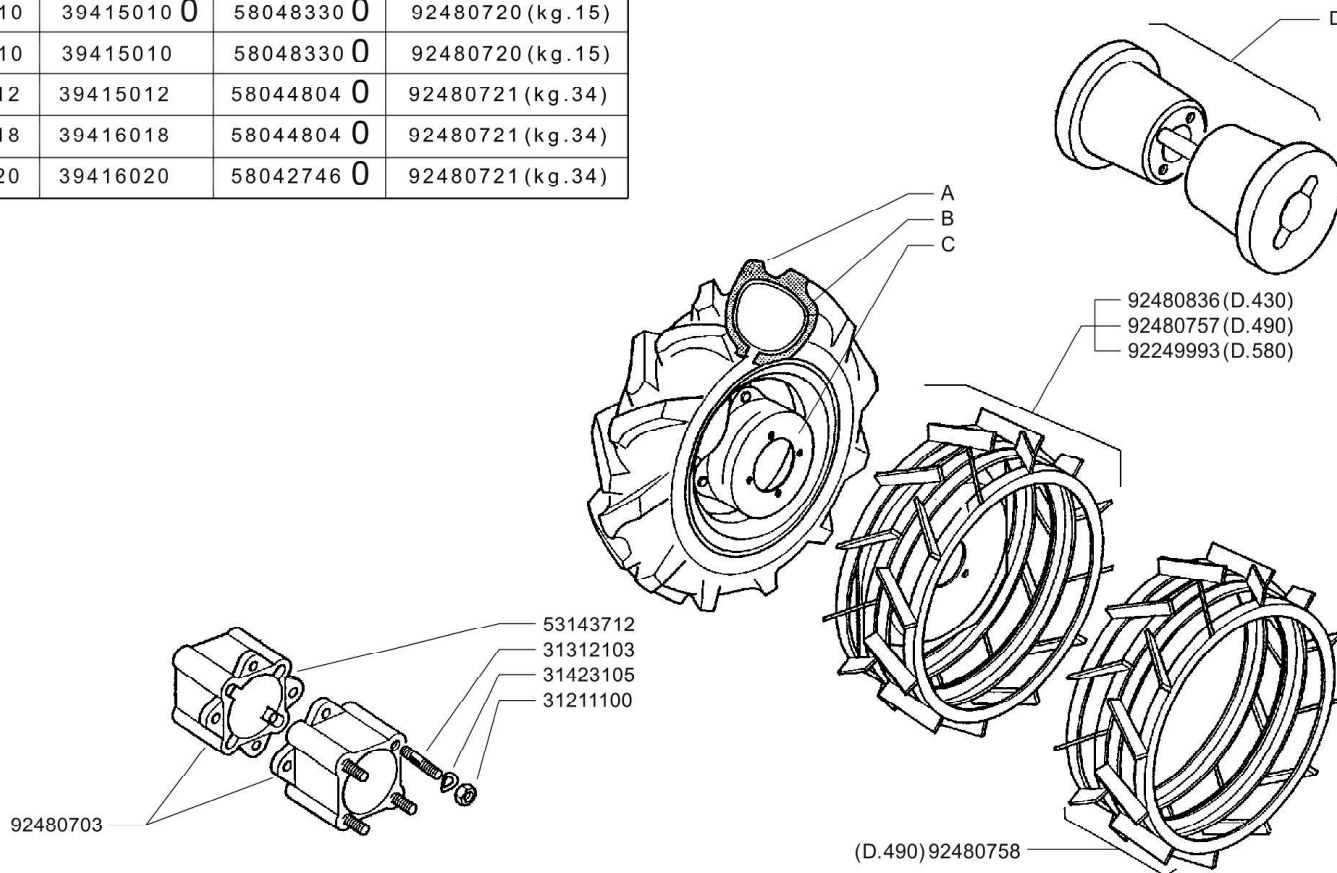


FERRARI Motor mowers, FERRARI 2-wheel tractors - 310 PS
N01_0_67516 - BRAKE

Pos.	Id	Q.ty	Description	Note
31112090	31112090	1	SCREW TE M6X16 UNI 5739 8G	
31152085	31152085	1	SCREW TCEI M8X25 UNI 5931	
58048214	58048214	1	BRAKE BLOCK	
58048215	58048215	1	SPRING	
56148218N	56148218N	1	BRAKE DRUM	
56356840Z	56356840Z	1	CLAMPING SCREW	
59048200N	59048200N	1	HALF DISC	
59048208N	59048208N	1	HALF DISC	



	A	B	C	D
4.00 - 8"	39114008	39414008	58043250 0	92480719 (kg.11)
4.0 - 10"	39114010	39415010 0	58048330 0	92480720 (kg.15)
5.0 - 10"	39115010	39415010	58048330 0	92480720 (kg.15)
5.00 - 12"	39115012	39415012	58044804 0	92480721 (kg.34)
6.5/80 - 12"	39116018	39416018	58044804 0	92480721 (kg.34)
6.5/80 - 15"	39116020	39416020	58042746 0	92480721 (kg.34)



FERRARI	300 serie PS <i>PowerSafe</i> ®	RUOTE	WHEELS RUEDAS	ROUES RÄDER	DALLA MACCHINA FROM THE MACHINE DE LA MACHINE DE LA MAQUINA AB DER MASCHINE	AGGIORNAMENTO	P01	Rev.
					0.N.	REVISION		1
						MISE A JOUR		
						APLAZAMIENTO		
						ANPASUNG	11/2010	ZENE



Pos.	Id	Q.ty	Description	Note
31211100	31211100	1	NUT M10	
31312103	31312103	1	STUD BOLT M10X46X24X16	
31423105	31423105	1	SPRING WASHER 10,5	
39114008	39114008	1	TYRE 4.00-8 2PR	
39114010	39114010	1	TYRE 4.0-10 2PR	
39115010	39115010	1	TYRE 5.00-10 2PR	
39115012	39115012	1	TYRE 5.00-12 2PR	
39116018	39116018	1	TYRE 6.5/80-12 2PR	
39116020	39116020	1	TYRE 6.5/80-15 4PR	
39414008	39414008	1	INNER TUBE X 4.00-8	
39414010	39414010	1	INNER TUBE x 4.0-10	
39415010	39415010	1	INNER TUBE X 4.0/5.0-10	
39415012	39415012	1	INNER TUBE	
39416018	39416018	1	INNER TUBE X 6-5/80-12	
39416020	39416020	1	INNER TUBE X 6.5/80-15	
53143712	53143712	1	SPACER	
58042746	58042746	1	RIM 5J15 CR	
58043250	58043250	1	RIM 2.50-8	
58044804	58044804	1	RIM 5JA12	
58048330	58048330	1	RIM 3.50D10 CR	
58052332	58052332	1	RIM 5J15 CR	
92249993	92249993	1	STEEL CAGE WHEELS D. 58 (PAIR)	
92480703	92480703	1	SPACER CM. 6 FOR WHEELS (PAIR)(0901012301)	
92480719	92480719	1	WEIGHTS KG. 11 FOR WHEELS 4.00-8 FOR 305/306 (PAIR)	
92480720	92480720	1	WEIGHTS KG. 15 FOR WHEELS 4.0-10 AND 5.0-10 FOR 305/306/307 (PAIR)	
92480721	92480721	1	WEIGHTS KG. 34 FOR WHEELS 5.00-12 / 6.5/80-12 (PAIR) (0901012307)	
92480757	92480757	1	CAGE WHEELS DIAM. CM. 49 FOR 306/30 (PAIR) (0901012315)	
92480758	92480758	1	ADAPTER RINGS FOR MOUNTING STEEL CAGE WHEELS CM. 49 (PAIR)	
92480836	92480836	1	STEEL CAGE WHEELS DIAM. 43 CM.	

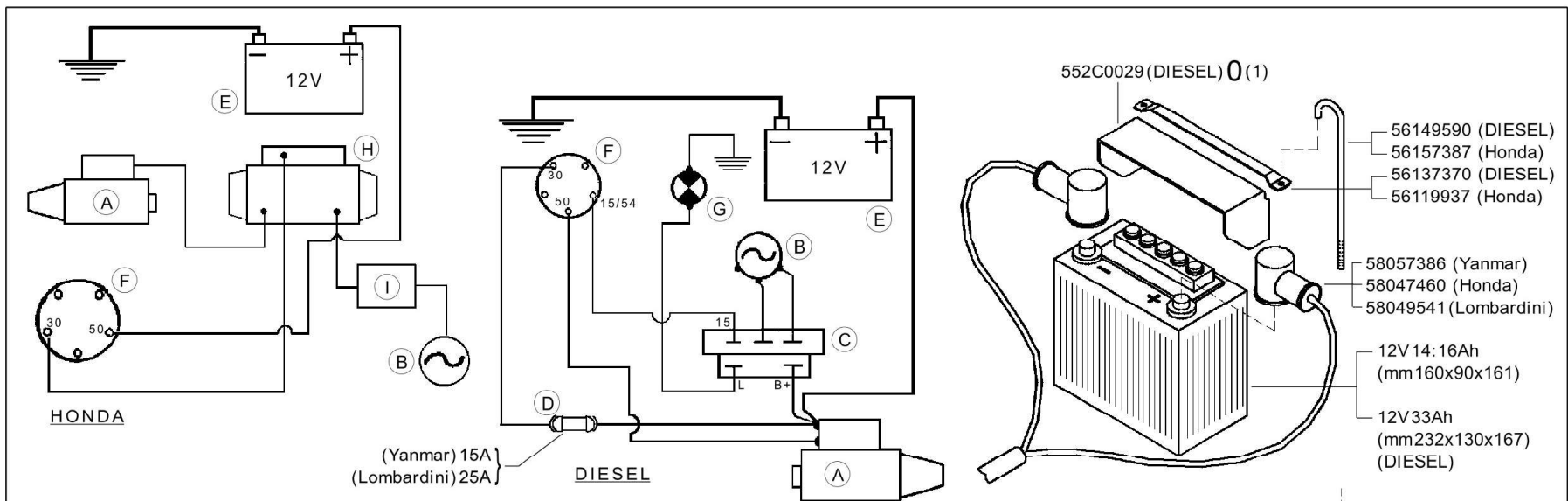


FERRARI Motor mowers, FERRARI 2-wheel tractors - 310 PS

P01_1_81340 - WHEELS

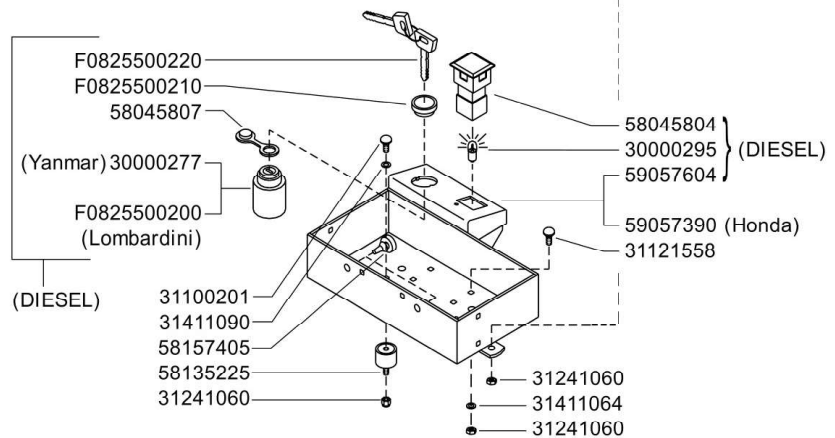
13/04/2021

Page 53 / 63



A	B	C	D
MOTORINOD'AVVIAMENTO STARTER DÉMARREUR MOT. DE ARRANQUE ANLASSMOTOR	GENERATORE GENERATOR GÉNÉRATEUR GENERADOR GENERATOR	REGOLATORE REGULATOR RÉGULATEUR REGULADOR REGLER	FUSIBILI FUSES FUSIBLES FUSIBLES SCHMELZSICHERUNGEN

E	F	G	H	I
BATTERIA BATTERY BATTERIE BATERIA BATTERIE	INTERRUTTORE SWITCH INTERRUPTEUR INTERRUPTOR SCHALTER	SPIACARICABATTERIA BATTERY LONG WARN. LIGHT TEMOIN CHARG. BATTERIE LUZ CARGA BATERIA BATTERIE LADUNGKTRL. LAMPE	SOLENOIDE SOLENOID SOLÉNOÏDE SOLENOIDE SOLENOID	DIODO DIODE DIODE DIODE DIODE



(1) sostituisce 58057610

	300 serie PS <i>PowerSafe</i> ®	AVVIAMENTO ELETTRICO		DALLA MACCHINA FROM THE MACHINE DE LA MACHINE DE LA MAQUINA AB DER MASCHINE	Rev. 1
		ELECTRIC STARTER ARRANQUE ELECTRICO	DÉMARRAGE ELECTRIQUE ELEKTROSTART		



Pos.	Id	Q.ty	Description	Note
30000277	30000277	1	SWITCH	
30000295	30000295	1	LAMP 12V-5W-W2,1X9,5D	
31100201	31100201	1	SCREW TTQ M6X12 UNI 5731	
31121558	31121558		SCREW TTQ M6X16 UNI 5731	
31241060	31241060	1	HEXAGON SELFLOCK NUT M6	
31411064	31411064	1	WASHER 6,4x12,5	
31411090	31411090	1	WASHER 9x24	
552C0029	552C0029	1	COVER	
56119937	56119937	1	BATTERY SUPPORT	
56137370	56137370	1	BATTERY BRACKET	
56149590	56149590	1	BATTERY BRACKET	
56157387	56157387	1	ROD	
58045804	58045804	1	WARNING LIGHT	
58045807	58045807	1	LOCK COVER	
58047460	58047460	1	WIRING	
58049541	58049541	1	WIRING	
58057386	58057386	1	WIRING	
58135225	58135225		VIBRATION-DAMPING	
58157405	58157405	1	PLUG	
59057390	59057390	1	BOX	
59057604	59057604	1	BOX	
F0825500200	F0825500200	1	CHANGE-OVER SWITCH	
F0825500210	F0825500210	1	RING NUT	
F0825500220	F0825500220	1	KEY	



PowerSafe®

1

EasyDrive®

2



3



4



5



6



7



8



9



10



11



12



13

Pos.	Id	Q.ty	Description	Note
1	53057666	1	POWERSAFE BRAND	
2	53057670	1	DECAL	
3	53052175	1	MEDIUM FERRARI BRAND	
4	530C0056	1	DECAL MADE IN ITALY	
5	53052176	1	BIG FERRARI BRAND	
6	58052178	1	DECAL 310 /11	
7	58052179	1	DECAL 320 /11	
8	58052193	1	DECAL 328 /11	
9	58052180	1	DECAL 330 /11	
10	58052192	1	DECAL 338 /11	
11	58052181	1	DECAL 340 /11	
12	58052182	1	DECAL 346 /11	
13	58052191	1	DECAL 360 /11	




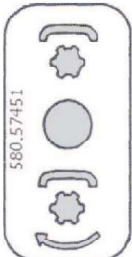
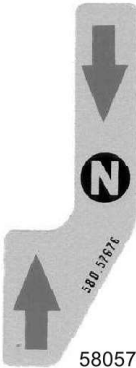
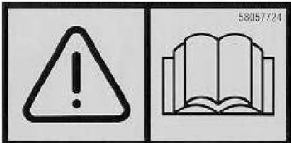

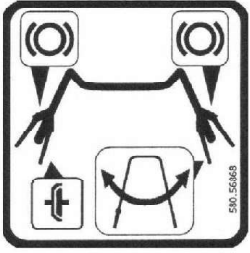
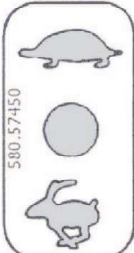




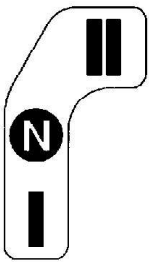

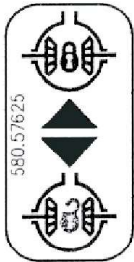

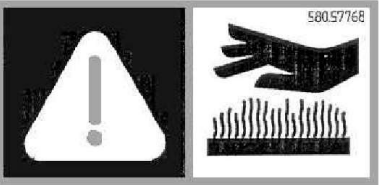



FERRARI Motor mowers, FERRARI 2-wheel tractors - 310 PS

R.02.01.A0003_02 - STICKERS

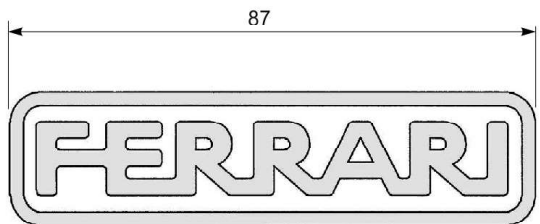
13/04/2021

Page 57 / 63

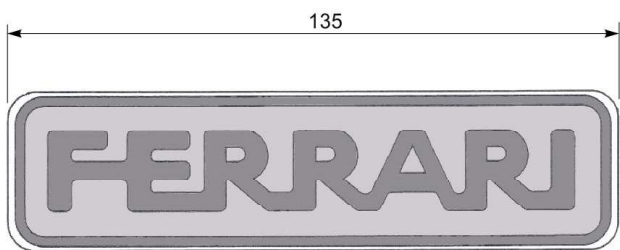
 58056864	 58056866	 58057746	 58057451	 58057676	 58057724	
 58056867	 58056868	 58057450	 58057748	 58057677	 58057767	
 58056869	 58057732	 58057747	 58057625	 58093089	 58057768	
	300 serie PS PowerSafe®	STICKERS ADHESIVOS	ADESIME	AUTOCOLLANTS AUFKLEBES	DALLA MACCHINA FROM THE MACHINE DE LA MACHINE DE LA MAQUINA AB DER MASCHINE N.	Rev. R01 0 05/2009

Pos.	Id	Q.ty	Description	Note
58056864	58056864	1	DECAL	
58056866	58056866	1	DECAL	
58056867	58056867	1	DECAL	
58056868	58056868	1	DECAL	
58056869	58056869	1	DECAL	
58057450	58057450	1	DECAL	
58057451	58057451	1	DECAL	
58057625	58057625	1	DECAL	
58057676	58057676	1	DECAL	
58057677	58057677	1	DECAL	
58057724	58057724	1	DECAL	
58057732	58057732	1	DECAL	
58057746	58057746	1	DECAL	
58057747	58057747	1	DECAL	
58057748	58057748	1	DECAL	
58057767	58057767	1	DECAL	
58057768	58057768	1	DECAL	
58093089	58093089	1	DECAL	

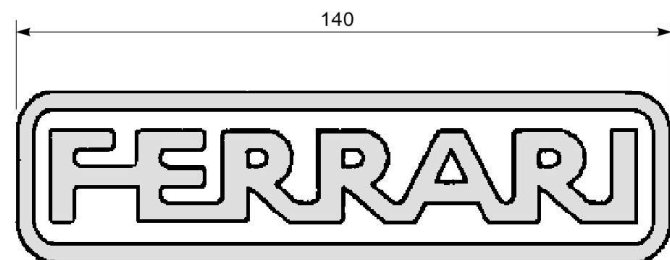




58052019



53052176 U



58052029



53057666



58052037



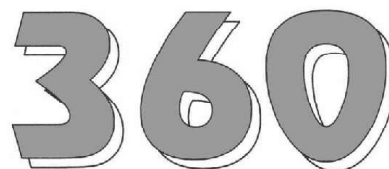
58052038



58052039



58052047



58052191 0



58052152

FERRARI

300 serie PS
PowerSafe®

STICKERS
ADHESIVOS

ADESIVE

AUTOCOLLANTS
AUFKLEBES

DALLA MACCHINA
FROM THE MACHINE
DE LA MACHINE
DE LA MAQUINA
AB DER MASCHINE

0N.

AGGIORNAMENTO
REVISION
MISE A JOUR
APLAZAMIENTO
ANPASUNG

R02

Rev.

1

11/2010

REV.



Pos.	Id	Q.ty	Description	Note
53052176	53052176	1	BIG FERRARI BRAND	
53057666	53057666	1	POWERSAFE BRAND	
58052019	58052019	1	DECAL	
58052029	58052029	1	DECAL	
58052037	58052037	1	DECAL 310 TRENDY	
58052038	58052038	1	DECAL 320 TRENDY	
58052039	58052039	1	DECAL 330 TRENDY	
58052047	58052047	1	DECAL 340 TRENDY	
58052152	58052152	1	DECAL 346	
58052191	58052191	1	DECAL 360 /11	

