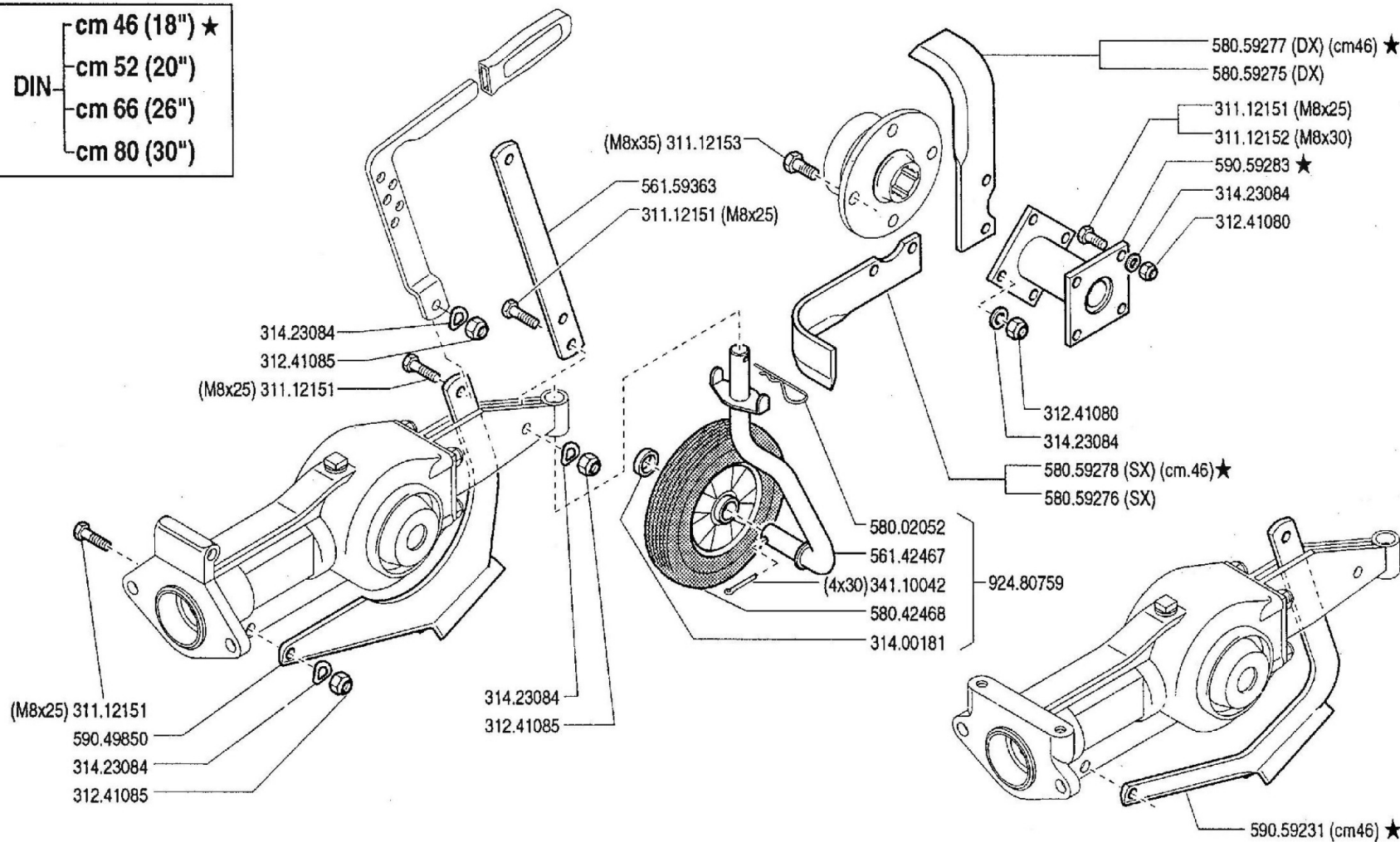


DIN

- cm 46 (18") ★
- cm 52 (20")
- cm 66 (26")
- cm 80 (30")



**FERRARI**

ATTREZZI ED ACCESSORI  
 IMPLEMENTS AND ACCESSORIES  
 OUTILS ET ACCESSOIRES  
 APEROS Y ACCESORIOS  
 ARBEITSGERÄTE UND ZUBEHÖR

**300/500** serie 95

**COLTELLI FRESA**

ROTARY HOE KNIVES  
 CUCHILLAS FRESADORA

COUTEAUX FRAISE  
 FRÄSERMESSER

DALL' ATTREZZO  
 DESDE EL APERO  
 DE L' OUTIL  
 FROM VOLEVENT  
 AB ARBEITSGERÄT

★N.

AGGIORNAMENTO
REVISION
MISE A JOUR
APLAZAMIENTO
ANPASSUNG

**07**

Mod.  
**01**

**10/1997**

ZENITH

**FERRARI**

FERRARI Motor mowers, FERRARI 2-wheel tractors - ROTARY HOE KNIVES

**007\_1\_227 - ROTARY HOE KNIVES**

29/08/2021

Page 1 / 1